

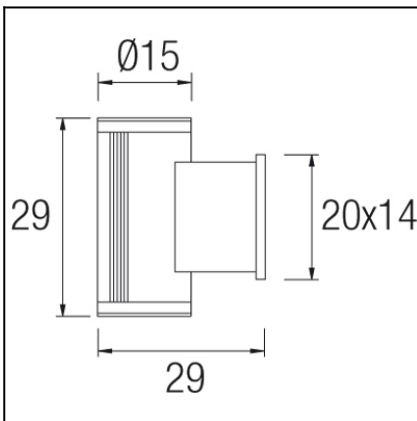
OUT 

AFRODITA

05-9204-Z5-B8



The photograph may not match the reference exactly. Please read the product description to identify the finish.

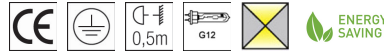


DESCRIPTION

Straight edged lamp designed for lighting vertical surfaces. Injected aluminium body and tempered glass diffuser. Available in various sizes and finishes: white, light grey, dark grey and brown. Available in different wattages for metal halide lamps, LED and fluorescent lights.

TECHNICAL CHARACTERISTICS

Type:	Wall fixture
IP Protection degrees:	IP65
IK Protection degrees:	IK08
Lampholder:	1 x G12
Power (W):	G12 HIT-T-70W
Voltage / Frequency:	230V/50Hz
Units per box:	2
Net Weight (Kg):	5.175
EAN:	8435111044698



MATERIALS / FINISHES

Structure material: Injected aluminium

Diffuser material: Glass

Structure finish: Urban grey

Diffuser finish: Tempered

GEAR

Gear included: Yes, Magnetic

