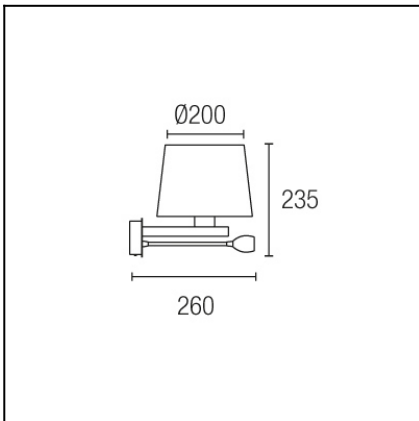


Design by Nahtrang Design


The photograph may not match the reference exactly. Please read the product description to identify the finish.


TECHNICAL CHARACTERISTICS

Type:	Wall fixture
Adjustable $\pm 45^\circ$ on the horizontal axis.	
IP Protection degrees:	IP20
Lampholder:	1 x E27 1 x LED Cree. Warm White - 3000K
Power (W):	E27 60 3
Angle of the optics:	30°
Voltage / Frequency:	220-240V/50-60Hz
Units per box:	8
Net Weight (Kg):	0.58
EAN:	8435111086643


MATERIALS / FINISHES

Structure material: Steel

Structure finish: Satin nickel

GEAR

Multi-voltage electronic gear included (110-240 V / 50-60 Hz)