

## IMPORTANT - Please read before installation

### Please read these instructions carefully before starting installation and keep in a safe place for future reference.

Check the contents of the pack carefully before installation. Simpsons will not be held responsible for any de-fit / re-fit costs where faulty product has been fitted.

If any fault is found with materials or workmanship, it must be reported immediately to the manufacturer. Remedial action will be taken, based on information received, on condition that: 1. Full details are supplied to the manufacturer; 2. The enclosure has not been modified or tampered with; 3. The manufacturer is informed of any damage/shortages prior to installation.

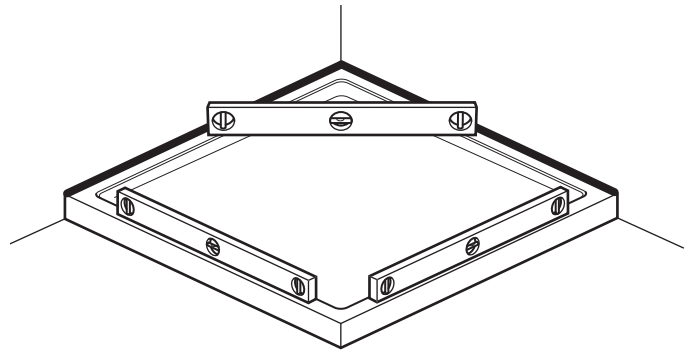
We do not accept responsibility for any problems that may occur through incorrect installation.

The success of the installation and operation of any shower enclosure is, of course, dependant on the squareness, alignment and construction of the walls to which fixing is to be carried out.

Due to the weight of the glass panels this product should be fixed to a solid wall.

### VERY IMPORTANT

You must complete all tiling and grouting, and the shower tray (if used) **MUST** be level and fully sealed to the tiles before installation. If you do not fit the enclosure onto a tiled surface, or seal the tiles to the tray before installation, water may soak into the wall behind the wall channels.



## INSTALLATION - Advice and safety

The installation instructions are based on typical use and conditions.

### Please follow the installation instructions relevant to your enclosure.

These hints have been prepared for your guidance, you must exercise due care at all times.

It is strongly recommended that 2 people carry out the installation of this enclosure.

Handle glass with care. Although the glass supplied is toughened safety glass (to EN12150), impacts can damage both the glass and the frame.

**Warning!** Please check for any hidden pipes or cables before drilling holes in the wall.

To stop the drill bit slipping, masking tape can be applied to the tiles when preparing the holes.

When using power tools always follow the manufacturers user instructions.

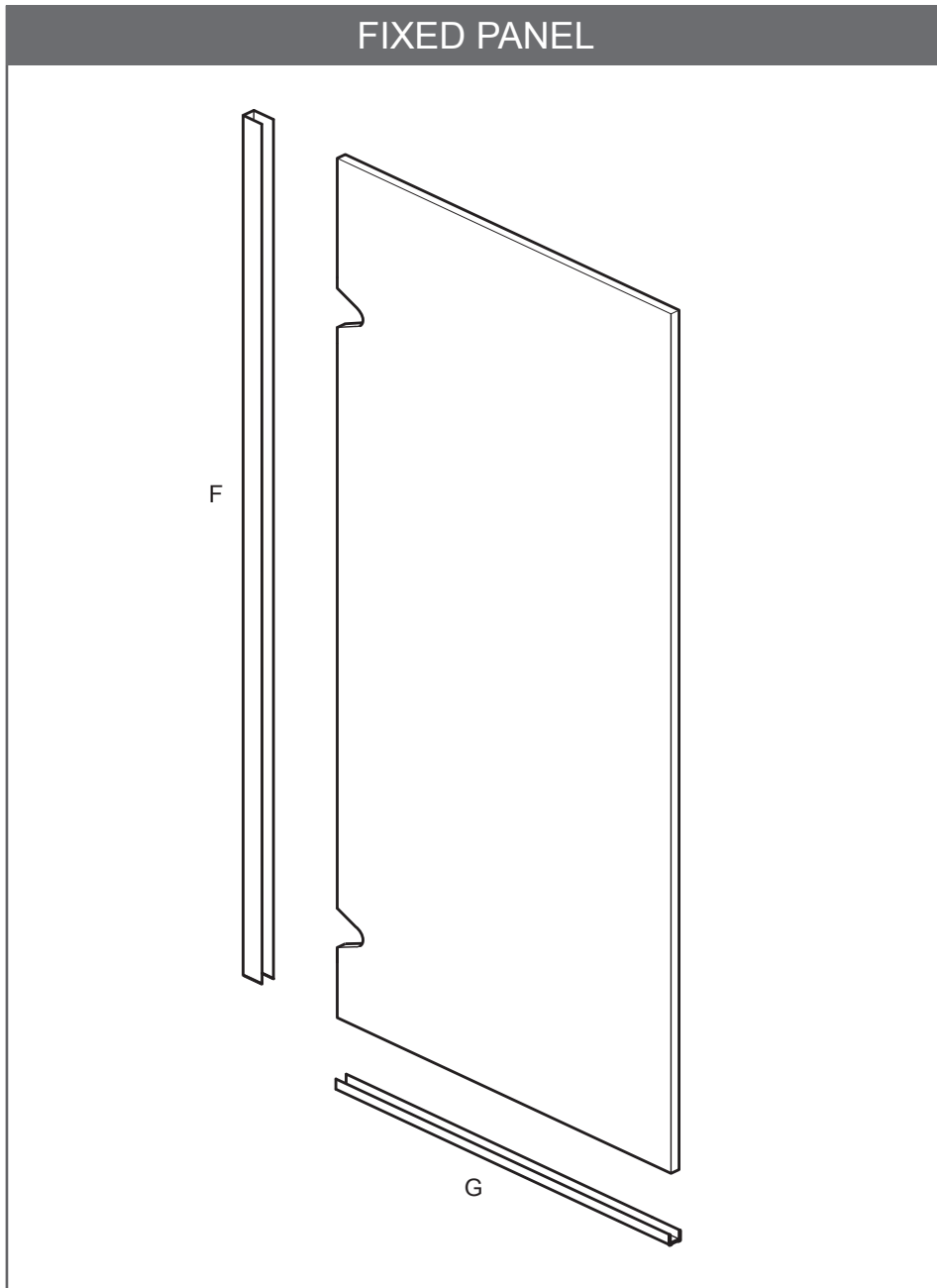
Leave the silicone sealant to dry for 24 hours before using the enclosure.

## CARE AND CLEANING

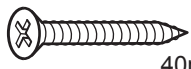
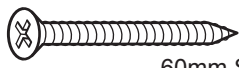
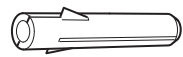
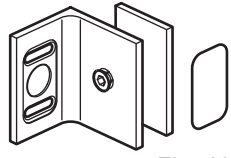
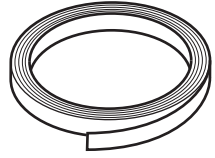
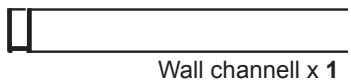
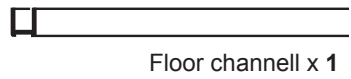
Do not use solvents or abrasive materials or chemicals to clean the enclosure.

Only clean using soapy water and a soft cloth, rinse thoroughly afterwards.

# CONTENTS



## FIXED PANEL

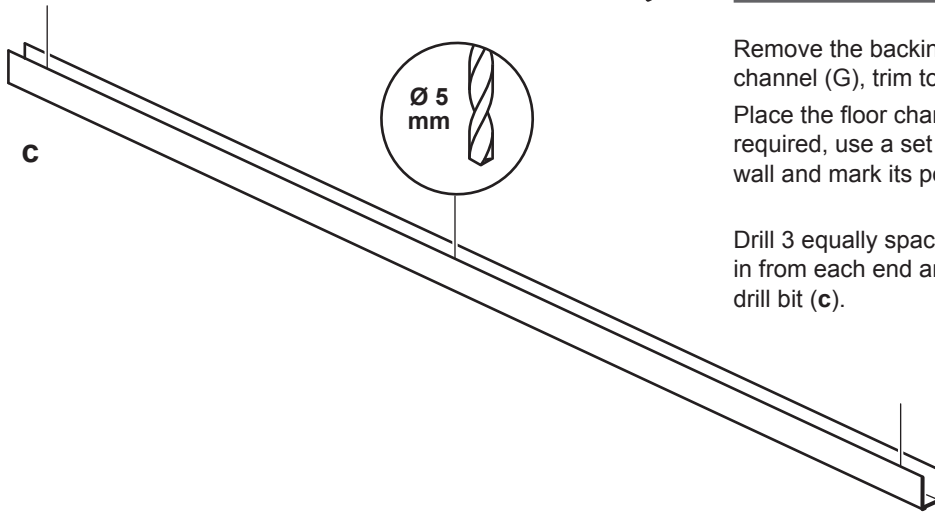
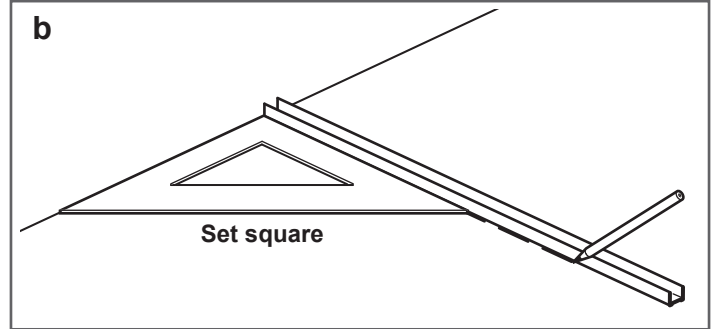
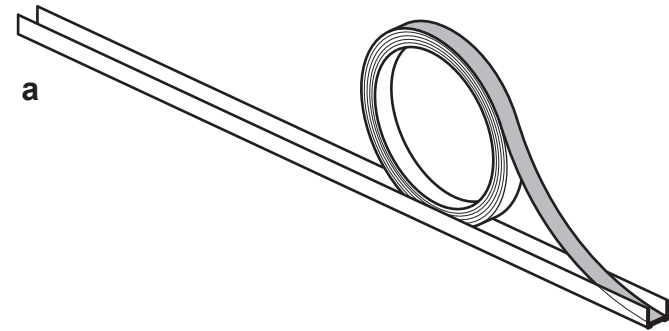
A		40mm Screw x 3
B		60mm Screw x 4
C		Wall plug x 7
D		Fixed bracket x 2
E		Gasket tape x 1
F		Wall channel x 1
G		Floor channel x 1

## Tools and equipment needed

Drill, 5mm General drill bit, 6mm Masonry drill bit, Phillips screwdriver, Ruler, Fine tooth hacksaw, 4mm Allen key, Spirit level, Scissors/Sharp knife, Set square etc, Pencil, Washing up liquid, Silicone sealant.

## FIXED PANEL

### Step 1



Remove the backing and stick the gasket tape (E) into the floor channel (G), trim to fit (a).

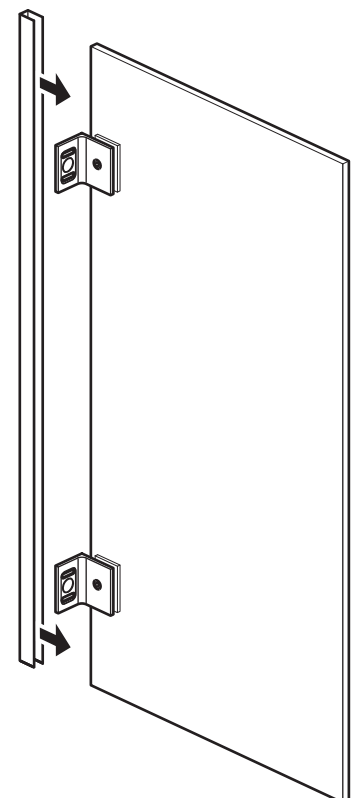
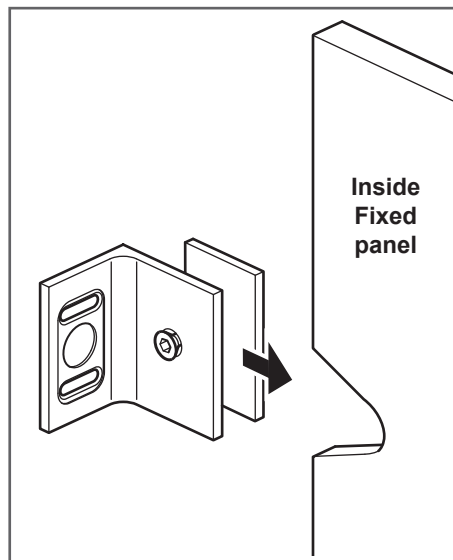
Place the floor channel in the required position on the floor. If required, use a set square to ensure it is at a right angle to the wall and mark its position onto the floor (b).

Drill 3 equally spaced holes through the wall channel (F), 50mm in from each end and the remaining 1 in the middle, using a 5mm drill bit (c).

### Step 2

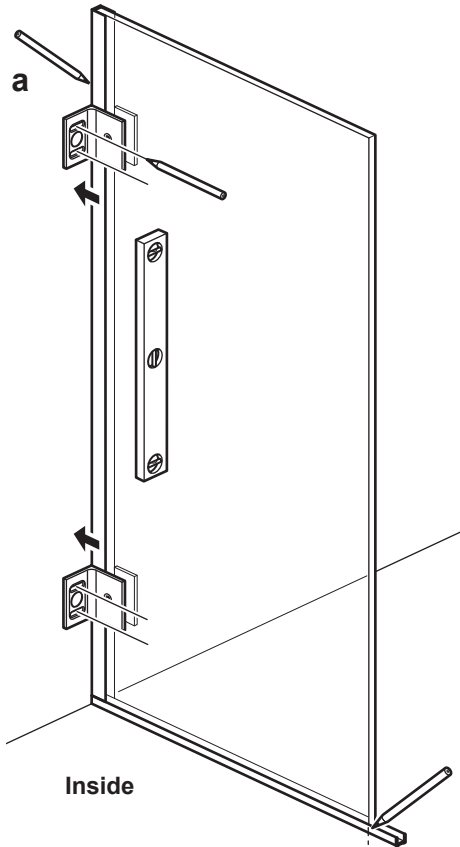
Loosen the allen screws and attach both fixed brackets (D) to the inside of the fixed panel. Lightly tighten onto the panel using a 4mm allen key.

Slide the wall channel (F) onto the back edge of the fixed panel with the top of the wall channel flush with the top of the panel.



## FIXED PANEL

### Step 3

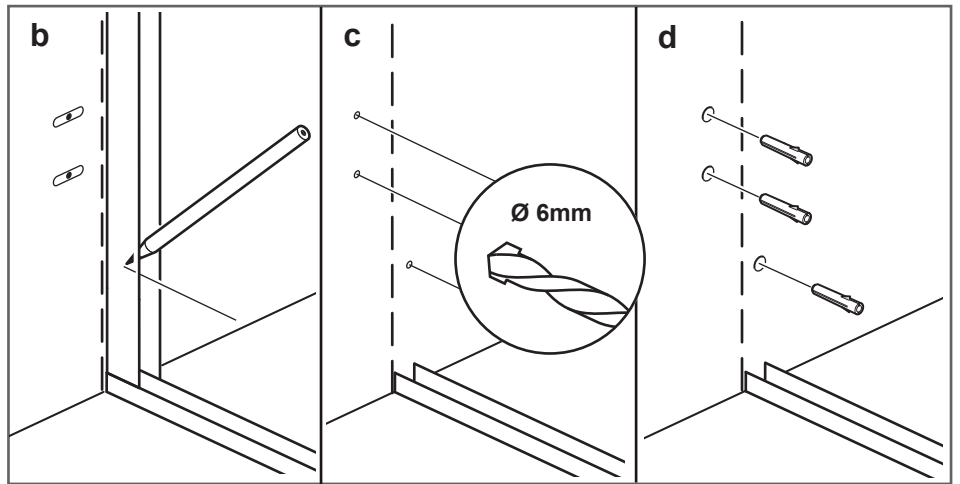


Check the floor channel (G) is in position, with help carefully lift and place the panel into the floor channel and up against the wall (a).

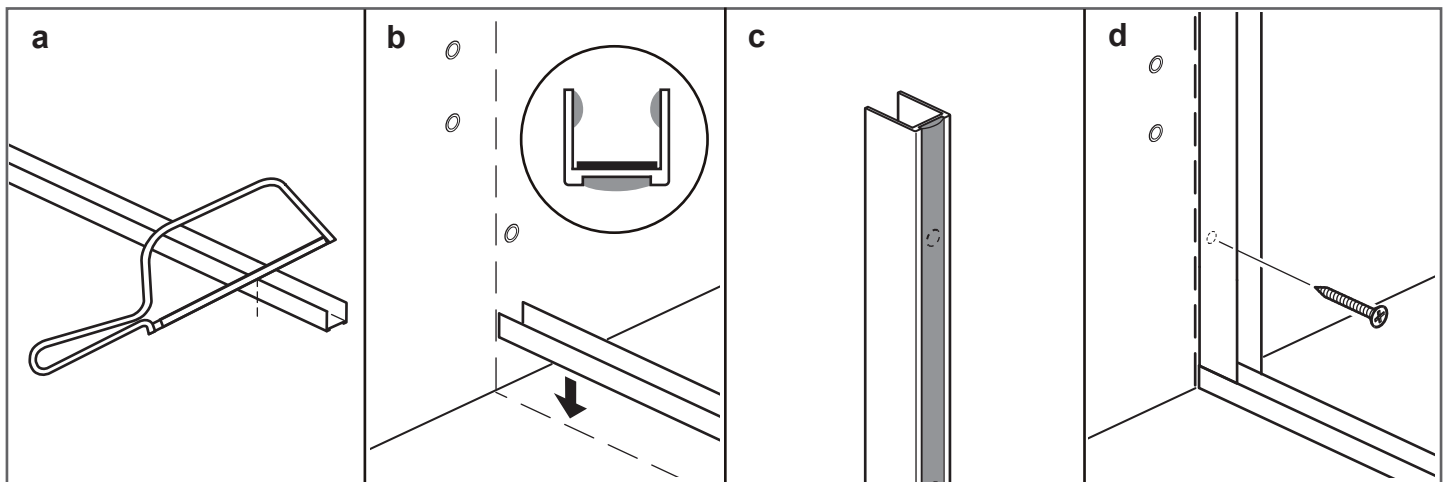
Position the fixed brackets and wall channel (F) flat against the wall. Use a spirit level to ensure the panel is vertical. Mark the brackets fixing holes and the edge of the wall channel onto the wall. If the floor channel (G) is longer than required, mark any excess. Carefully remove the panel from the floor channel (a).

Remove the wall channel (F) from the panel and reposition against the wall where marked. Mark all 3 wall channel fixing holes onto the wall (b).

Drill holes in the marked positions (for the wall channel and fixed brackets) using a 6mm masonry drill bit (c). Insert wall plugs (C) into all of the holes (beyond the thickness of the tile) (d).



### Step 4



If required cut the floor channel (G) to length (a). **Note:** Wipe washing up liquid along the top of the gasket tape stuck inside the floor channel, this will help to slide the fixed panel once it is positioned in the floor channel.

Run a line of silicone sealant along the underside of the floor channel and 2 lines of silicone sealant along the inside edges where shown. Reposition the floor channel, push down into place and remove any excess sealant (b).

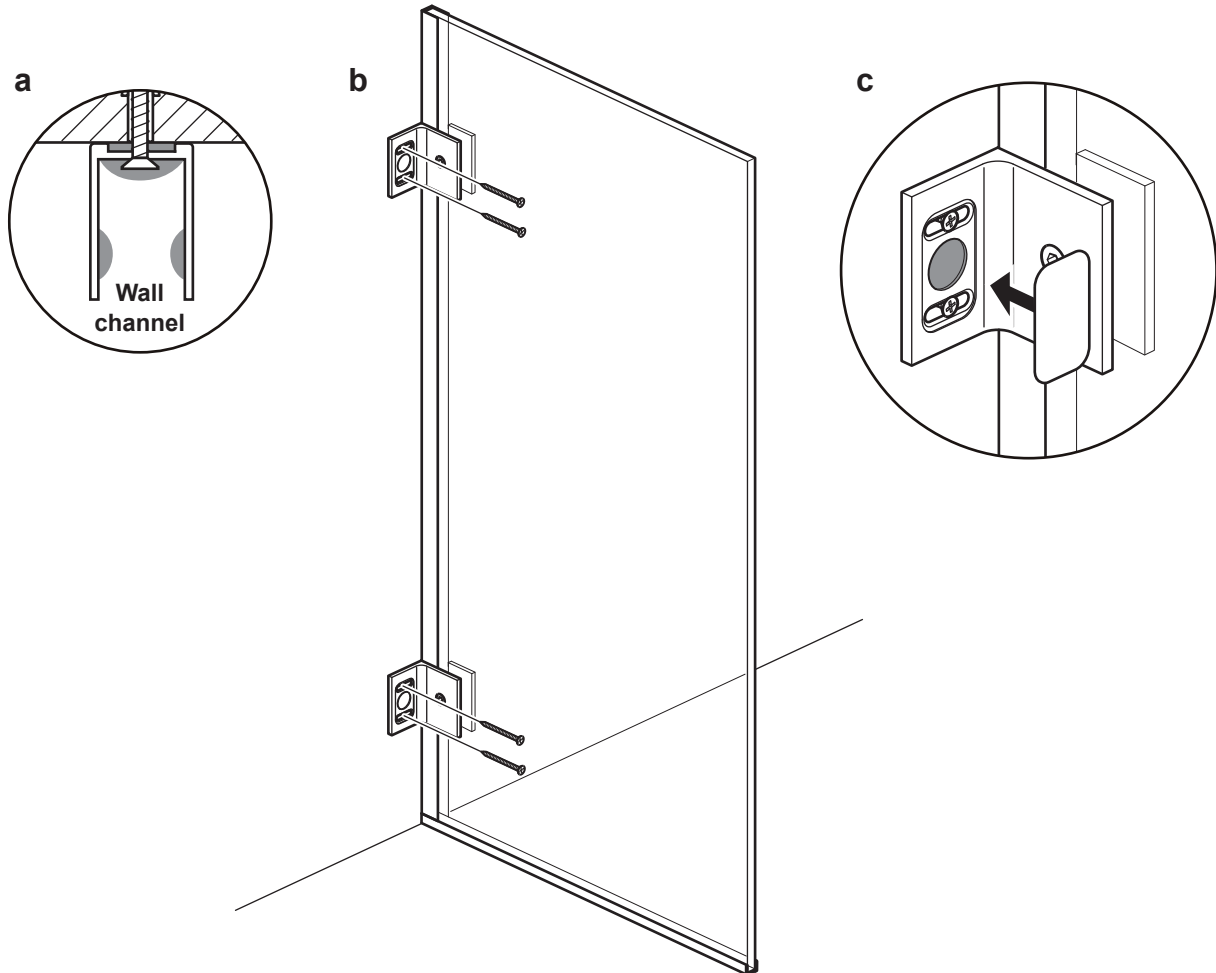
Run a line of silicone sealant along the back of the wall channel (F) (c).

**Note:** Inject silicone sealant into the holes before inserting the screws to seal the holes.

Position the wall channel (in the marked position) and fix to the wall using 3 x 40mm screws (A) (d).

## FIXED PANEL

### Step 5



Seal over the screw heads that fix the wall channel (F) to the wall, run 2 lines of silicone sealant along the inside edges where shown (a).

Carefully reposition the fixed panel into the floor channel and wall channel. Fix the brackets to the wall using 60mm screws (B) (b).

**Note:** It is recommended that the bracket bolts are tightened onto the glass to a torque of 9-10 Nm.

Once fitted place a small blob of silicone sealant onto each fixed bracket (where shown) and push on the fixed bracket covers (c).

Remove any excess silicone sealant. Leave the silicone sealant to dry for 24 hours before using the enclosure.