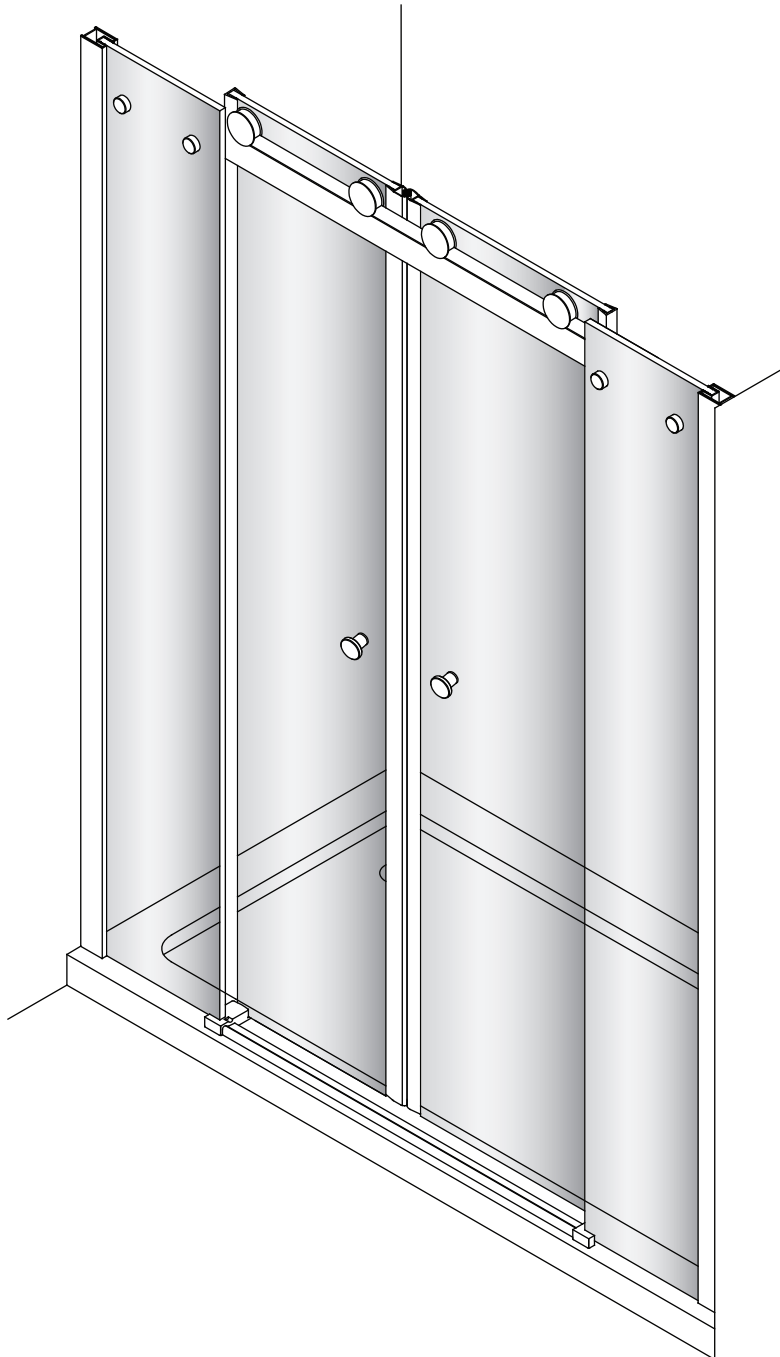


CENTRAL SLIDER DOUBLE DOOR

CDLSC1200
CDLSC1400
CDLSC1700



INSTALLATION INSTRUCTIONS

simpsons 

IMPORTANT - Please read before installation

Please read these instructions carefully before starting installation and keep in a safe place for future reference.

Check the contents of the pack carefully before installation. Simpsons will not be held responsible for any de-fit / re-fit costs where faulty product has been fitted.

If any fault is found with materials or workmanship, it must be reported immediately to the manufacturer. Remedial action will be taken, based on information received, on condition that:

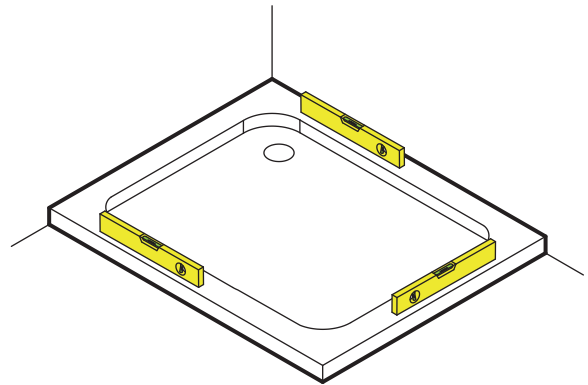
1. Full details are supplied to the manufacturer;
2. The enclosure has not been modified or tampered with;
3. The manufacturer is informed of any damage/shortages prior to installation.

We do not accept responsibility for any problems that may occur through incorrect installation.

The success of the installation and operation of any shower enclosure is, of course, dependant on the squareness, alignment and construction of the walls to which fixing is to be carried out.

VERY IMPORTANT

You must complete all tiling and grouting, and the shower tray **MUST** be level and fully sealed to the tiles before installation. If you do not fit the enclosure onto a tiled surface, or seal the tiles to the tray before installation, water may soak into the wall behind the wall profiles.



INSTALLATION - Advice and safety

The installation instructions are based on typical use and conditions.

These products come with the two wall channels pushed onto each side of the glass panel frame.

These hints have been prepared for your guidance, you must exercise due care at all times.

For Health and Safety 2 people must carry out the installation of this enclosure.

Handle glass with care. Although the glass supplied is toughened safety glass (EN12150), impacts can damage both the glass and the frame.

Warning!

Please check for any hidden pipes or cables before drilling holes in the wall.

To stop the drill bit slipping, masking tape can be applied to the tiles when preparing the holes.

When using power tools always follow the manufacturers user instructions.

Do not sit the enclosure on a bed of silicone, as this will also stop any water from draining back into the tray.

If the enclosure is sealed to the tray on the inside, any water that may get into the framework will not be able to drain back into the tray, this may cause the enclosure to leak.

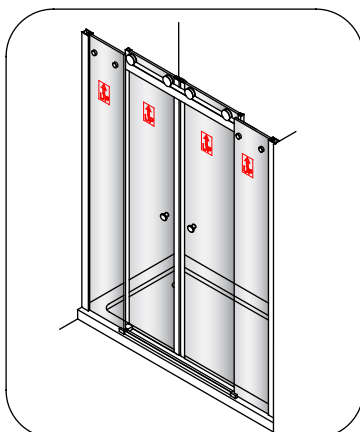
Leave the silicone sealant to dry for 24 hours before using the enclosure.

CARE AND CLEANING

Do not use solvents or abrasive material or chemicals to clean the enclosure.

Only clean using soapy water and a soft cloth, rinse thoroughly afterwards.

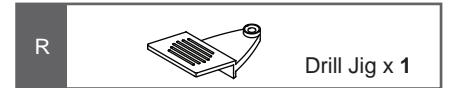
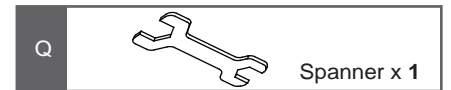
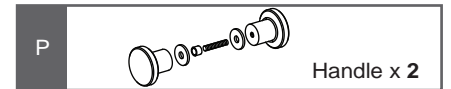
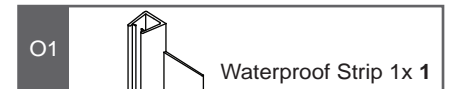
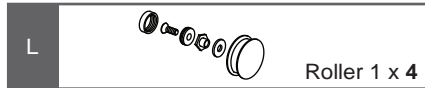
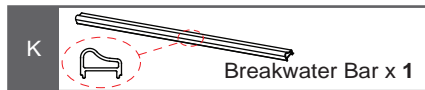
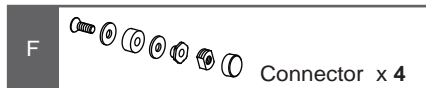
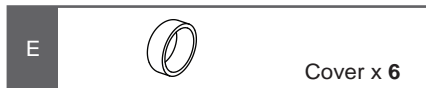
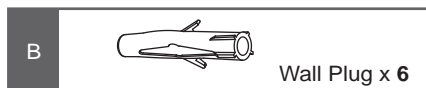
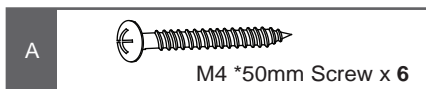
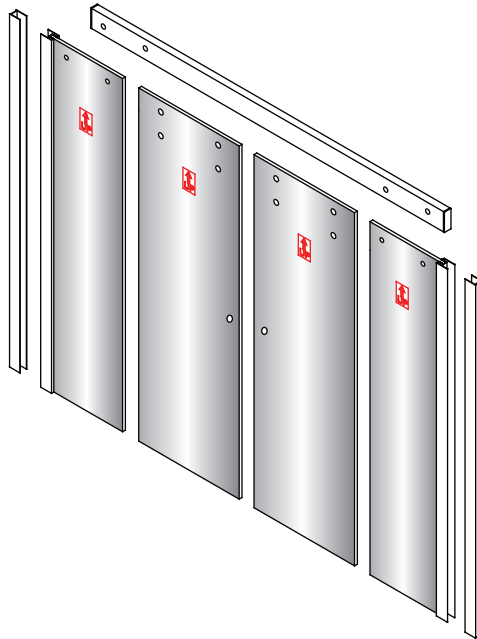
INSTALLATION



- The "up" arrow on the sliding door should be above, and be on the outside of the enclosure.

CONTENTS

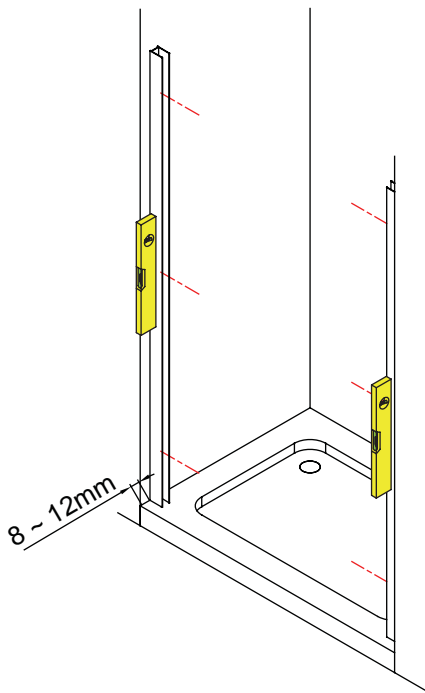
SLIDER DOOR



Tools and equipment needed

Drill, 6mm Masonry drill bit, 3.2mm General drill bit, Philips screwdriver, Spirit level, Pencil, Tape measure, Silicone sealant.

Step 1 - FITTING AND POSITIONING WALL CHANNEL

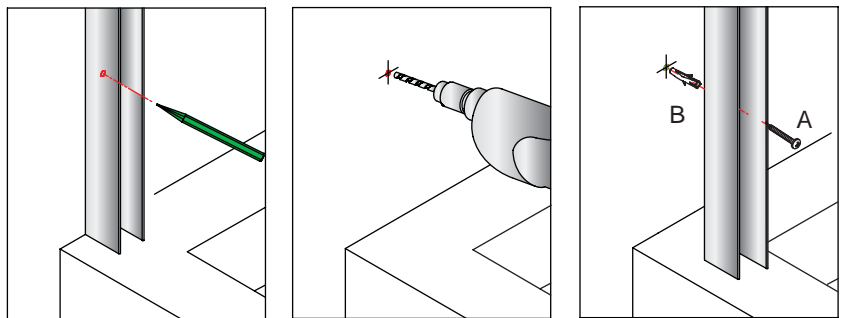


Remove both wall channels from the glass panel frames.
Place each wall channel in position on the tray (8 - 12mm in from the outer edge of the tray), use a spirit level to ensure that they are vertical and mark all 6 fixing holes onto the walls.

Drill holes in the positions marked using a 6mm masonry drill bit. Insert wall plugs (B) into all of the holes (beyond the thickness of the tile).

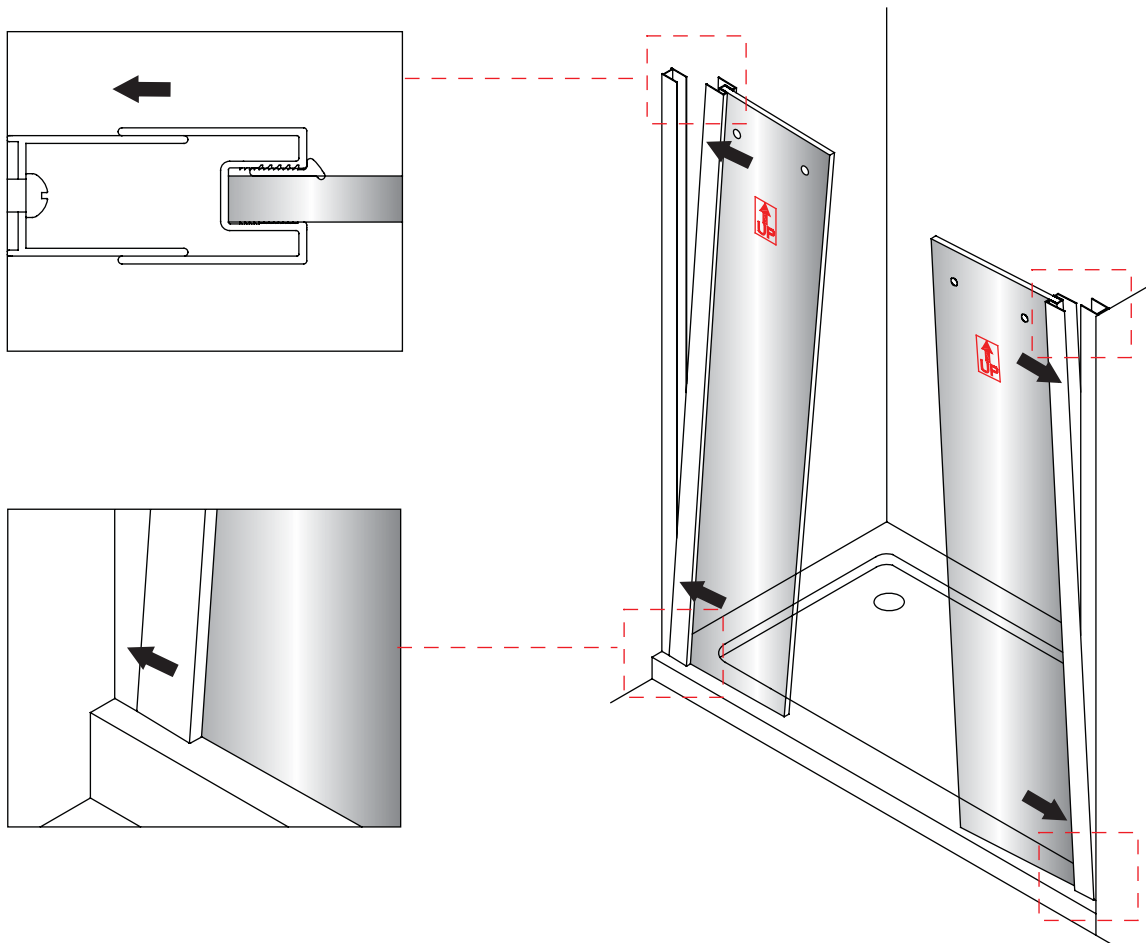
Fix the wall channels to the wall using 4 x 50mm screws (A)

Note: Inject silicone sealant into the holes before inserting the screws to seal the holes.



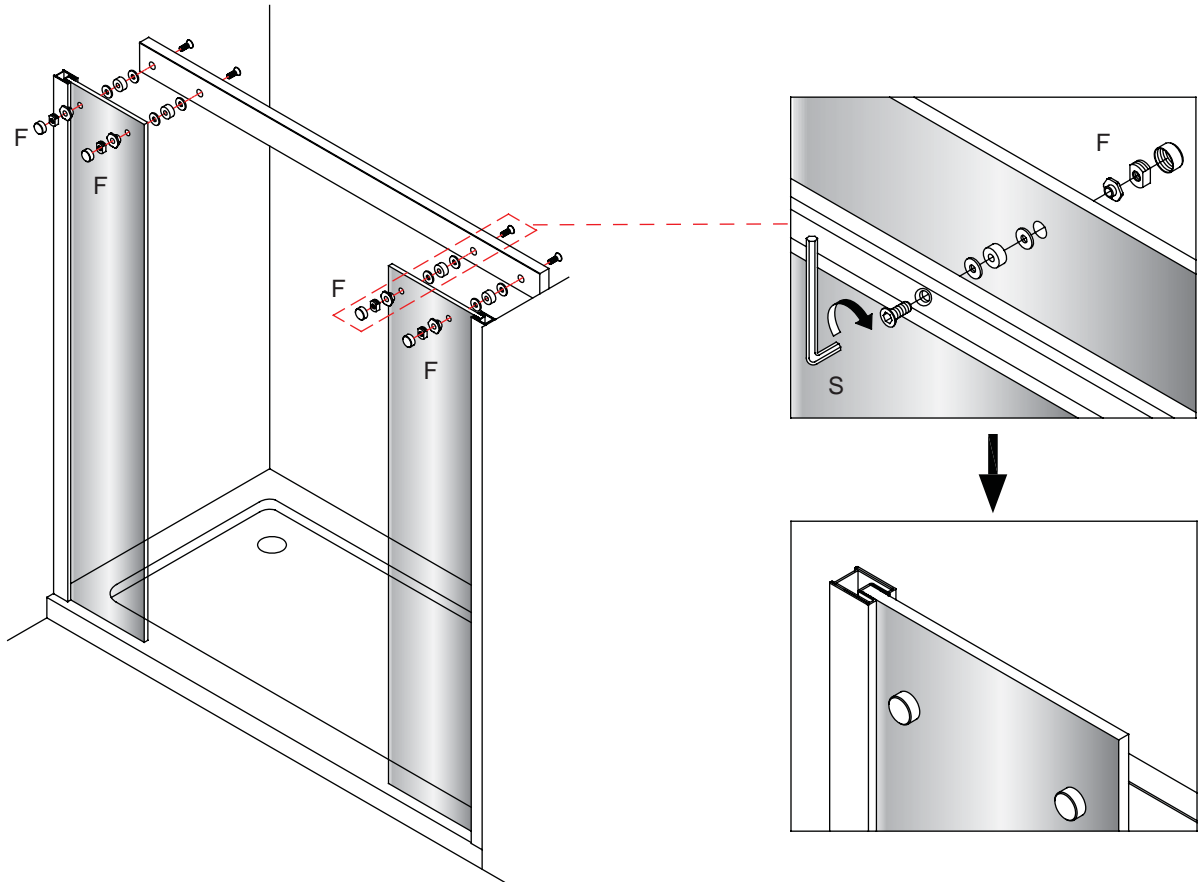
Step 2

Push the glass panel frames onto the wall channels.



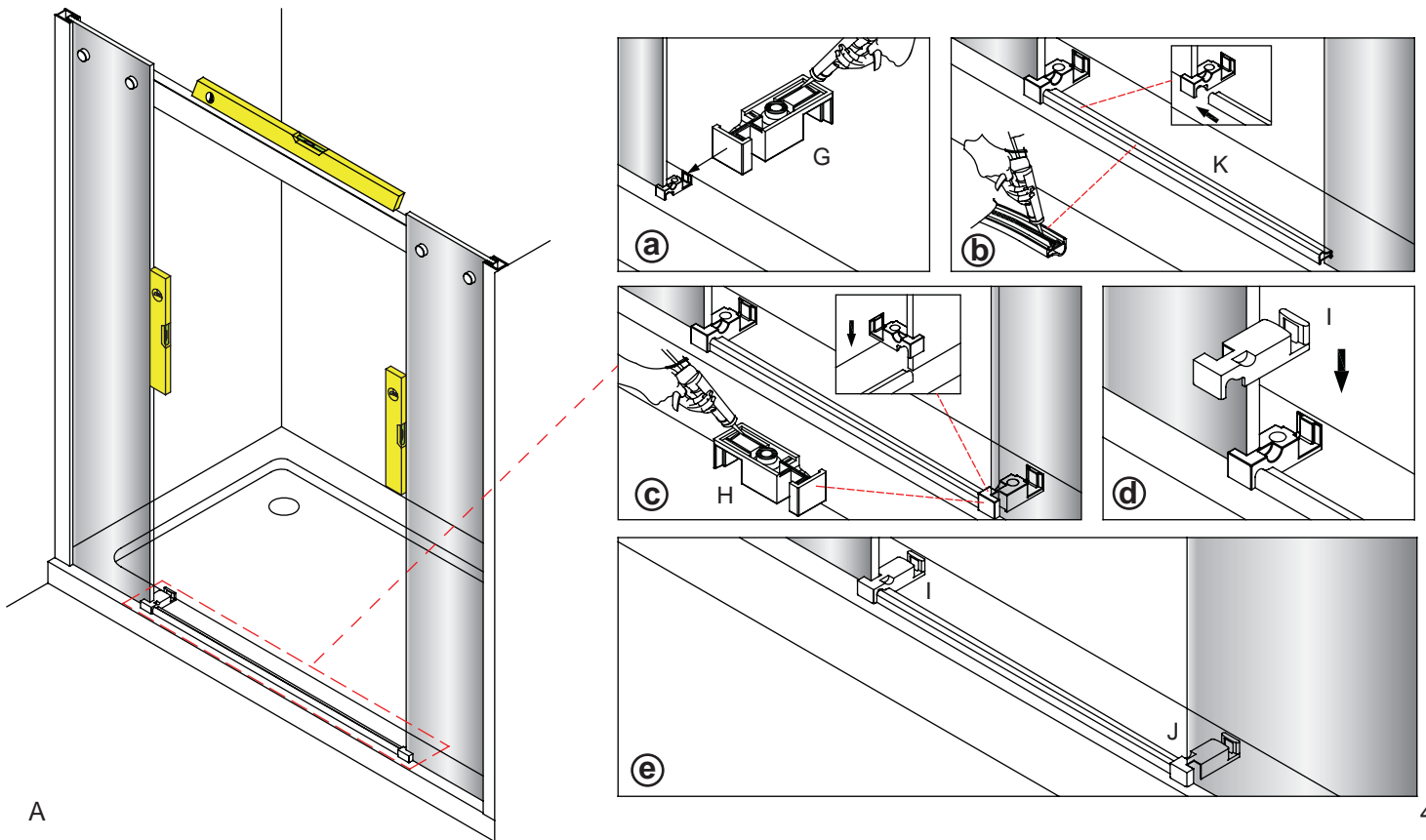
Step 3

Fix the track to the glass panel with the connectors (F) by the allen key (S).

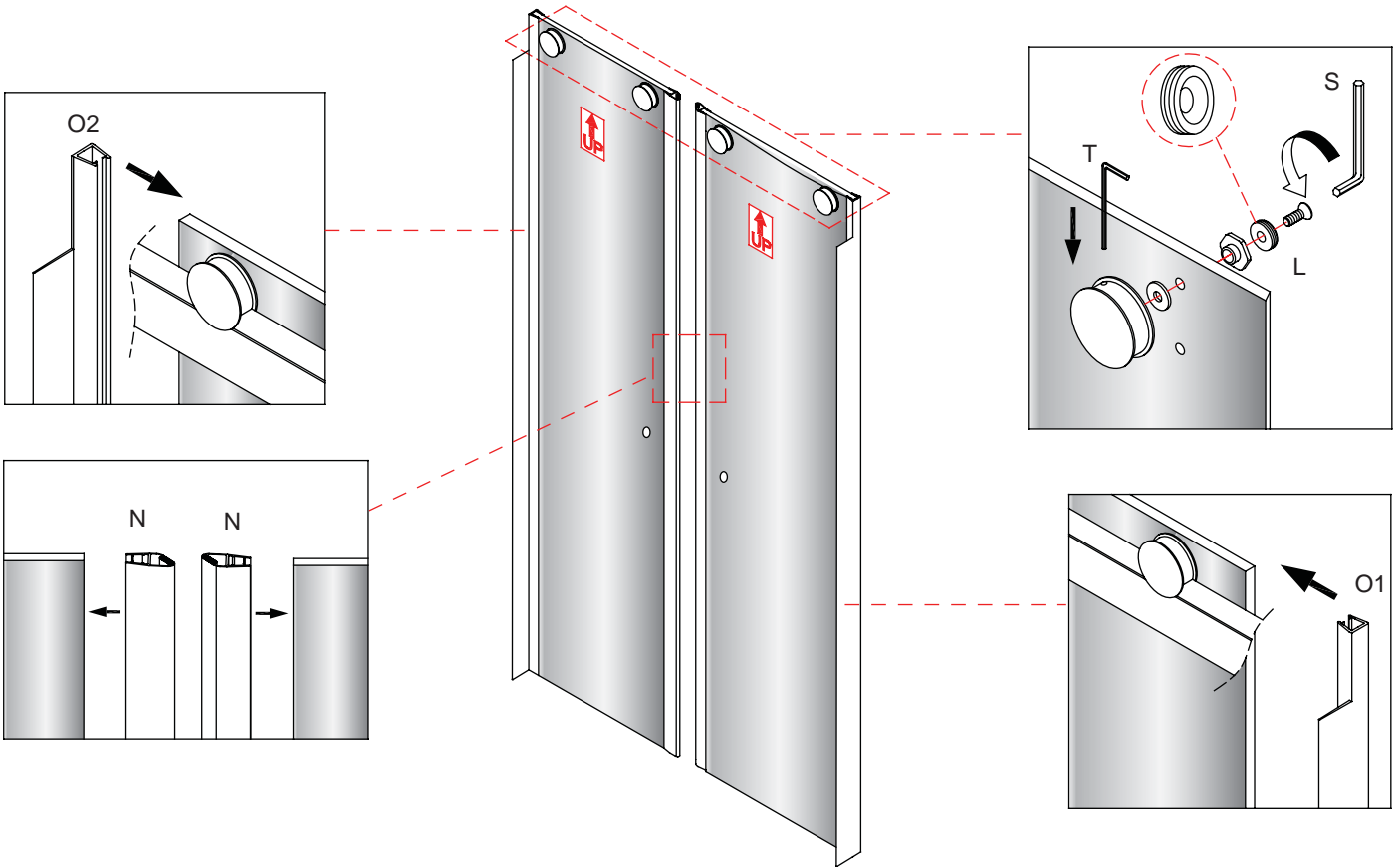


Step 4

Once you have checked that the glass panel sit horizontally and vertically, fix the breakwater bar (K) and the glass clamps (G, H) into position. Finally put on the glass clamp caps (I, J)

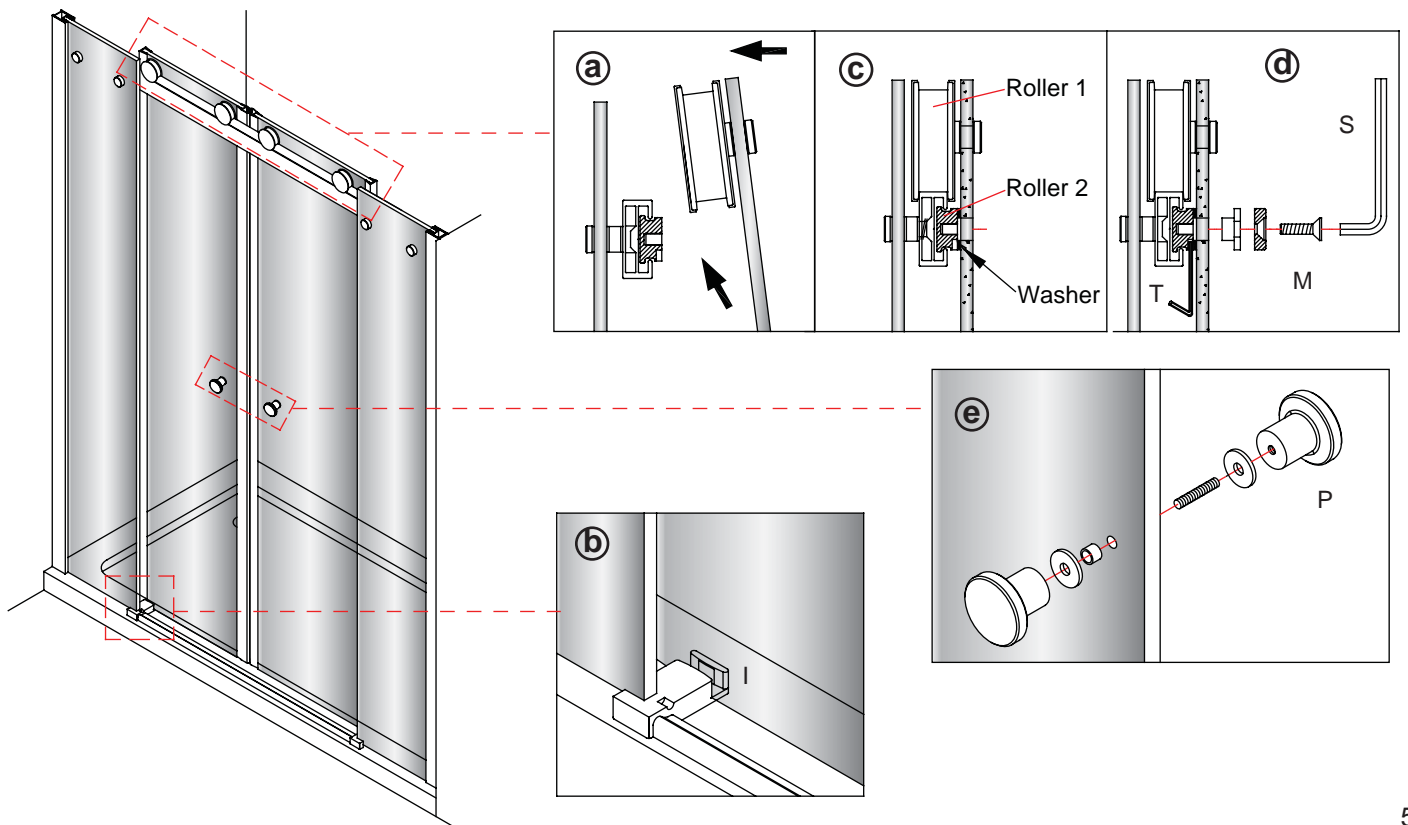


Step 5



Step 6

Hung the glass door to the top track, at the bottom make the glass door into the slot of the glass clamps (I, J). Slide the roller 2 to align with the fixing hole of glass door, Insert the washer from the roller 2 connector (M) between the roller 2 and the glass door. Stop the roller 2 moving using the allen key (T) to fix roller 2 connector (M) to the glass door using the allen key (S).

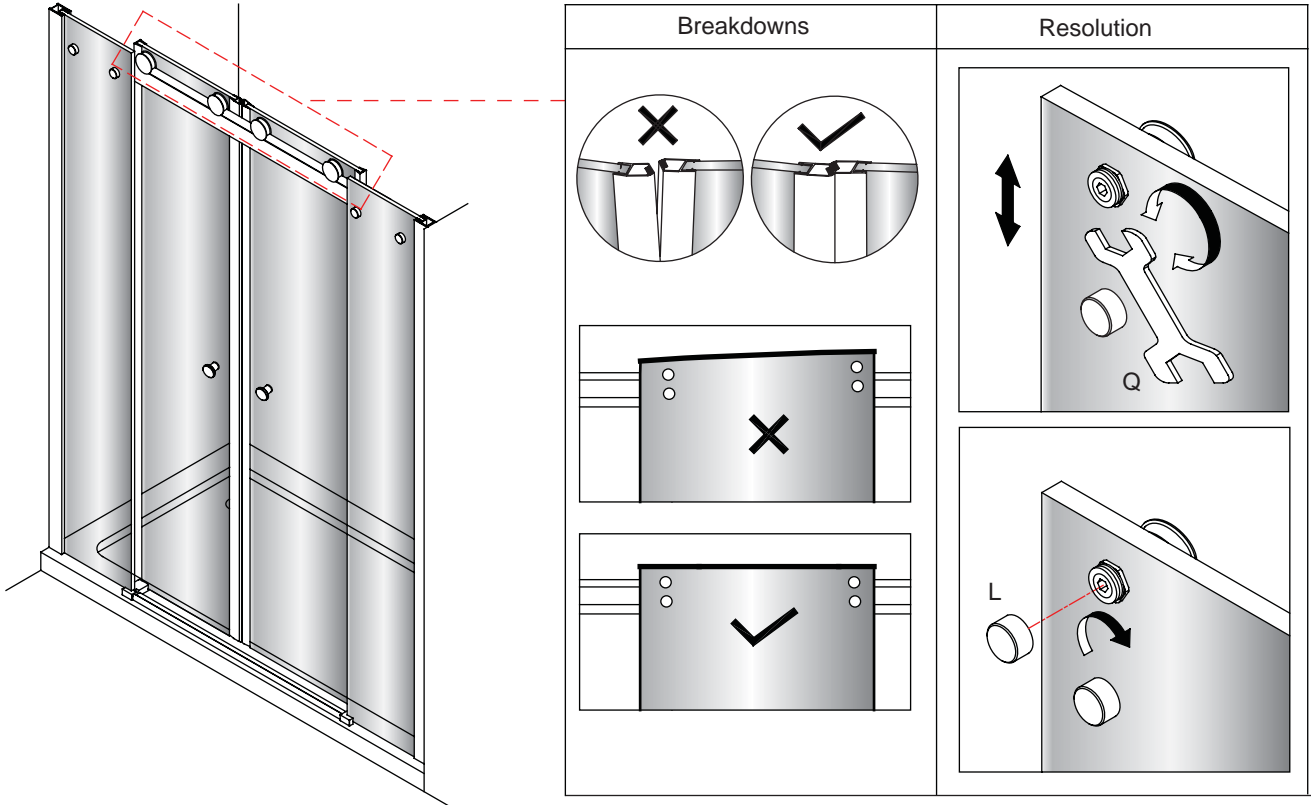


Step 7

Please check that if the glass door is skew or it can not work perfectly.

Loosen the roller 1 (L) using the spanner (Q) and adjust the glass door for fitness.

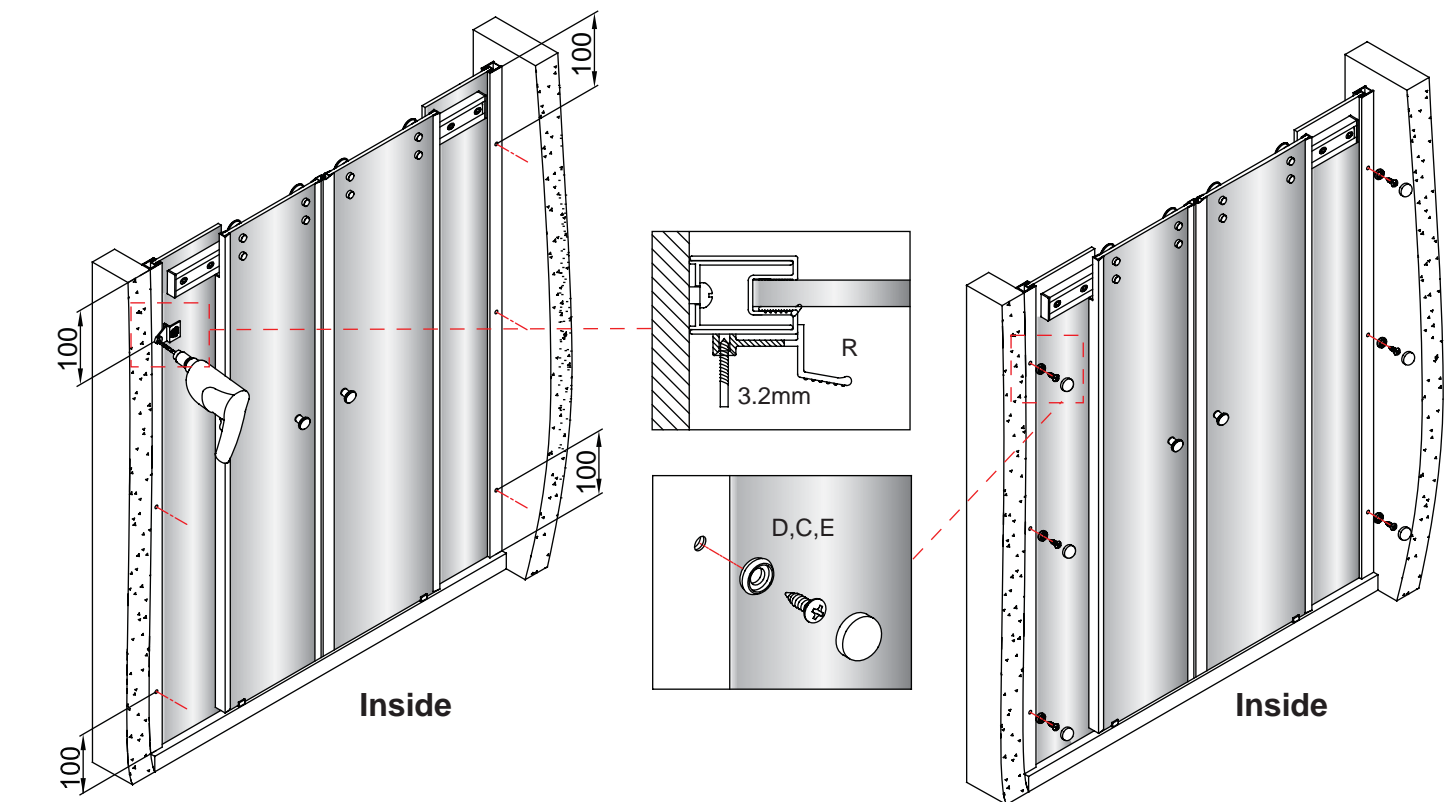
The nut of roller 1 (L) must be tighten after having adjusted the glass door vertical and work perfectly.



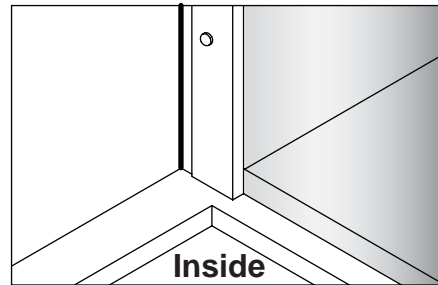
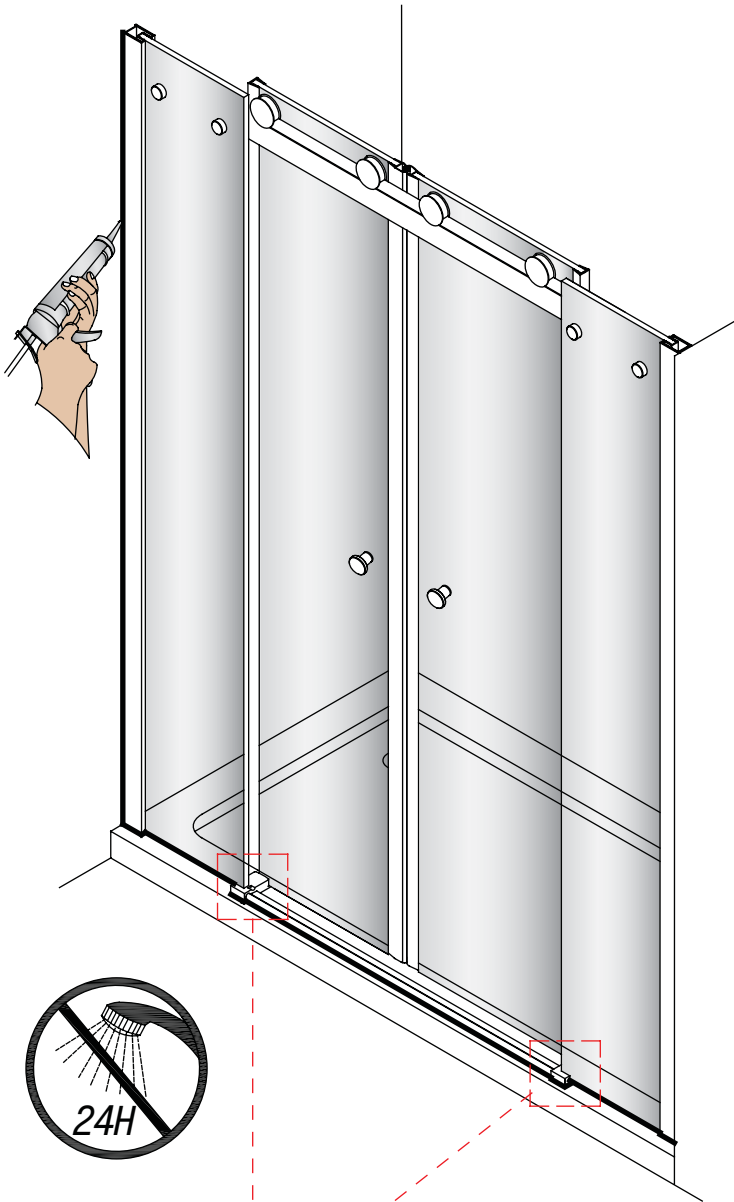
Step 8

Once you have checked that the door opens and closes correctly fix the glass panel frames to the wall channels.

From inside, drill 3 holes through each wall channel/glass panel frame using a 3.2mm drill bit and Drill Jig (R). Fix using washers (D), screws (C) and push on the screw covers (E).



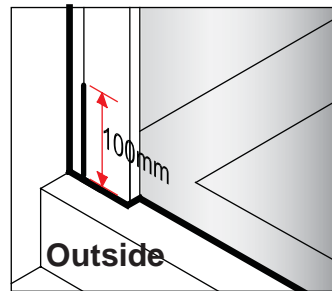
Step 9



Sealing inside:

Run a line of silicone sealant from top to bottom down the joint between the wall channels and tiles.

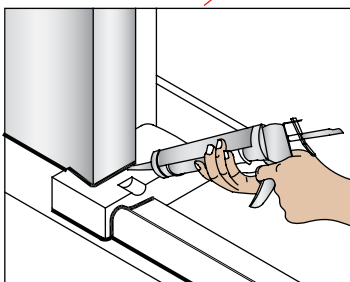
Do not seal the enclosure to the tray on the inside.



Sealing Outside:

Run a line of silicone sealant from top to bottom down the joint between the wall channels and tiles.

Note: If required you can also run a line of silicone sealant 100mm up the joint where the door slots onto the wall channels.



simpsons^x

For any further information please contact
Simpsons on: **0845 873 5808**

Or visit our web-site at
www.simpsons-enclosures.co.uk

The manufacturer reserves the right to make technical
modifications without prior notice.