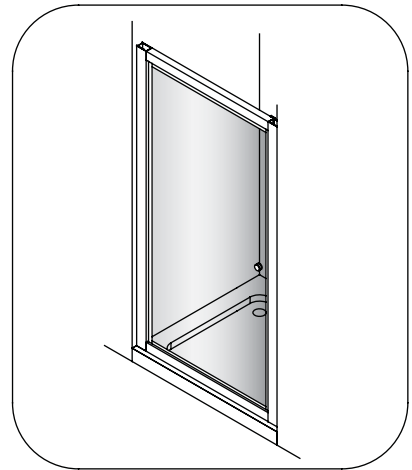
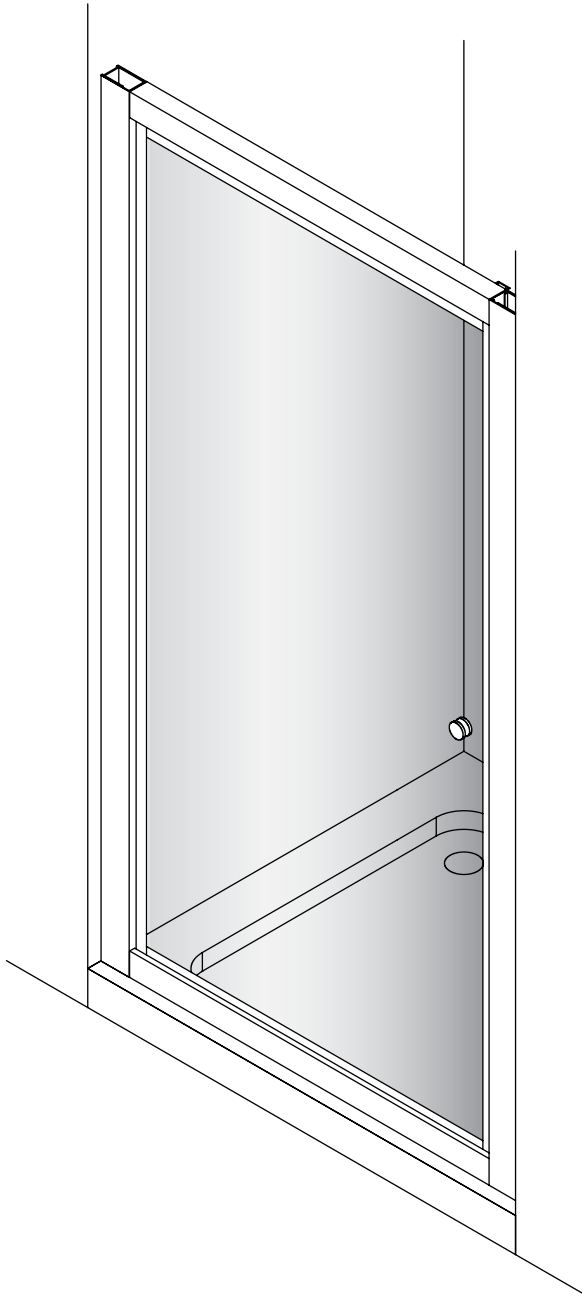
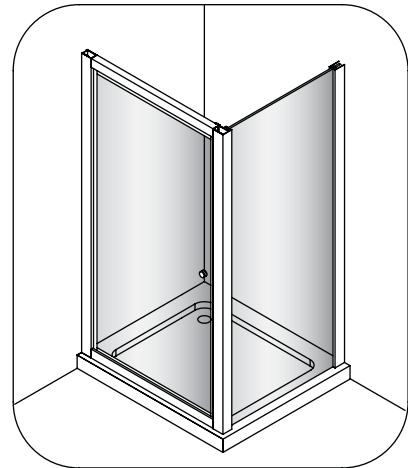


EDGE PIVOT DOOR

EPDSC0760 ESPSC0760
EPDSC0800 ESPSC0800
EPDSC0900 ESPSC0900
EPDSC1000 ESPSC1000



PIVOT DOOR IN ALCOVE



PIVOT DOOR & SIDE PANEL

INSTALLATION INSTRUCTIONS

simpsons 

IMPORTANT - Please read before installation

Please read these instructions carefully before starting installation and keep in a safe place for future reference.

Check the contents of the pack carefully before installation. Simpsons will not be held responsible for any de-fit / re-fit costs where faulty product has been fitted.

If any fault is found with materials or workmanship, it must be reported immediately to the manufacturer. Remedial action will be taken, based on information received, on condition that:

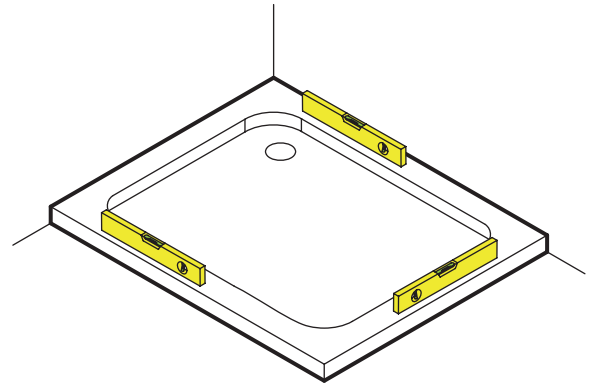
1. Full details are supplied to the manufacturer;
2. The enclosure has not been modified or tampered with;
3. The manufacturer is informed of any damage/shortages prior to installation.

We do not accept responsibility for any problems that may occur through incorrect installation.

The success of the installation and operation of any shower enclosure is, of course, dependant on the squareness, alignment and construction of the walls to which fixing is to be carried out.

VERY IMPORTANT

You must complete all tiling and grouting, and the shower tray **MUST** be level and fully sealed to the tiles before installation. If you do not fit the enclosure onto a tiled surface, or seal the tiles to the tray before installation, water may soak into the wall behind the wall profiles.



INSTALLATION - Advice and safety

These products come with the two wall channels pushed onto each side of the glass panel frame. The side panels do **NOT** come with wall channels, you must use one of the channels from the door.

The installation instructions are based on typical use and conditions.

The pivot door is designed to open inwards only.

Please follow the installation instructions relevant to your enclosure.

These hints have been prepared for your guidance, you must exercise due care at all times.

For Health and Safety 2 people must carry out the installation of this enclosure.

Handle glass with care. Although the glass supplied is toughened safety glass (EN12150), impacts can damage both the glass and the frame.

Warning!

Please check for any hidden pipes or cables before drilling holes in the wall.

To stop the drill bit slipping, masking tape can be applied to the tiles when preparing the holes.

When using power tools always follow the manufacturers user instructions.

Do not sit the enclosure on a bed of silicone, as this will also stop any water from draining back into the tray.

DO NOT SEAL THE ENCLOSURE TO THE TRAY ON THE INSIDE.

If the enclosure is sealed to the tray on the inside, any water that may get into the framework will not be able to drain back into the tray, this may cause the enclosure to leak.

Leave the silicone sealant to dry for 24 hours before using the enclosure.

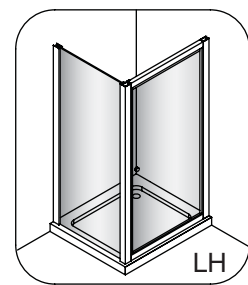
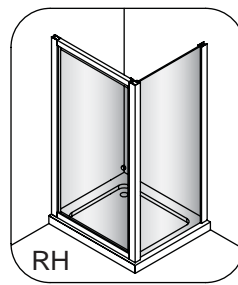
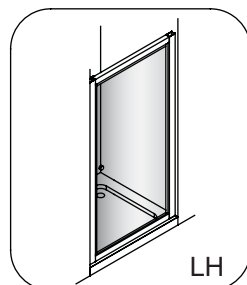
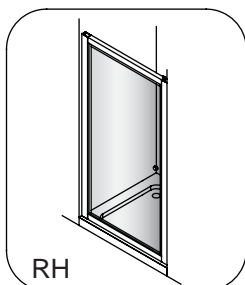
CARE AND CLEANING

Do not use solvents or abrasive material or chemicals to clean the enclosure.

Only clean using soapy water and a soft cloth, rinse thoroughly afterwards.

INSTALLATION - left & right

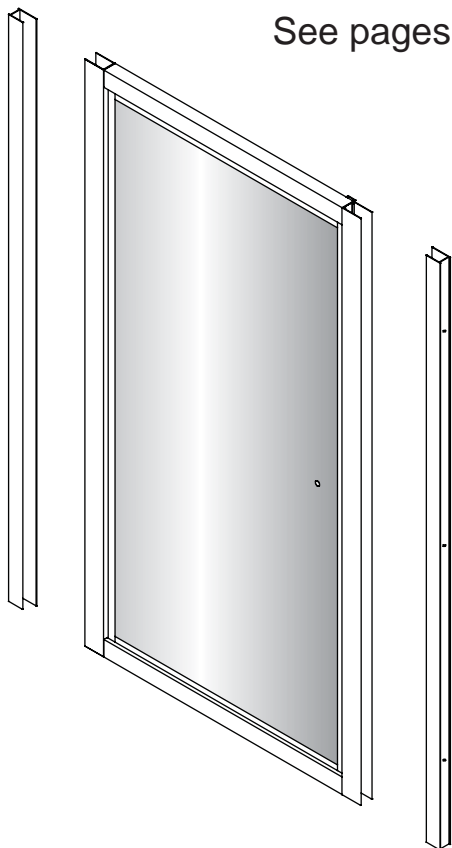
These products are reversible for left or right hand fitting, simply turn the door or panel up side down.



CONTENTS

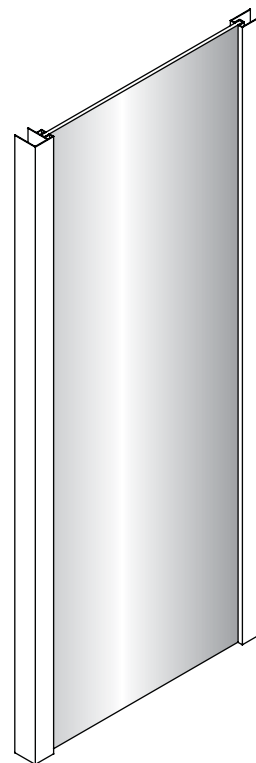
PIVOT DOOR IN ALCOVE

See pages 3 - 5




PIVOT DOOR & SIDE PANEL

See pages 6 - 8



A  M4 *50mm Screw x 6

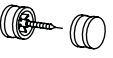
B  Wall Plug x 6

C  M4 *12mm Screw x 6

D  Washer x 6

E  Cover x 6

F  Cap x 3

G  Handle x 1

C  M4 *12mm Screw x 3

D  Washer x 3

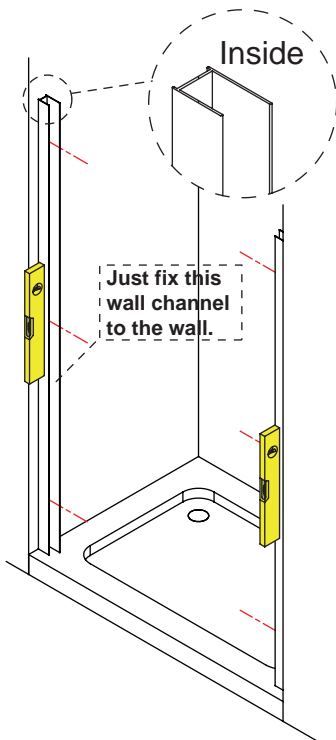
E  Cover x 3

Tools and equipment needed

Drill, 6mm Masonry drill bit, 3.0mm General drill bit, Philips screwdriver, Spirit level, Pencil, Tape measure, Silicone sealant.

PIVOT DOOR IN ALCOVE

Step 1 - FITTING AND POSITIONING WALL CHANNEL

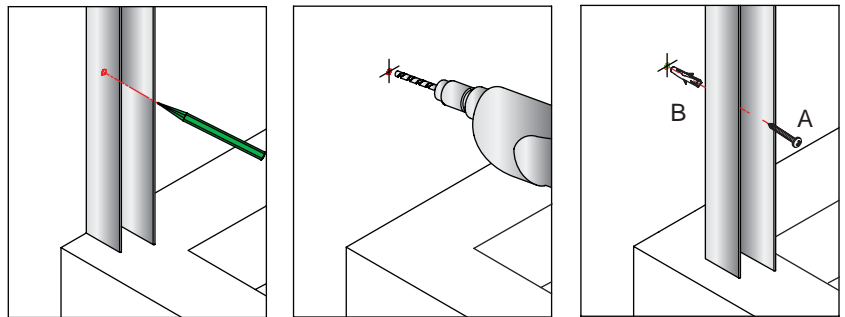


Remove both wall channels from the glass panel frame. **Note:** Ensure the longer leg of each wall channel is on the inside of the enclosure when fixing. Place each wall channel in position on the tray (10 - 15mm in from the outer edge of the tray), use a spirit level to ensure that they are vertical and mark all 6 fixing holes onto the wall.

Drill holes in the positions marked using a 6mm masonry drill bit. Insert wall plugs (B) into all of the holes (beyond the thickness of the tile).

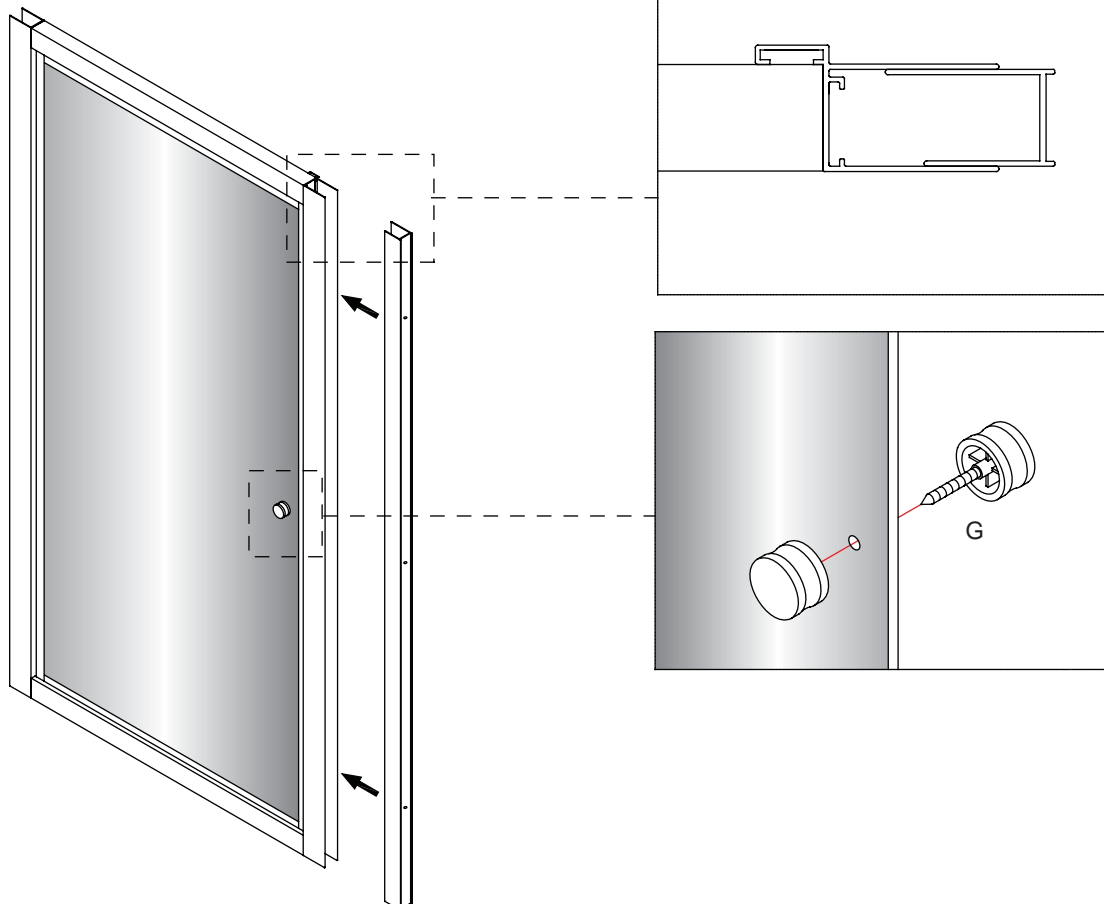
On pivot side only: Fix the wall channel to the wall using screws (A).

Note: Inject silicone sealant into the holes before inserting the screws to seal the holes.



Step 2

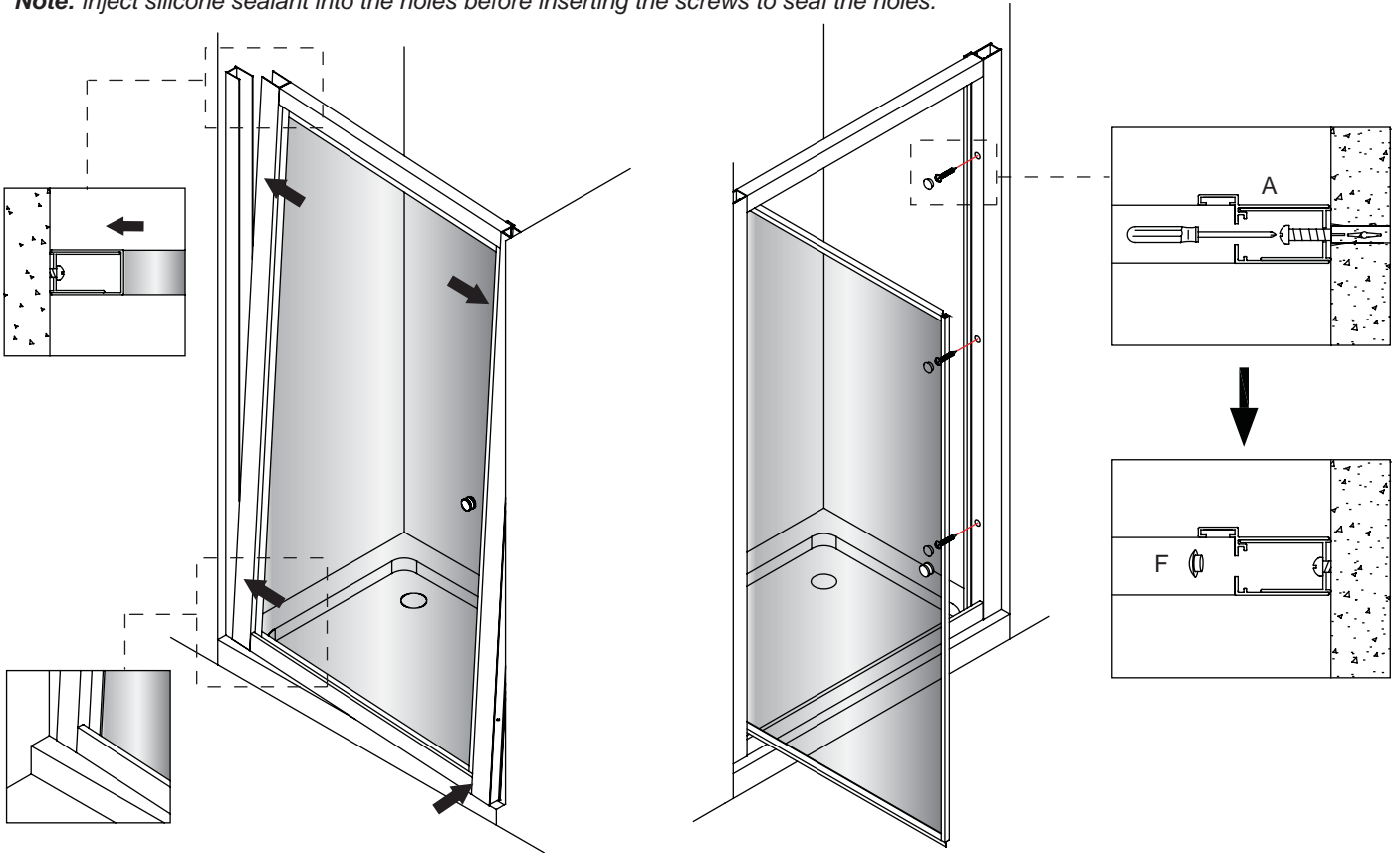
Push the remaining wall channel back onto the glass panel frame on the opening/handle side of the door (with the longer leg on the inside of the enclosure).



Step 3

Insert the door into the "fixed" wall channel and swing the free end into position on the opposite wall. Line up the fixing holes on the second wall channel with those on the wall and fix through the frame using screws (A) and push on all 3 hole caps (F).

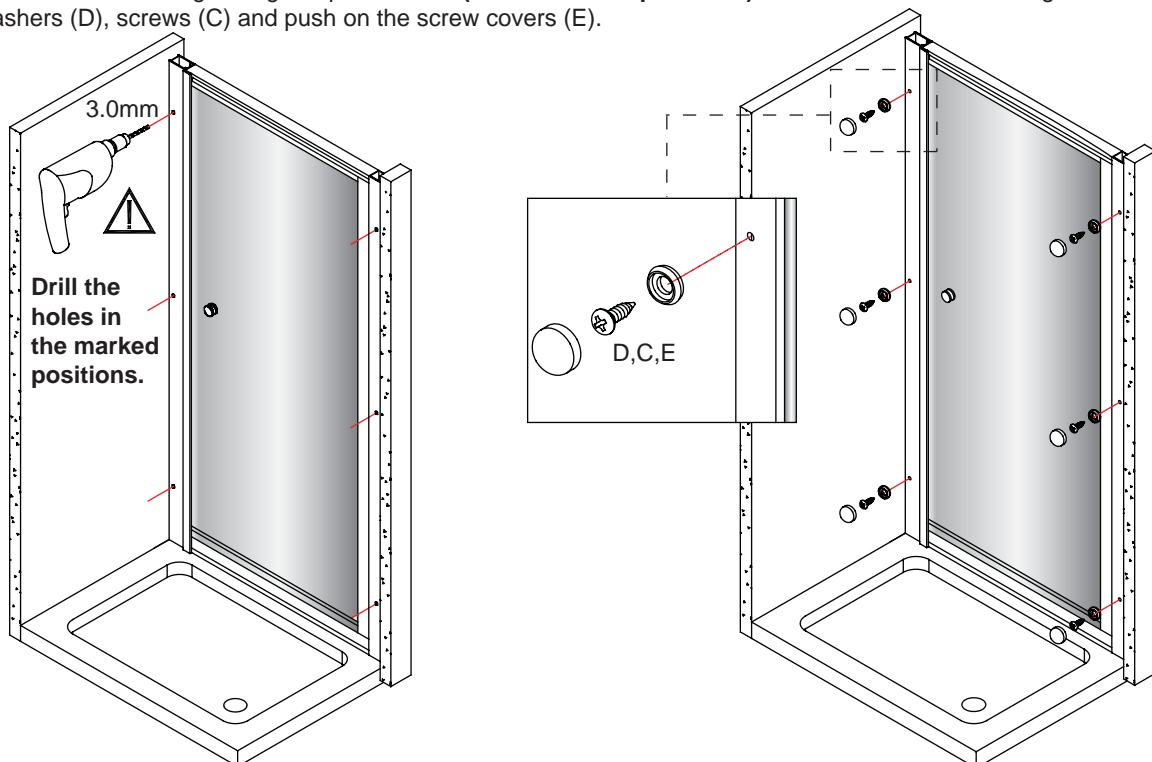
Note: inject silicone sealant into the holes before inserting the screws to seal the holes.



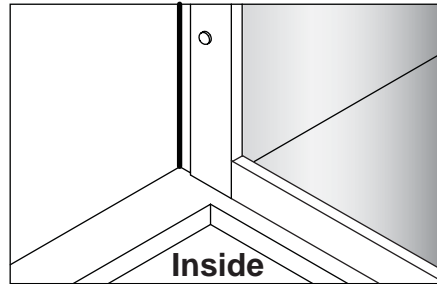
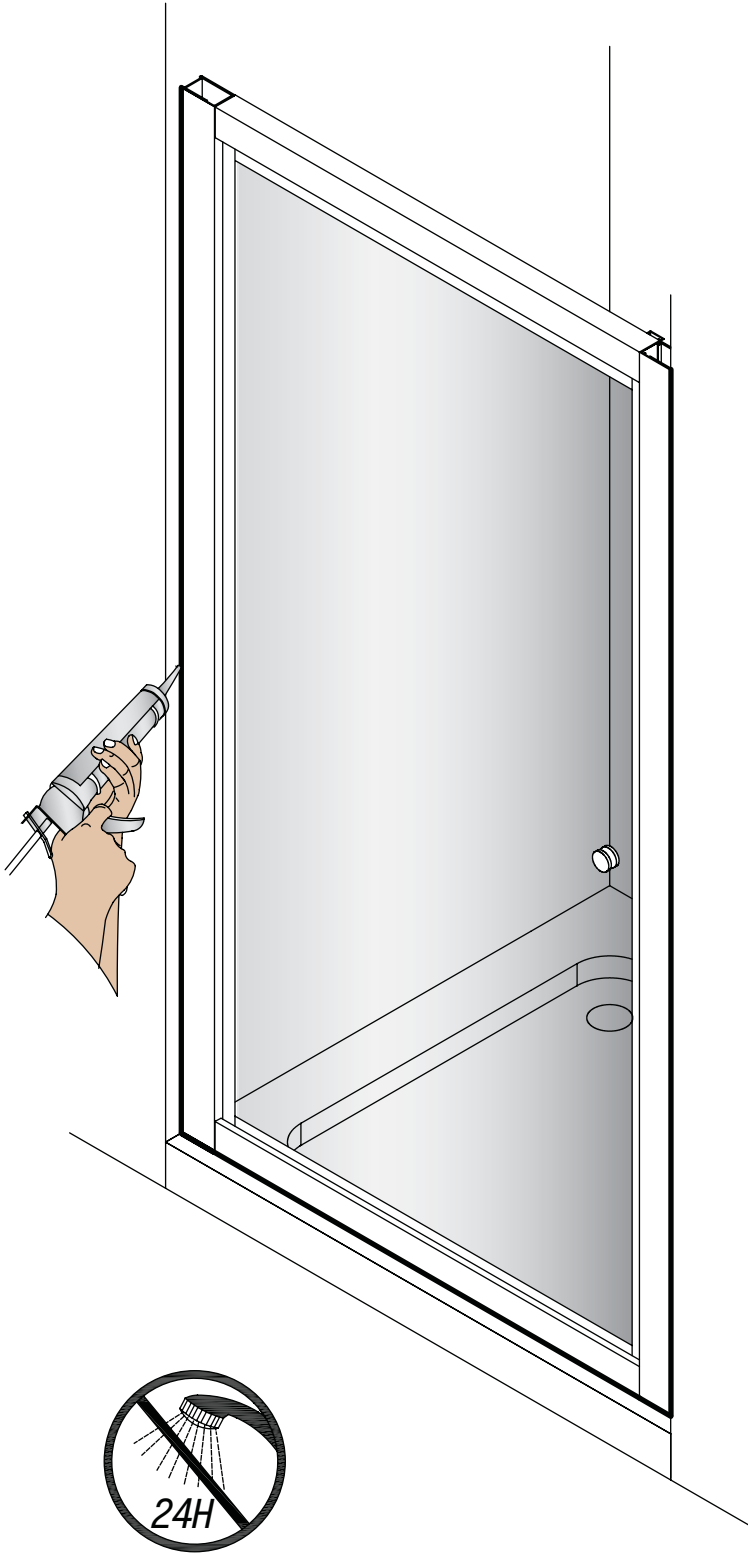
Step 4

Once you have checked that the glass panel frames centred between the wall channels and also sit horizontally and vertically, fix the glass panel frames to the wall channels.

From inside, drill 3 holes through the glass panel frame (**in the marked positions**) into the wall channels using a 3.0mm drill bit. Fix using washers (D), screws (C) and push on the screw covers (E).



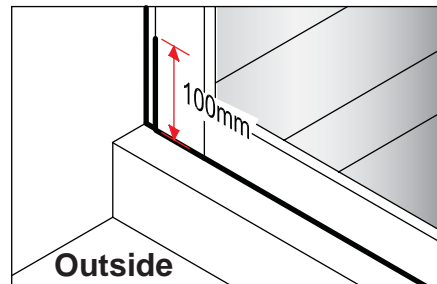
Step 5



Sealing inside:

Run a line of silicone sealant from top to bottom down the joint between the wall channels and tiles.

Do not seal the enclosure to the tray on the inside.



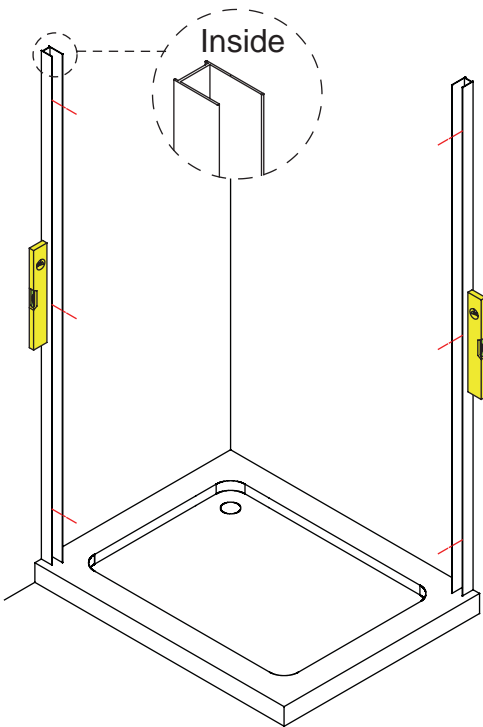
Sealing Outside:

Run a line of silicone sealant from top to bottom down the joint between the wall channels and tiles.

Note: If required you can also run a line of silicone sealant 100mm up the joint where the door slots onto the wall channels.

PIVOT DOOR & SIDE PANEL

Step 1

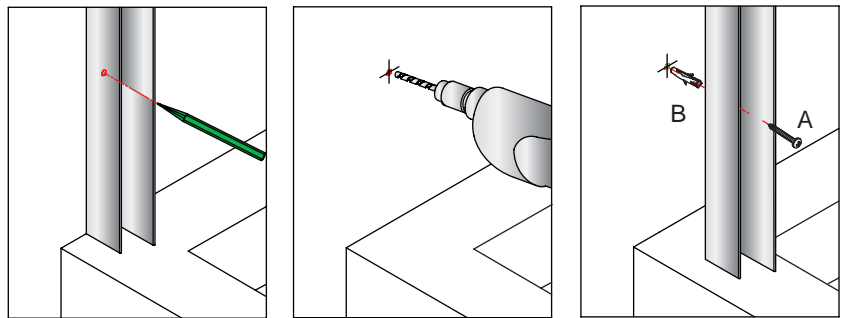


Remove both wall channels from the glass panel frame. **Note:** Ensure the longer leg of each wall channel is on the inside of the enclosure when fixing. Place each wall channel in position on the tray (10 - 15mm in from the outer edge of the tray), use a spirit level to ensure that they are vertical and mark all 6 fixing holes onto the wall.

Drill holes in the positions marked using a 6mm masonry drill bit. Insert wall plugs (B) into all of the holes (beyond the thickness of the tile).

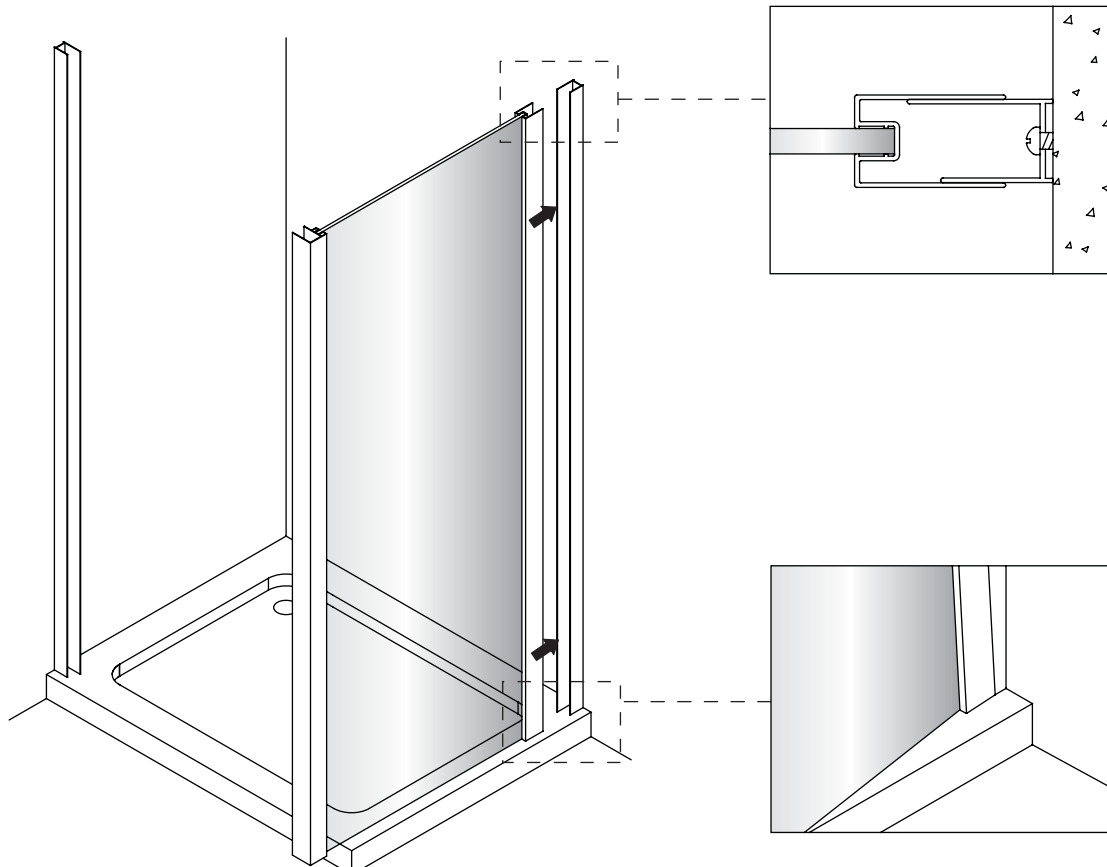
Fix the wall channels to the wall using screws (A).

Note: Inject silicone sealant into the holes before inserting the screws to seal the holes.



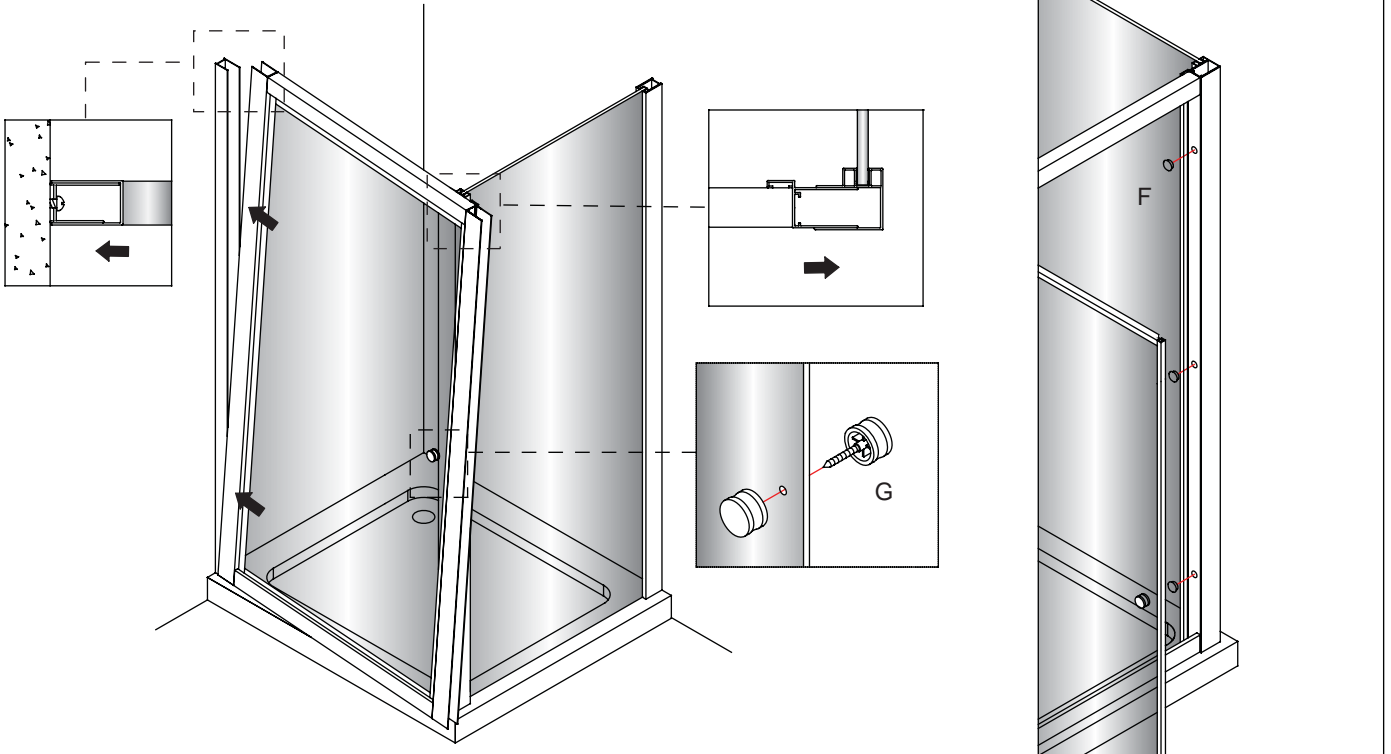
Step 2

Fit the side panel into the wall channel and position correctly on the tray.



Step 3

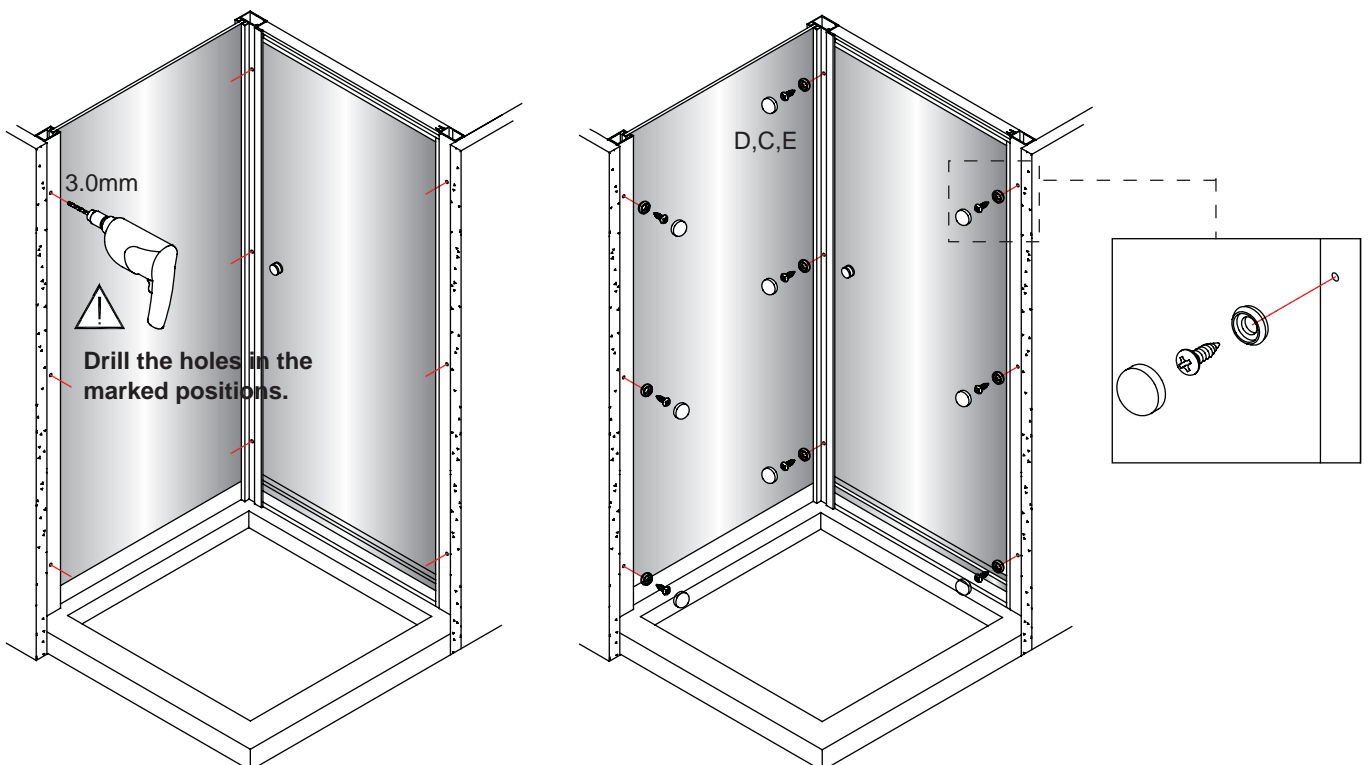
Fit the door onto the other wall channel and swing the free end into position on the tray. Push the corner post, fixed to the side panel, onto the side of the door. Attach the handle (G) into position. Push on the 3 hole caps (F).



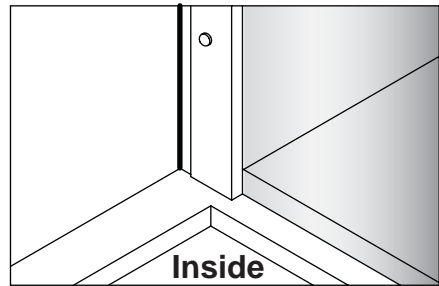
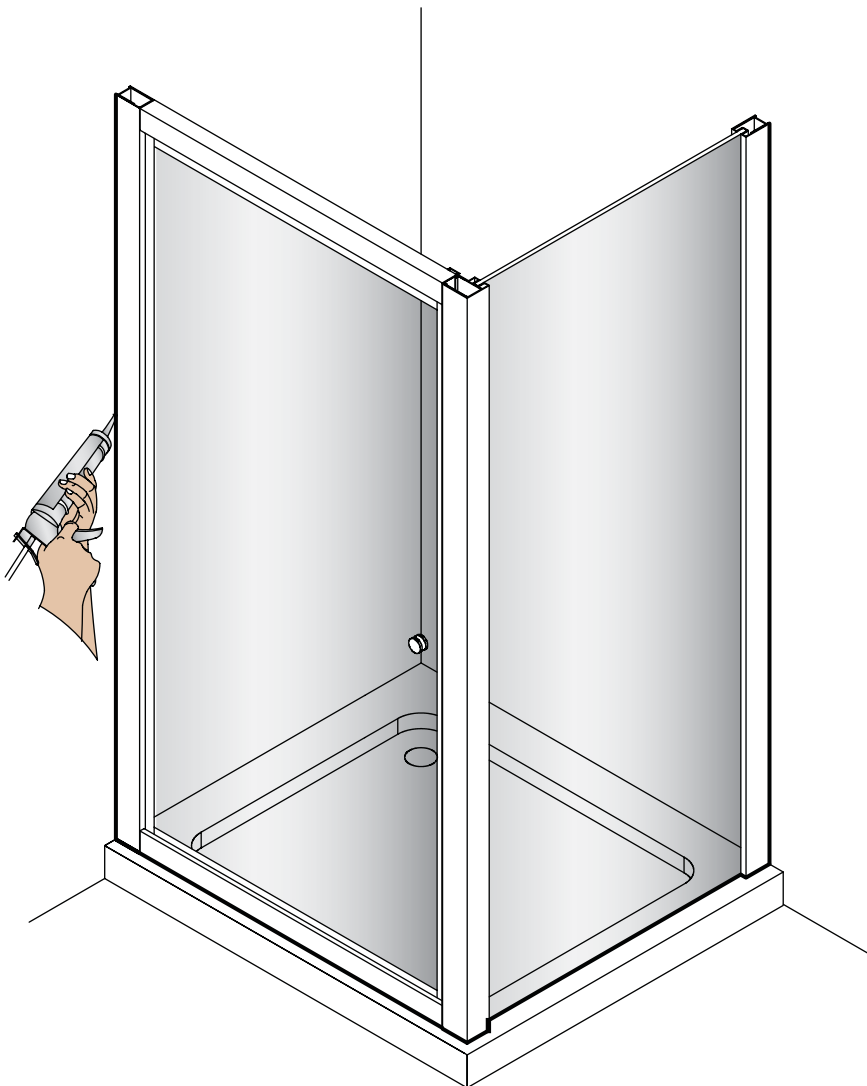
Step 4

Once you have checked that the glass panel frames centred between the wall channels and also sit horizontally and vertically, fix the glass panel frames to the wall channels.

From inside, drill 3 holes through the glass panel frame (**in the marked positions**) into the wall channels using a 3.0mm drill bit. Fix using washers (D), screws (C) and push on the screw covers (E).



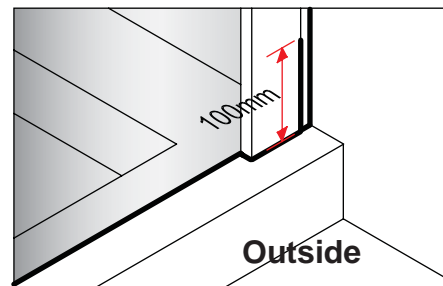
Step 5



Sealing inside:

Run a line of silicone sealant from top to bottom down the joint between the wall channels and tiles.

Do not seal the enclosure to the tray on the inside.



Sealing Outside:

Run a line of silicone sealant from top to bottom down the joint between the wall channels and tiles.

Note: If required you can also run a line of silicone sealant 100mm up the joint where the door slots onto the wall channels.



simpsons^x

For any further information please contact
Simpsons on: **0845 873 5808**

Or visit our web-site at
www.simpsons-enclosures.co.uk

The manufacturer reserves the right to make technical
modifications without prior notice.