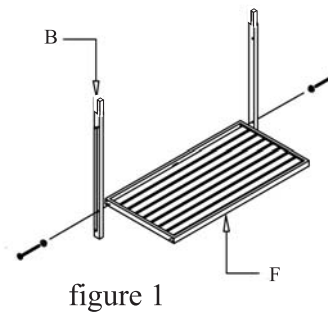


NOTE:
 * Read all instructions before starting.
 * Do not completely tighten any bolts until the unit is fully assembled and sitting on a level surface.

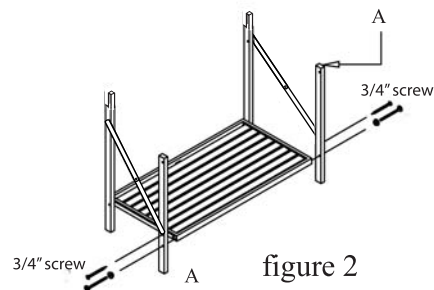
STEP 1

Attach back legs (B) to the preassembled bottom tray (F) with a nut and bolt on each side.



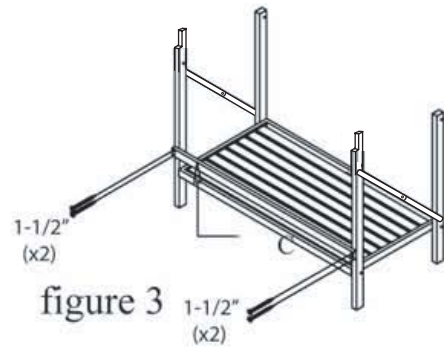
STEP 2

Attach front legs (A) to the preassembled bottom tray (F) with a nut and bolt on each side. Then, secure the metal brace diagonally with a 3/4" screw on each side.



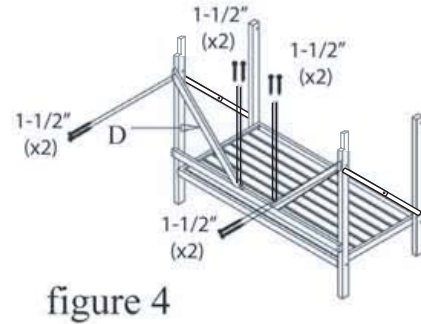
STEP 3

Attach cross-beam (C) to the rear of the back legs (B) with two 1-1/2" long screws on each side.



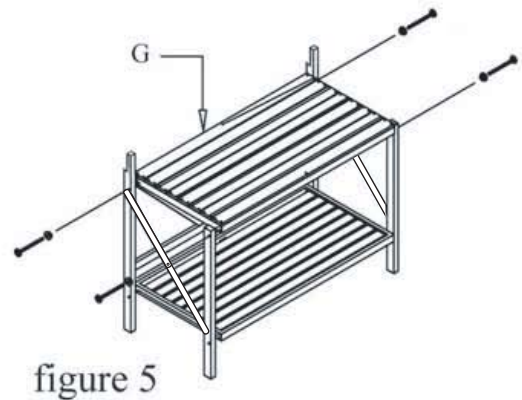
STEP 4

Attach each diagonal support beam (D), one on either side, with four 1-1/2" long screws. Two at the top and two at the base of each beam.



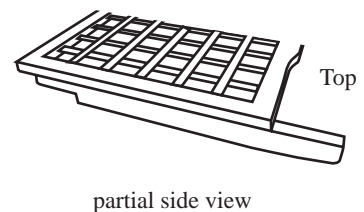
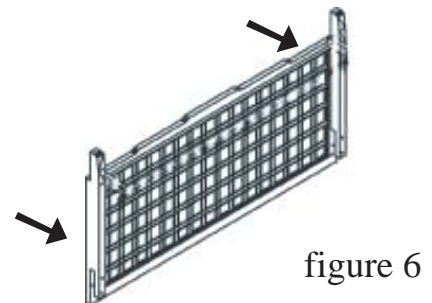
STEP 5

Attach top tray (G) to the unit, with 4 nuts and bolts. One on each corner.



STEP 6

Secure the lattice supports (I) to the preassembled backing (H) using 6 1-1/2" screws. Please reference partial side view for placement.



STEP 7

Attach Cross Hanging Bar (E) to the pre-assembled back (H) with two 1-1/2" screws. One on each corner.

WARNING: THE CROSS HANGING BAR IS INTENDED FOR LIGHT WEIGHT ITEMS ONLY, SUCH AS TOWELS, GLOVES, AND HAND TOOLS.

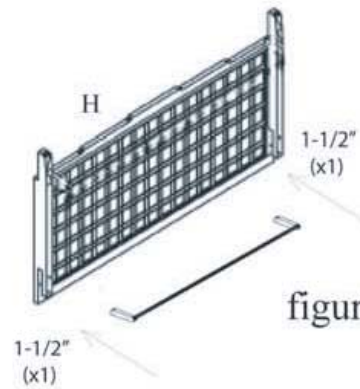


figure 7

STEP 8

Place the preassembled backing to the back legs (B) and attach with four 1-1/2" long screws, two on each side.

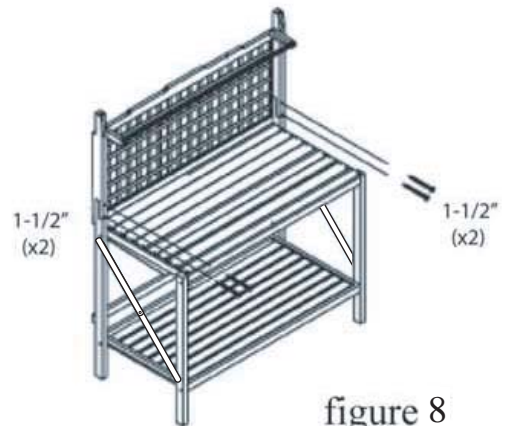


figure 8

STEP 9 (optional)

Bend metal brace at the center and lift top tray up to fold Potting Bench flat for easy storage.

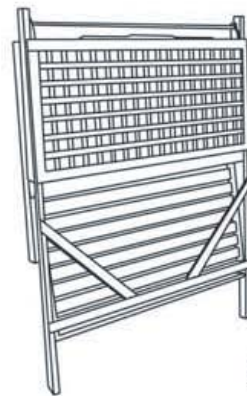


figure 9



Potting Bench MPG-PB01

CARE INSTRUCTIONS

Thank you for choosing MERRY PRODUCTS™ ADIRONDACK FURNITURE. With little care and maintenance, MERRY PRODUCTS™ ADIRONDACK FURNITURE will provide you with enjoyment for many years to come!

- MERRY PRODUCTS™ ADIRONDACK FURNITURE may be used both indoor and outdoor.
- The Potting Bench has been treated with an oil-based stain. If used outdoors, staining or repainting with an oil-based weatherproof coating of your choice before use, and continued once a year, may increase the life expectancy and maintain the look of MERRY PRODUCTS™ ADIRONDACK FURNITURE.
- Cover the Potting Bench during harsh weather to keep it from weathering.
- Rinse any panels with water to clean.
- When assembling MERRY PRODUCTS™ ADIRONDACK FURNITURE, please handle all panels and/or hardware with care to avoid any possibilities of damages and/or injuries.