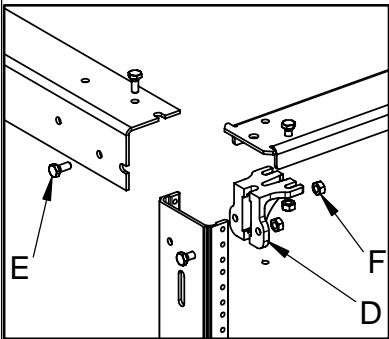
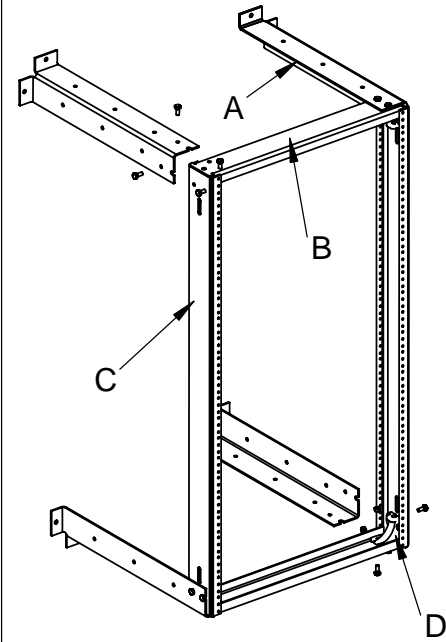


## PART NUMBERS

11960-X06	11960-X12	11960-X18	11963-X06	11963-X12	11963-X18
11961-X06	11961-X12	11961-X18	11964-X06	11964-X12	11964-X18
11962-X06	11962-X12	11962-X18	11965-X06	11965-X12	11965-X18

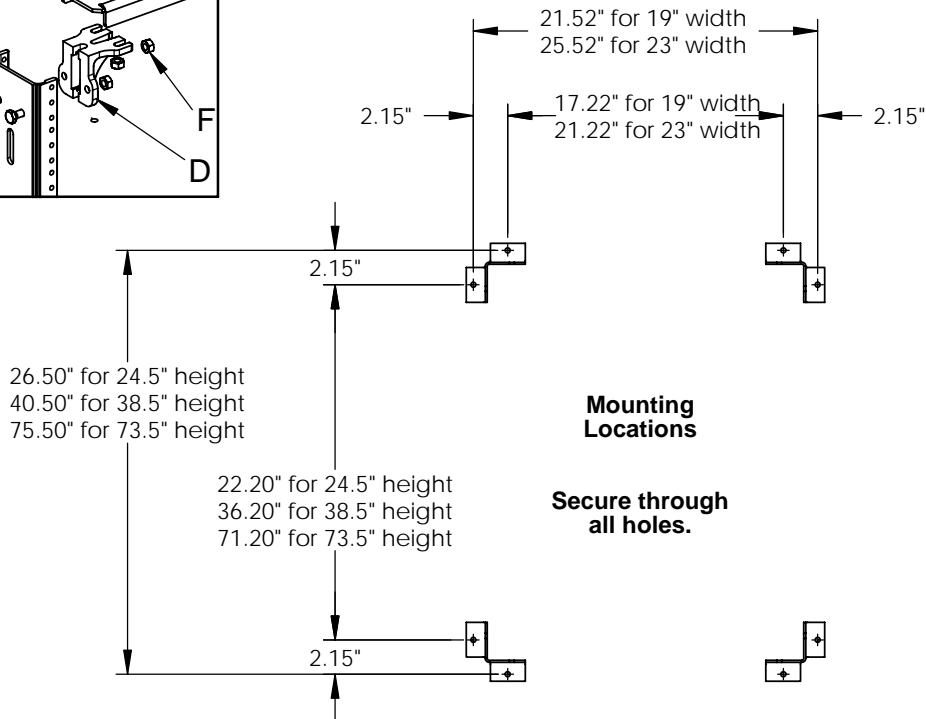
## INSTRUCTIONS

- Step 1** On a flat surface, align cross-members (B) and mounting channels (C).
- Step 2** Position the corner assembly brackets (D) in each corner as depicted and loosely secure in front mounting holes with hex bolts (E) and hex nuts (F).
- Step 3** Slide legs (A) into position with slot fitting under previously installed bolts.
- Step 4** Tighten all bolts and install remaining hex bolts & hex nuts throughout remaining alignment holes with 7/16" socket wrench.
- Step 5** Use a level to assure wall rack is level while securing to wall.



## COMPONENTS

Item	Quantity	Component Description
A	4	Wall Attachment Brackets (Legs)
B	2	Cross Members
C	2	Mounting Channels
D	4	Corner Assembly Brackets
E	16	1/4" - 20 x 5/8 Hex Bolts
F	16	1/4" - 20 Hex Nuts
G	8	1/4" x 2" Hex Lag Screws (not shown)
H	50 pack	#12 - 24 Mounting Screws (not shown)

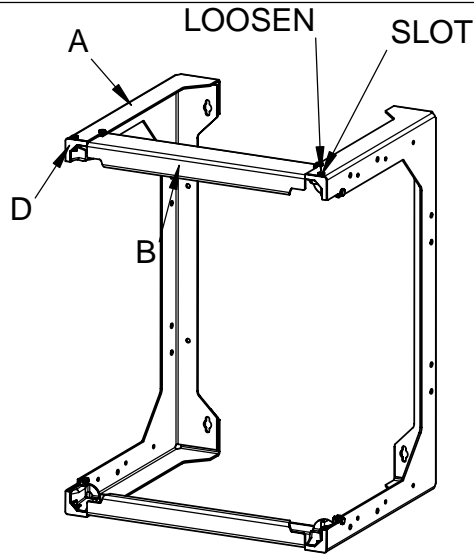


**Note:** Wall-mount rack must be secured using all possible hex lag screws (G) provided to 3/4" plywood back-board secured to wall framing to assure load bearing capability. Lag screws are intended for mounting to wooden surface; for masonry surface, the installer must provide appropriate hardware.

**CPI** CHATSWORTH PRODUCTS, INC.

**INSTALLATION INSTRUCTIONS  
FIXED WALL-MOUNT  
EQUIPMENT RACK**

THIS DRAWING CONTAINS INFORMATION PROPRIETARY TO CHATSWORTH PRODUCTS, INC. ANY REPRODUCTION DISCLOSURE OR USE OF THIS DRAWING IS EXPRESSLY FORBIDDEN EXCEPT AS AGREED TO IN WRITING BY CHATSWORTH PRODUCTS, INC.

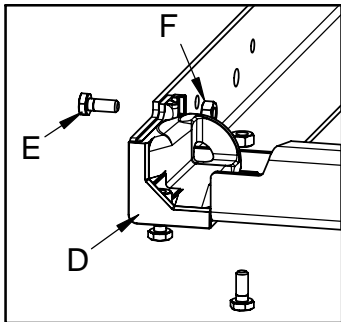


## PART NUMBERS

11790-X12	11790-X18	11790-X25	11793-X12	11793-X18	11793-X25
11791-X12	11791-X18	11791-X25	11794-X12	11794-X18	11794-X25
11807-X12	11807-X18	11807-X25	11808-X12	11808-X18	11808-X25
11792-X12	11792-X18	11792-X25	11795-X12	11795-X18	11795-X25

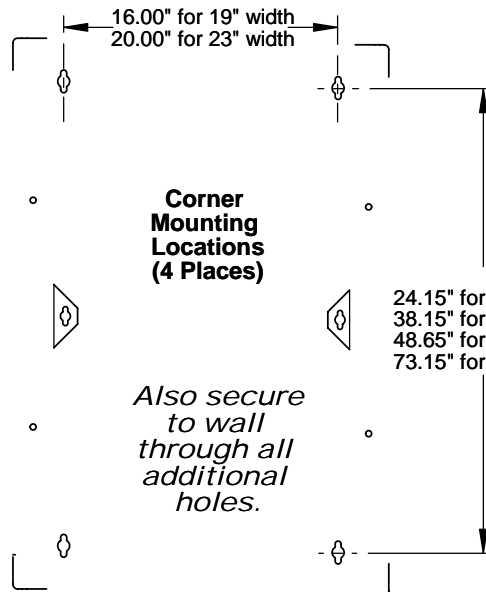
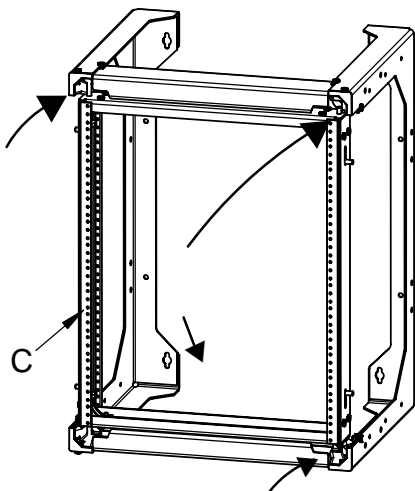
## INSTRUCTIONS

- Step 1** Loosen hex bolt on pre-installed corner ramp (D) and wall attachment cross-member (B).
- Step 2** Slide legs (A) into position with slots fitting under previously loosened bolts.
- Step 3** Tighten all bolts and install remaining hex bolts and hex nuts through remaining alignment holes with a 7/16" socket wrench.
- Step 4** Use a level to assure wall rack is level while securing to wall.
- Step 5** Align lower pivot pins of mounting frame (C) into lower corner ramps. Retract upper pivot pins and secure in upper corner ramps.



## COMPONENTS

Item	Quantity	Component Description
A	2	Wall Attachment Brackets (Legs)
B	2	Wall Attachment Cross-Members
C	1	Mounting Frame
D	4	Corner Assembly Ramps (pre-installed in cross-members)
E	16	1/4" - 20 x 5/8 Hex Bolts
F	16	1/4" - 20 Hex Nuts
G	8	1/4" x 2" Hex Lag Screws (not shown)
H	50 pack	#12 - 24 Mounting Screws



**Corner Mounting Locations (4 Places)**

Also secure to wall through all additional holes.

**Note:** Wall-mount rack must be secured using all possible hex lag screws (G) provided to 3/4" plywood back-board secured to wall framing to assure load bearing capability. Lag screws are intended for mounting to wooden surface; for masonry surface, the installer must provide appropriate hardware.

**CPI** CHATSWORTH PRODUCTS, INC.

**INSTALLATION INSTRUCTIONS  
STANDARD SWING GATE  
WALL RACK**

THIS DRAWING CONTAINS INFORMATION PROPRIETARY TO CHATSWORTH PRODUCTS, INC. ANY REPRODUCTION DISCLOSURE OR USE OF THIS DRAWING IS EXPRESSLY FORBIDDEN EXCEPT AS AGREED TO IN WRITING BY CHATSWORTH PRODUCTS, INC.