

OPEN FOREMAN'S DESK

**READ INSTRUCTIONS CAREFULLY BEFORE ATTEMPTING
TO ASSEMBLE YOUR Tennsco FOREMAN'S DESK.
RETAIN INSTRUCTIONS FOR FUTURE REFERENCE!**



DESCRIPTION

Tennsco open shop desks are designed for use in offices, schools, institutions, businesses, and the industrial work place. They provide a sturdy writing table, a storage riser which is divided into four compartments for storing supplies, a drawer for storage of utensils and supplies (secured with a cam lock), and a shelf under the desktop drawer that can be used as a footrest or as a shelf for storage of larger items.

SPECIFICATIONS

Overall Dimensions	29"d x 34½"w x 53"h
Front Height	43½"h
Basic Construction	
Legs	13 gauge steel
Riser	20 gauge steel
Wrapper	20 gauge steel
Drawer Body	20 gauge steel

GENERAL SAFETY INFORMATION

Some parts may have sharp edges. CARE must be taken when handling various pieces to avoid injury. For safety, wear a pair of work gloves when assembling or performing any maintenance on workbench.

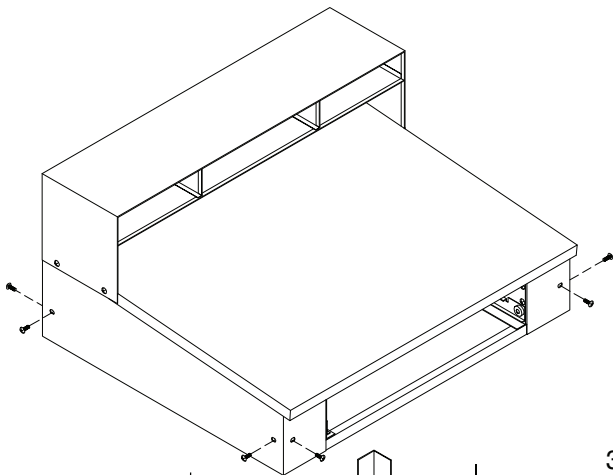
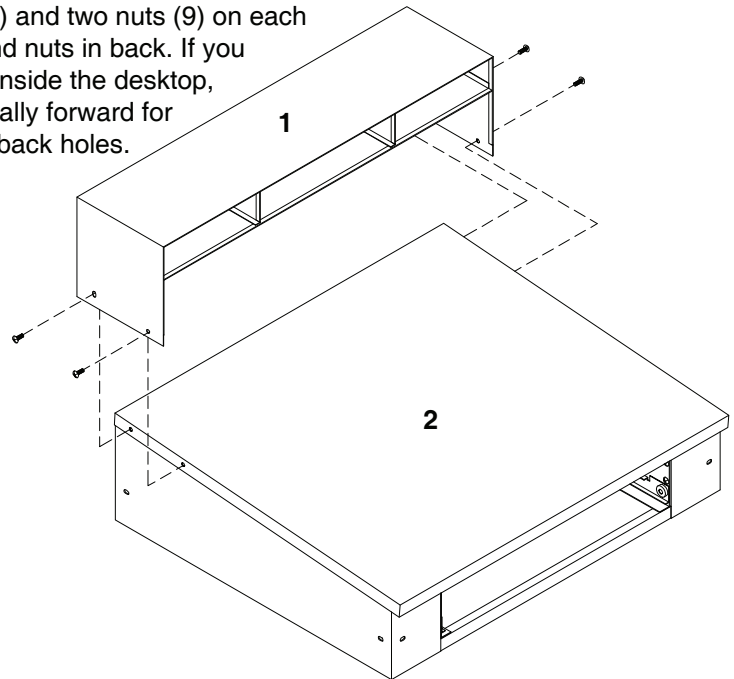
Step By Step Installation Instructions

Tools required: One slotted screwdriver and a 7/16" wrench or nutdriver.
Unit should be assembled on saw horses or any convenient flat surface.

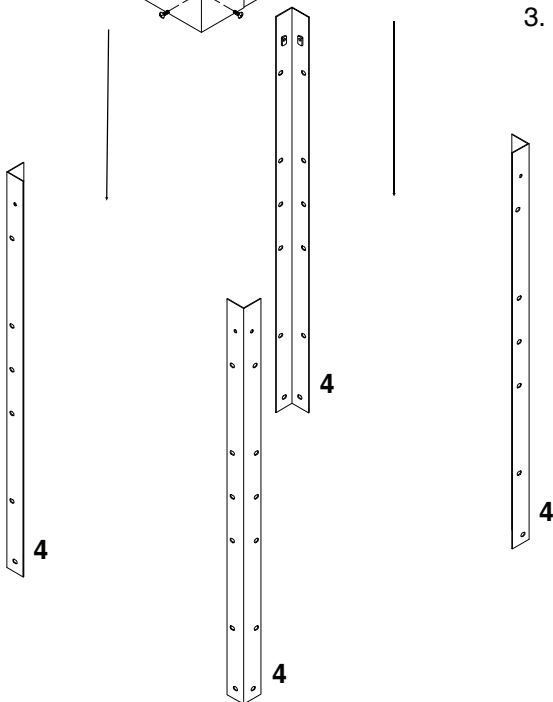
1. Remove all parts from carton and check against the parts list on back cover for any missing parts.

NOTE: The drawer has been placed inside the desktop for packaging purposes. While it is not necessary to remove the drawer to assemble the unit, you may wish to do so for easier access.

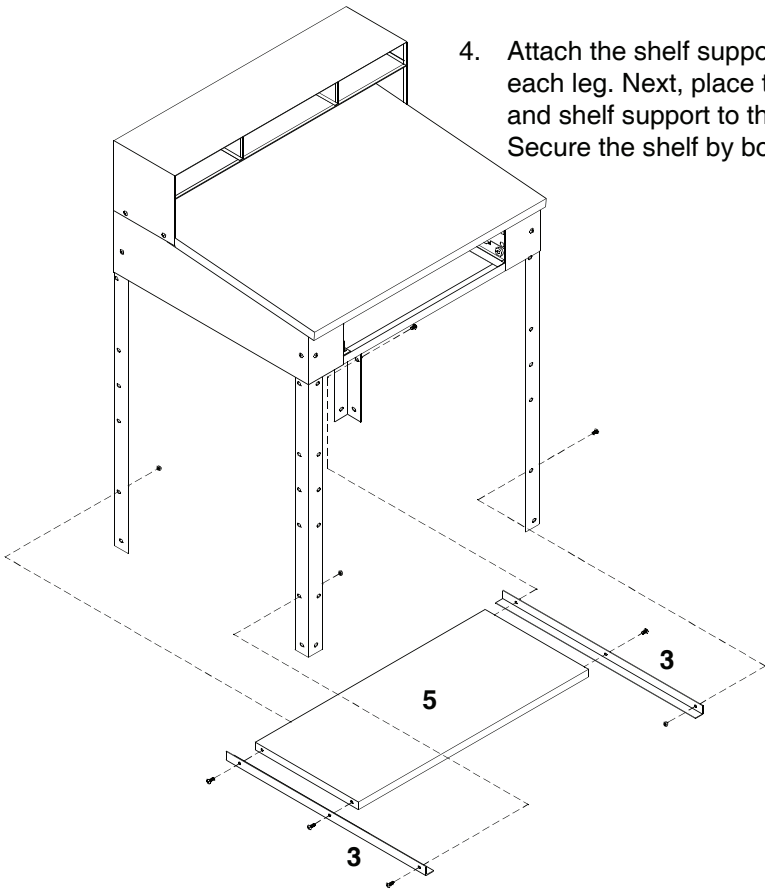
2. Attach the desk riser (1) to the desktop assembly (2) using two bolts (8) and two nuts (9) on each side and two bolts and nuts in back. If you have left the drawer inside the desktop, slide the drawer partially forward for easier access to the back holes.



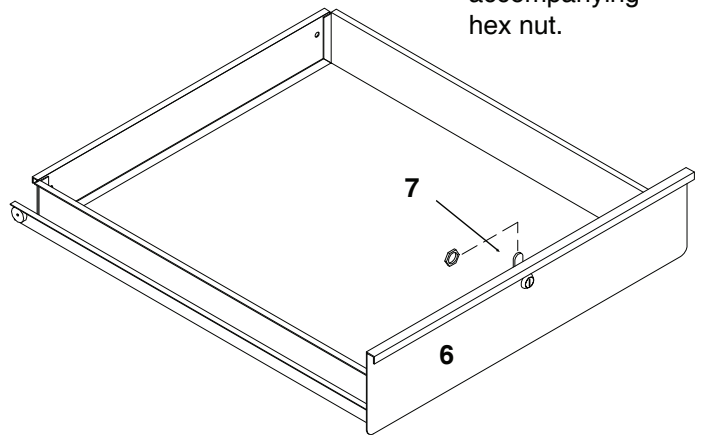
3. Attach four legs (4) to the desk top by attaching bolts into the two pre-welded nuts on each leg.



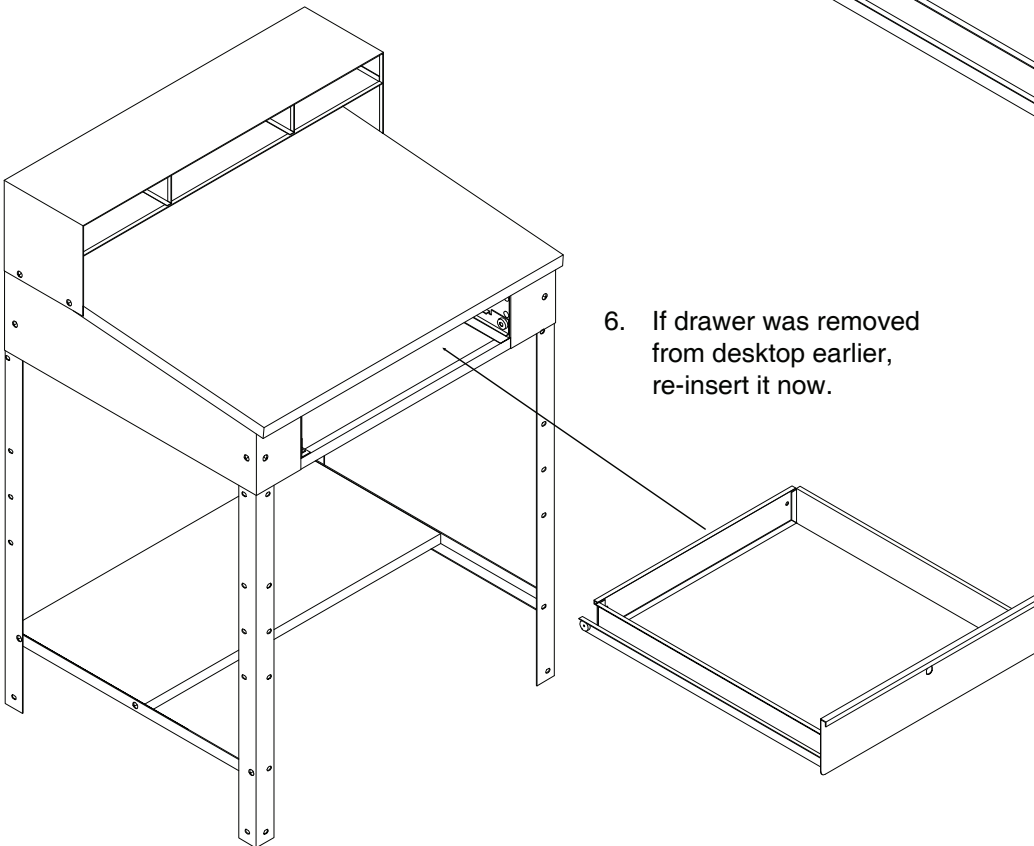
4. Attach the shelf supports (3) to the front legs, using one bolt on each leg. Next, place the shelf (5) into position and bolt the shelf and shelf support to the rear legs, again using one bolt per leg. Secure the shelf by bolting to each shelf support.



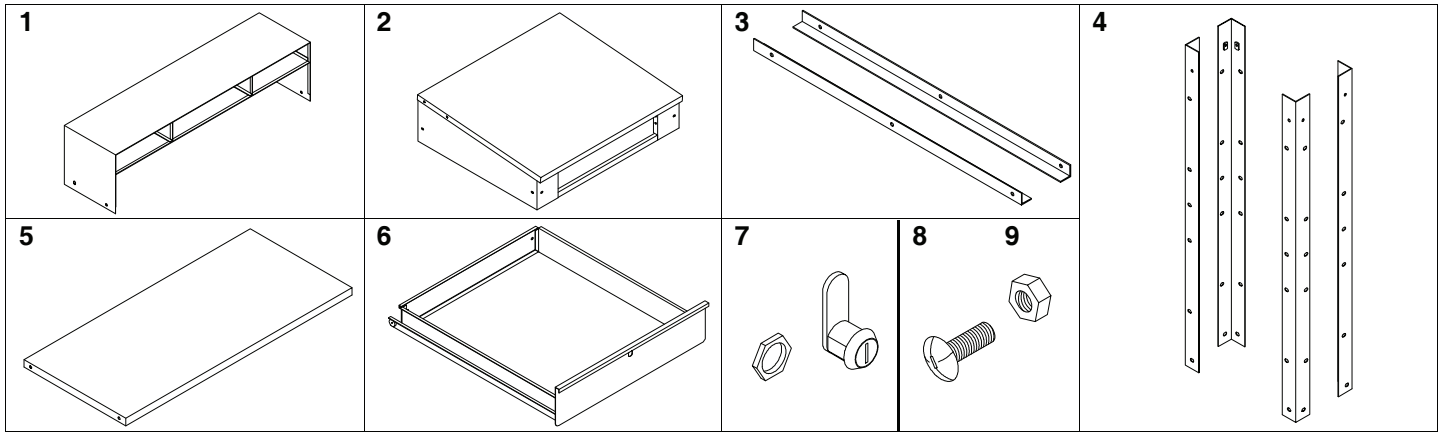
5. Insert drawer lock (7) into drawer front (6), then attach with accompanying hex nut.



6. If drawer was removed from desktop earlier, re-insert it now.



7. Make sure all bolts and nuts are tightened securely before using unit.



REF. NUMBER	DESCRIPTION	PARTS NO.	QTY.
1	Desk Riser	SR-12R	1
2	Desk Top Assembly	SR-13T	1
3	Shelf Supports	SR-31SS	2
4	Legs	SR-15LO	4
5	Shelf	SR-30S	1
6	Drawer	SR-28D	1
7	Drawer Lock & Hex Nut	CL-1	1
8	1/4"-20 x 5/8" Slotted Screws	◆	20
9	1/4"-20 Hex Nuts	◆	12

Tennsco makes every effort to ensure that all units ship complete with all parts and arrive undamaged. However, should your unit contain missing or damaged parts, replacements may be obtained directly from Tennsco. To obtain proper replacement parts, follow the instructions below:

TO OBTAIN PROPER REPLACEMENT PARTS, PLEASE PROVIDE THE FOLLOWING INFORMATION:

- Model Number
- Purchase Date
- Description of part(s) needed and part number(s) as shown in Parts List (above)
- Color
- Who product was purchased from
- Your company name
- Contact person's name

Tennsco Corp., P.O. Box 1888, Dickson, TN 37056-1888 Voice: (800) 251-8184 Fax: (800) 722-0134

If requesting parts by telephone, ask for customer service and have as much of the above information ready as possible.

LIMITED WARRANTY

Tennsco warrants goods purchased hereunder to be free of defects in materials and workmanship for a period of one (1) year from the date of shipment, hereunder. This warranty shall not apply in the event goods are damaged as a result of misuse, abuse, neglect, accident, improper application, modification or repair by persons not authorized by Seller, where goods are damaged during shipment, or where the date stamps on the goods have been defaced, modified or removed. UNLESS CONSIDERED UNENFORCEABLE OR UNLAWFUL UNDER APPLICABLE LAW:

a. ALL IMPLIED WARRANTIES, INCLUDING BUT NOT LIMITED TO WARRANTIES OR MERCHANTABILITY AND FITNESS FOR A PARTICULAR PURPOSE ARE HEREBY EXCLUDED.

b. BUYERS REMEDY, IF ANY, FOR ANY DEFECTIVE GOODS SHALL BE LIMITED TO A REFUND BY SELLER OR REPLACEMENT OF THE GOODS AT SELLER'S OPTION, AND SHALL IN NO EVENT INCLUDE DAMAGES OF ANY KIND, WHETHER INCIDENTAL, CONSEQUENTIAL OR OTHERWISE.

NO GOODS ACCEPTED FOR RETURN WITHOUT PRIOR APPROVAL. Seller shall have the right to inspect any goods claimed to be defective at Buyers place of business or require Buyer to return the goods to Seller for inspection on Seller's premises. Transportation charges covering returned goods will be borne by Seller only if such goods are proven to be defective, are covered by this warranty and are returned within the warranty period stated above.