

Builder Duo Oval

All Hydro Systems Builder's Series bathtubs and whirlpools are backed by our exclusive 5 year limited warranty and include the standard features.

Available Sizes:

66" L x 44" W x 18½" D
60 Gallons

74" L x 44" W x 18¾" D
80 Gallons



Builder Model Feature:

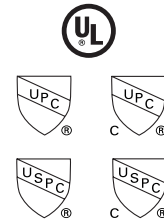
- White/Almond/Bone/Natural Acrylic/Fiberglass Bathtub
- Integral Wood Base
- 6 Jets Adjustable/Directional
- Air Switch
- Silent Air Induction
- Anti-Vortex Safety Suction
- 1¼ hp UL Listed Pump, mounted
- Sturdy Cardboard Box

Optional Equipment

- Available** as Tub only, Thermal Air, Whirlpool
- Inline Heater**
- Waste & Overflow**
 - Polished Chrome
 - Polished Brass
- System Trim**
 - Polished Chrome
 - Polished Brass
- Hydro Coat**
- Hydro Express Quick Ship**

Approvals & Listings

Commonwealth of Massachusetts
 UPC & USPC - US & Canada



Electrical Component

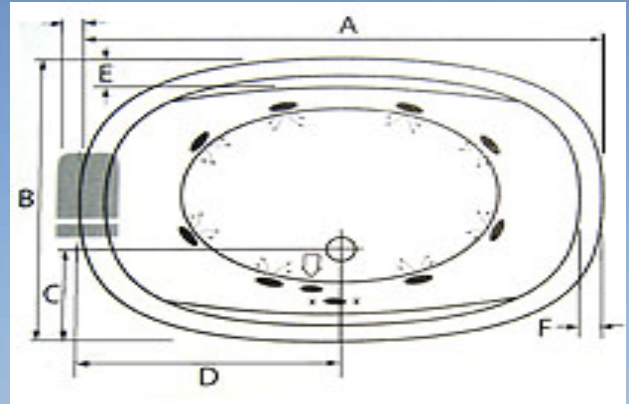
Electrical Requirements





Whirlpool (1.25 HP Single Speed Pump, 120V)	1 Dedicated 20 Amp GFCI Circuit
Thermal Air (1 HP Blower with 600 Watt Heater)	1 Dedicated 20 Amp GFCI Circuit
Inline Heater	
600 W	Shares Pump Circuit
1500 W	1 Dedicated 20 Amp GFCI Circuit

Builder Duo Oval



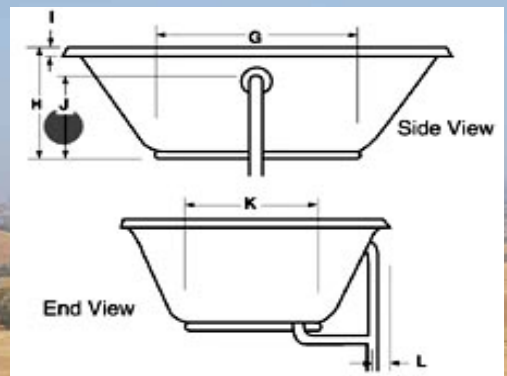
Must be set in Mortar Base



-  Pump motor
-  Jets
-  Anti-vortex suction
-  Overflow location

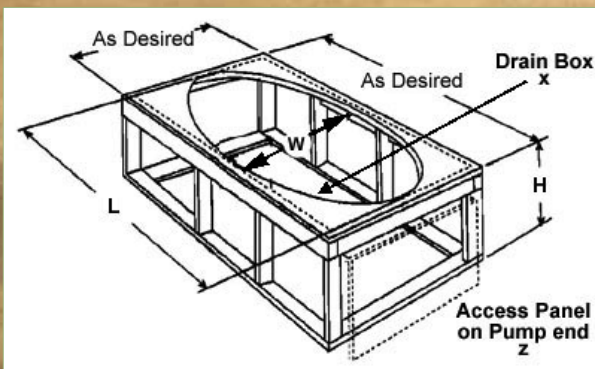
AS SHOWN:
Whirlpool option w/ standard jets

ALSO AVAILABLE:
Soaking Tub Only, Thermal Air,



Model	GC	AC	A	B	C	D	E	F	G	H	I	J	K	L	Jet	Pump	Wat.Cap.
6644	N/A	√	65½"	43¾"	12¾"	32¾"	4½"	3"	36"	18½"	1¾"	16"	26"	2¾"	8	1.25	60 gal.
7444	N/A	√	74¾"	44½"	12¾"	37¾"	5"	3"	43"	18¾"	1¾"	16¼"	26"	2¾"	8	1.25	80 gal.

Framing Dimensions



Island Drop-In			
Model	(L)ength	(W)idth	(H)eight Finish
6644	64"	42"	17¾"
7444	72"	42"	18"

Disclaimer: Certain options or altering the pump/blower location may cause the pump/blower to extend beyond the tub decking. For cutout dimensions wait for unit to arrive. All specifications subject to change without notice.