

Duo

The Duo is the essence of style and luxury. Designed for two, choose between the pillow headrest or the sculptured "Sweetheart" motif. Both models feature molded armrests and sloping backs.

Available Sizes:

60"L x 48"W x 18"D
65 Gallons

66"L x 42"W x 19"D
70 Gallons

66"L x 48"W x 19"D
80 Gallons

72"L x 48"W x 19"D
955 Gallons



Acrylic Tub – construction features

Acrylic models finished in 1/8" thick layer of deep lustrous acrylic.

Extra thick reinforced fiberglass.

Pre-wired pump on pump platform (standard pump location only)

Integral E-Z Level platform facilitates installation.

Non-skid bottom.

PVC Systems – include:

6 or 8 Fully directional adjustable PVC jets

Anti-vortex safety suction.

Color matched system trim

HydroOzone ozone sanitation system

Rigid PVC piping

Self draining pump and system

Soft Touch electronic on/off control with 30-min. integral timer

2.25 HP Single Speed Pump

Cable waste & overflow

Hydro Systems – Options:

Available as Tub only, Thermal Air, Whirlpool or Combo

Microban Antibacterial Protection

Extra High Density Fiberglass

Flange molded (Acrylic only)

Flange galvanized (Gelcoat only)

Waterfall fill Spout (recirculating option available) (Acrylic only)

Skirt

Custom jet and pump locations

Plated Metallic finish

Additional directional Jets

Swirling, Rotating, or Jumbo Jets

Micro Therapy Jet

Integral Waste & Overflow

1.5 HP Variable Speed Pump (digital temperature display optional)

Electronic low water protection

In-line Heater

Chromatherapy-LED Lighting System

Chromatherapy-LED Mini Spotlights

Mood Light

Grab Bars

Back Masseur

Neck Masseur Pillow

Hydro Fragrance

Hydro Fusion

Hydro Coat

Hydro Express quick ship

Approvals & Listings

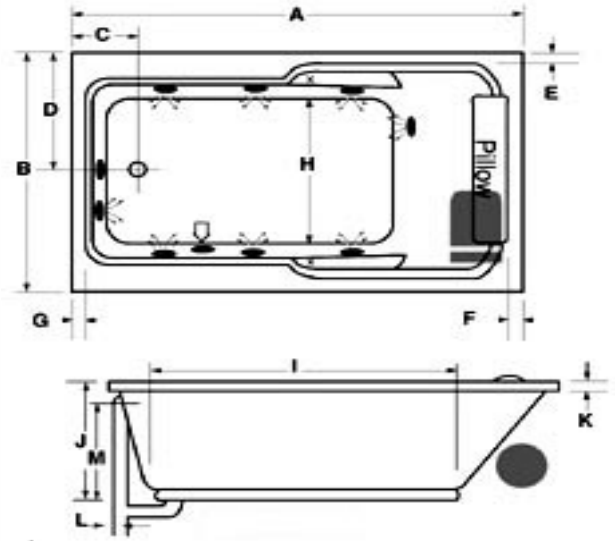
Commonwealth of Massachusetts
UPC & USPC - US & Canada







Duo



Must be set in Mortar Base

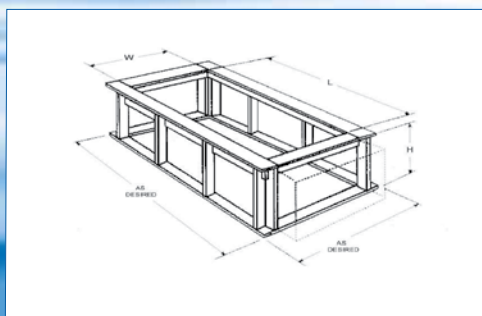


-  Pump motor
-  Jets
-  Anti-vortex suction
-  Overflow location

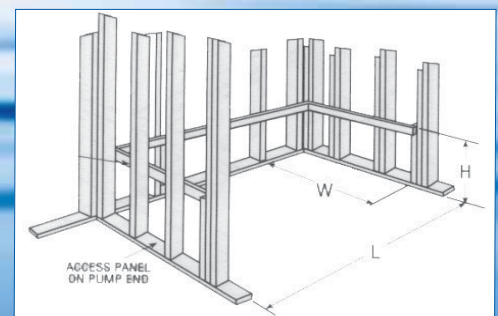
AS SHOWN:
Whirlpool option w/ standard jets

ALSO AVAILABLE:
Soaking Tub Only, Whirlpool,
Thermal Air, Combo

Model	GC	AC	A	B	C	D	E	F	G	H	I	J	K	L	M	Jet	Pump	Wat.Cap.
6048	√	√	60"	48"	8"	24"	2"	2"	2½"	32"	40"	17½"	1¾"	1½"	15"	6	2.25	65 gal.
6642	√	√	66"	42"	8"	21"	1¾"	2"	1¼"	27"	46"	19"	1¾"	1¼"	16½"	8	2.25	70 gal.
6648	√	√	66"	48"	8"	24"	2"	2"	2½"	32"	46"	19"	1¾"	1¾"	16½"	8	2.25	80 gal.
7248	√	√	72"	48"	8"	24"	2"	2"	2½"	32"	52"	19"	1¾"	1¾"	16½"	8	2.25	95 gal.
Amp	Volt	Breaker	Dedicated Service															
13.5	120	20 amp	GFCI Protected															



*Disclaimer: Certain options or altering the pump/blower location may cause the pump/blower to extend beyond the tub decking.
 For cutout dimensions wait for unit to arrive.
 All specifications subject to change without notice.*



Model	Island Drop-In			3 Wall Enclosure			
	(L)ength	(W)idth	(H)eighth Finish	(L)ength	(W)idth	(H)eighth Ledger	
						Metal Flange	Molded Flange
6048	58"	46"	18¼"	60"	48"	18¼"	19¾"
6642	64"	40"	18¼"	66"	42"	18¼"	19¾"
6648	64"	46"	18¼"	66"	48"	18¼"	19¾"
7248	70"	46"	18¼"	72"	48"	18¼"	19¾"