

# Lorraine

## Available Sizes:

- 60"L x 42-I"W x 22"D  
70 Gallons
- 60"L x 42-II"W x 20"D  
70 Gallons
- 60"L x 42-III"W x 20"D  
70 Gallons
- 60"L x 42-IV"W x 20"D  
70 Gallons
- 74"L x 44-I"W x 20"D  
90 Gallons
- 74"L x 44-II"W x 20"D  
90 Gallons
- 74"L x 44-III"W x 20"D  
90 Gallons
- 77"L x 44-IV"W x 20"D  
90 Gallons



### Acrylic Tub – construction features

- Acrylic** models finished in 1/8" thick layer of deep lustrous acrylic.
- Extra thick** reinforced fiberglass.
- Pre-wired** pump on pump platform (standard pump location only)
- Integral E-Z Level** platform facilitates installation.
- Non-skid** bottom.

### PVC Systems – include:

- 8 Fully** directional adjustable PVC jets
- Anti-vortex** safety suction.
- Color matched** system trim
- Hydrozone** ozone sanitation system
- Rigid PVC** piping
- Self draining** pump and system
- Soft Touch** electronic on/off control with 30-min. integral timer
- 2.25 HP** Single Speed Pump
- Cable** waste & overflow

### Hydro Systems – Options:

- Available** as Tub only, Thermal Air, Whirlpool or Combo
- Microban** Antibacterial Protection
- Extra High** Density Fiberglass
- Armrests** available
- Custom** jet and pump locations
- Plated** Metallic finish
- Additional** directional Jets
- Swirling**, Rotating, or Jumbo Jets
- Micro** Therapy Jet
- Integral** Waste & Overflow
- 1.5 HP** Variable Speed Pump (digital temperature display optional)
- Electronic** low water protection
- In-line Heater
- Chromatherapy-LED** Lighting System
- Chromatherapy-LED** Mini Spotlights
- Mood** Light
- Grab** Bars

- Back** Masseuse
- Neck** Masseuse Pillow
- Hydro** Fragrance
- Hydro** Fusion
- Hydro** Coat
- Hydro** Express quick ship

### Approvals & Listings

Commonwealth of Massachusetts  
 UPC & USPC - US & Canada



# Lorraine







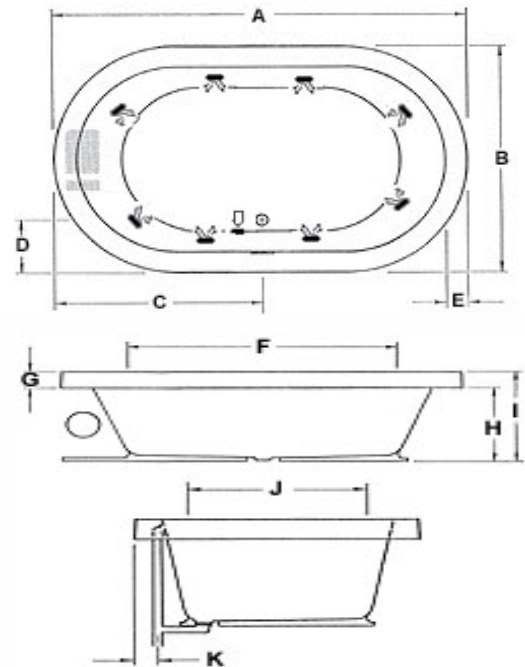
Must be set in Mortar Base

**AS SHOWN:**  
Whirlpool option w/ standard jets

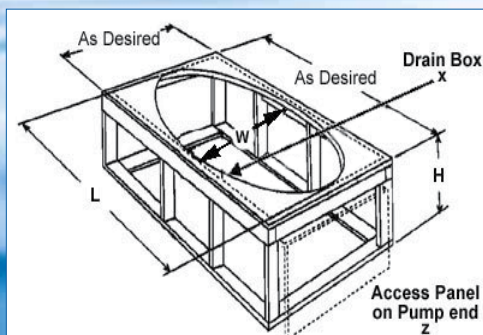
**ALSO AVAILABLE:**  
Soaking Tub Only, Whirlpool, Thermal Air, Combo



-  Pump motor
-  Jets
-  Anti-vortex suction
-  Overflow location



Model	GC	AC	A	B	C	D	E	F	G	H	I	J	K	L	Jet	Pump	Wat.Cap.
6042-I	N/A		60"	42"	30"	10"		36"	1"	21"	22"	26"	3½"	18"	8	2.25	70 gal
6042-II	N/A								2"	20"				18"			
6042-III	N/A								3"	19"				18"			
6042-IV	N/A								4"	18"				18"			
7444-I	N/A		74"	44"	37"	10"	4"	50"	1"	21"				18"	8	2.25	90 gal.
7444-II	N/A								2"	20"				18"			
7444-III	N/A								3"	19"				18"			
7444-IV	N/A								4"	18"				18"			
<b>Amps</b>			<b>Volts</b>			<b>Breaker</b>			<b>Dedicated Service</b>								
13.5			120			20 amp			GFCI Protected								



Model	(L)ength	(W)idth	(H)eight Finish
6042-I	58"	40"	22"
6042-II	58"	40"	21"
6042-III	58"	40"	20"
6042-IV	58"	40"	19"
7444-I	72"	42"	22"
7444-II	72"	42"	21"
7444-III	72"	42"	20"
7444-IV	72"	42"	19"

*Disclaimer: Certain options or altering the pump/blower location may cause the pump/blower to extend beyond the tub decking. For cutout dimensions wait for unit to arrive. All specifications subject to change without notice.*