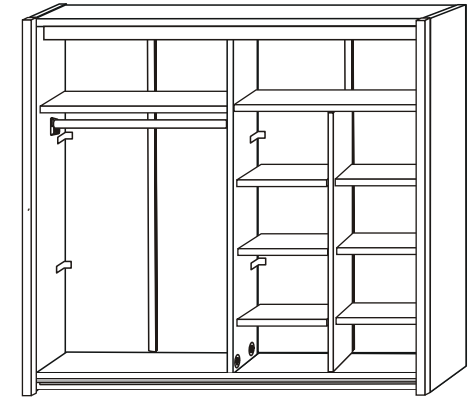
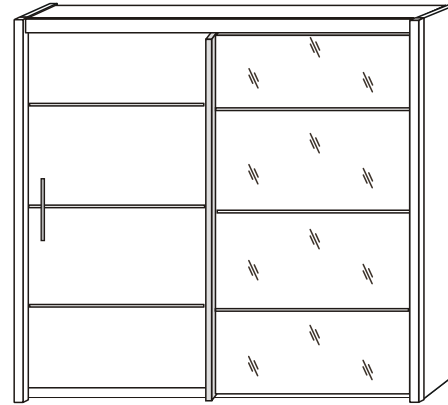
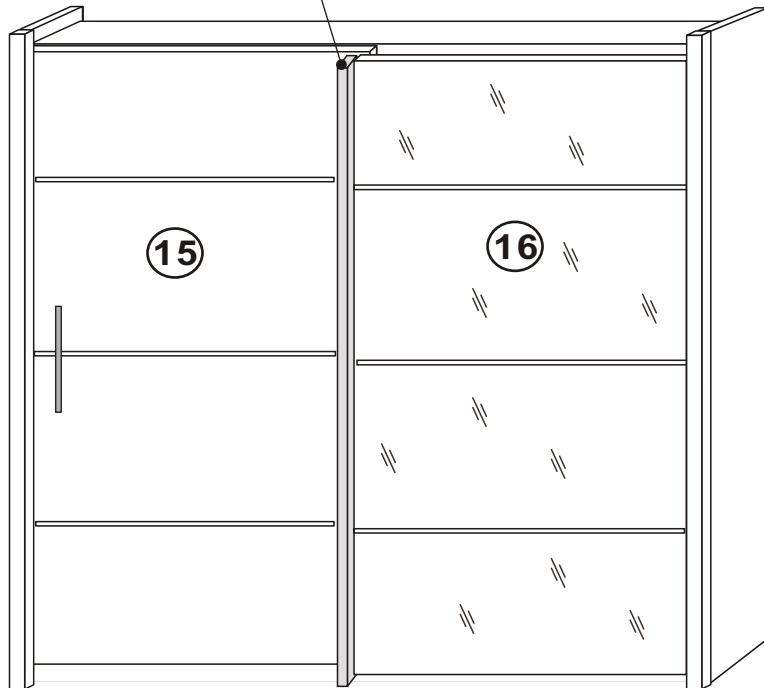


option "b"



14

13

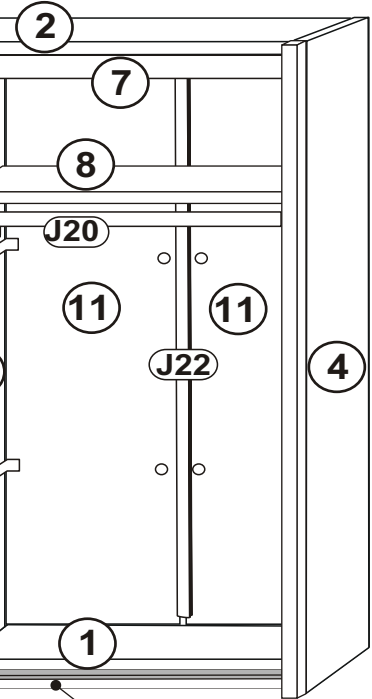


option "a"

14



2



7

J22

8

8

11

11

J20

11

11

9

9

5

J22


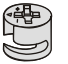
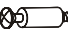



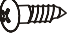









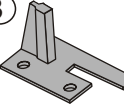
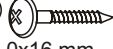
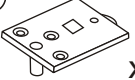

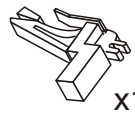
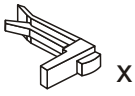
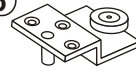

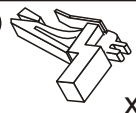
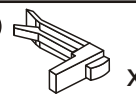
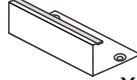


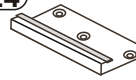








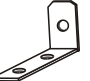
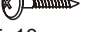
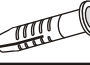

4

9

9

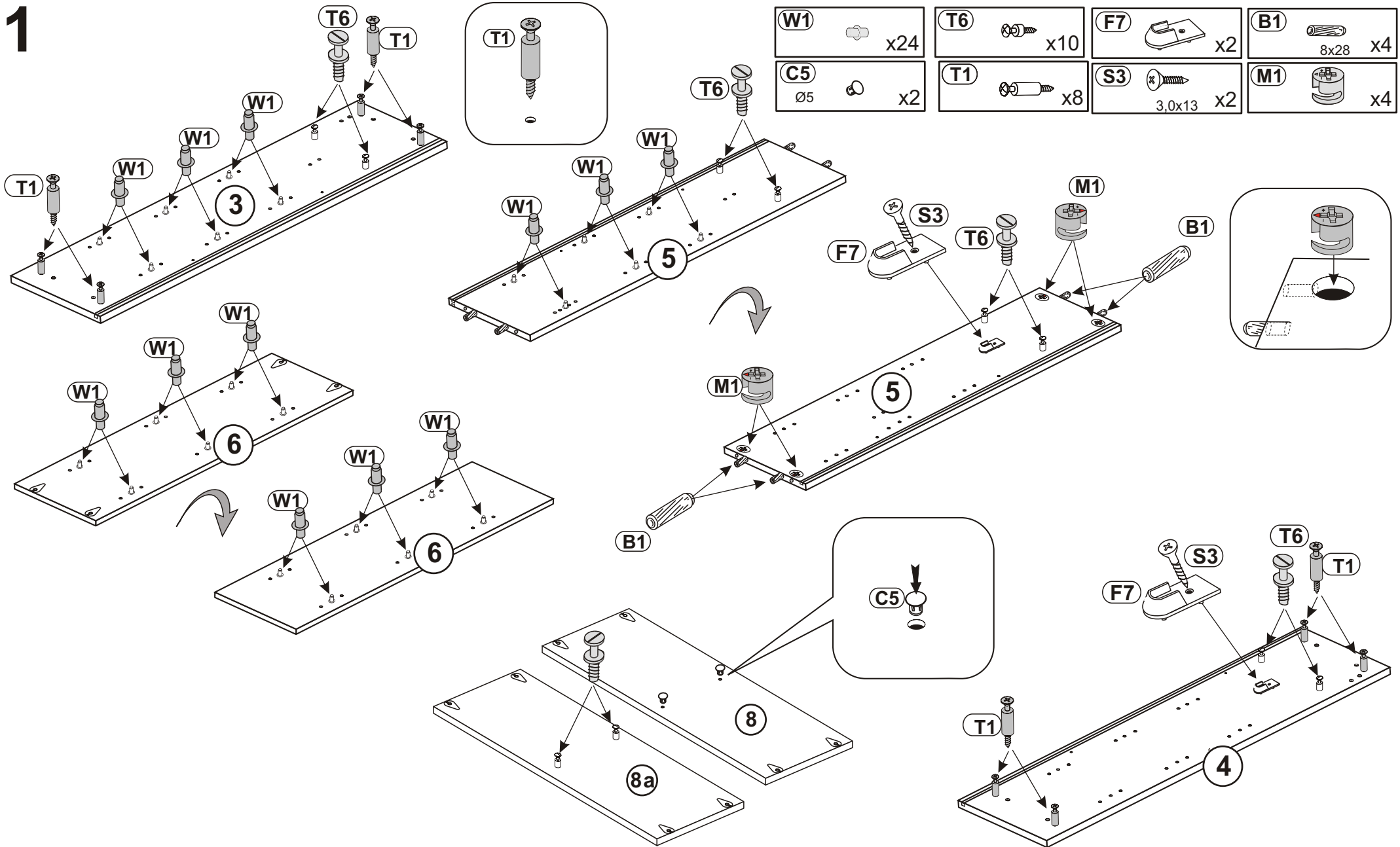
1

10







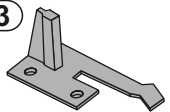


<p>1</p> <p>T6  x12</p> <p>M1  x17</p> <p>T1  x17</p> <p>B1  8x28 x14</p> <p>K1  7x50 x3</p> <p>C1  2 x2</p> <p>P16  4,2x12 x12</p> <p>M6  x12</p> <p>C2  Ø15 x12</p> <p>C3  Ø10 x12</p> <p>W1  x24</p> <p>L1  x1</p> <p>A1  M4x20 x8</p>	<p>2</p> <p>F7  x2</p> <p>S3  3,0x13 x2</p> <p>C5  Ø5 x4</p> <p>R3  x2</p> <p>P3  4,0x16 mm x4</p>	<p>3</p> <p>E7  x2</p> <p>E2  4,0x13 x6</p> <p>R2  x1</p> <p>R1  x1</p>	<p>4</p> <p>E6  x2</p> <p>E2  4,0x13 x6</p> <p>R2  x1</p> <p>R1  x1</p>	<p>5</p> <p>E3  x2</p> <p>E1  6,3x11 x4</p> <p>E5  x2</p>	<p>6</p> <p>E4  x2</p> <p>E1  6,3x11 x4</p> <p>E5  x2</p>	<p>7</p> <p>U10  L=256 x1</p> <p>A5  M4x40 x2</p> <p>S3  3,0x13 x8</p> <p>S3  3,0x13 x18</p> <p>L4  x3</p> <p>L5  x1</p>	<p>8</p> <p>J11  x2</p> <p>P13  3,5x13 mm x4</p> <p>T13  x2</p> <p>S15  x2</p>
--	---	--	--	--	--	--	---

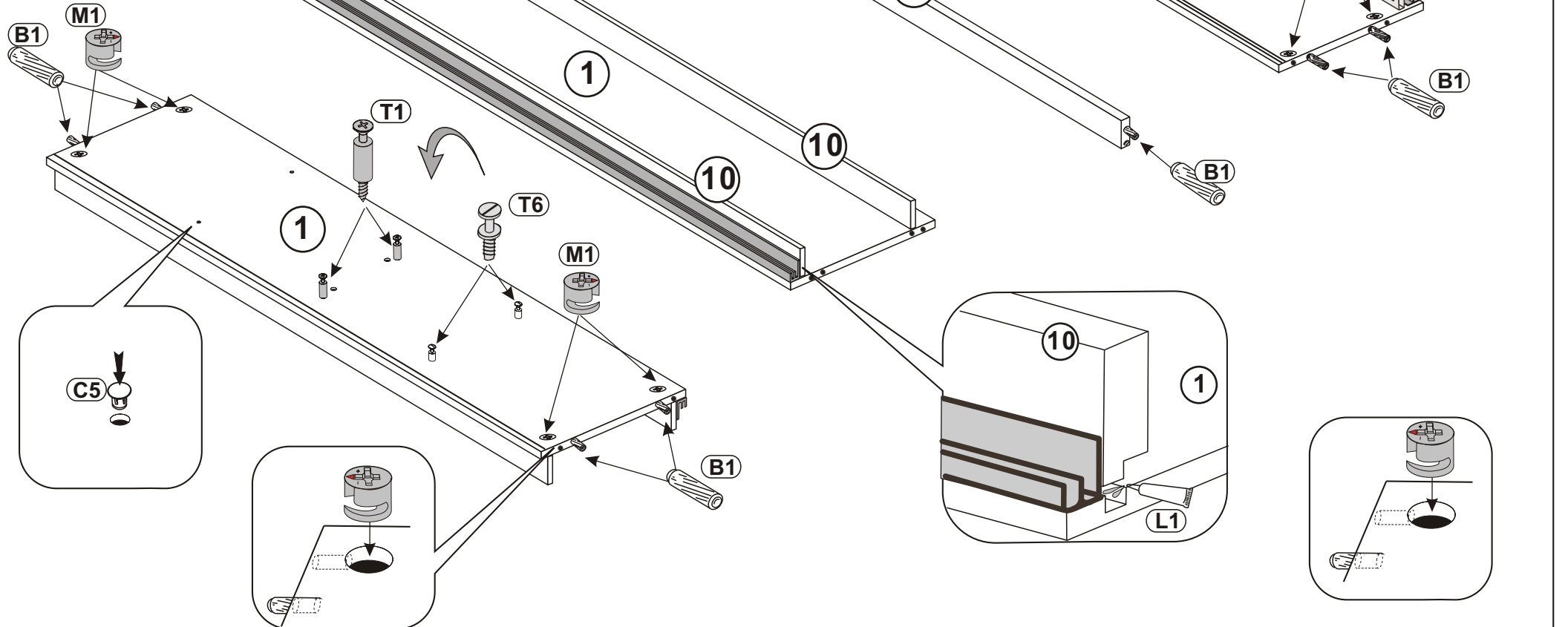


1



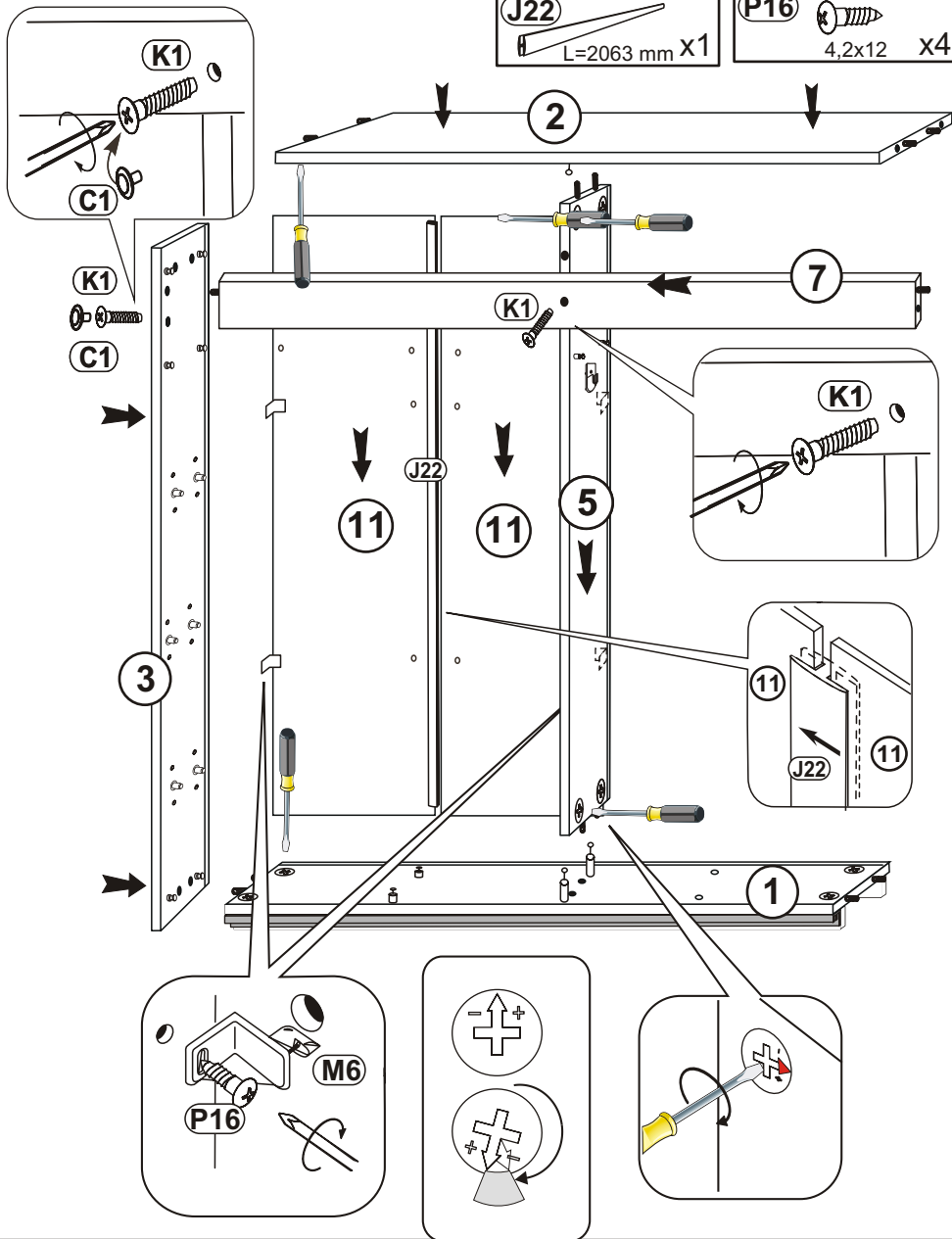
2

M1  x8	L1  x1	C5 Ø5  x2
A1 M4x20  x8	T1  x4	T6  x2
R3  x2	B1 8x28  x10	
P3 4,0x16 mm  x4		



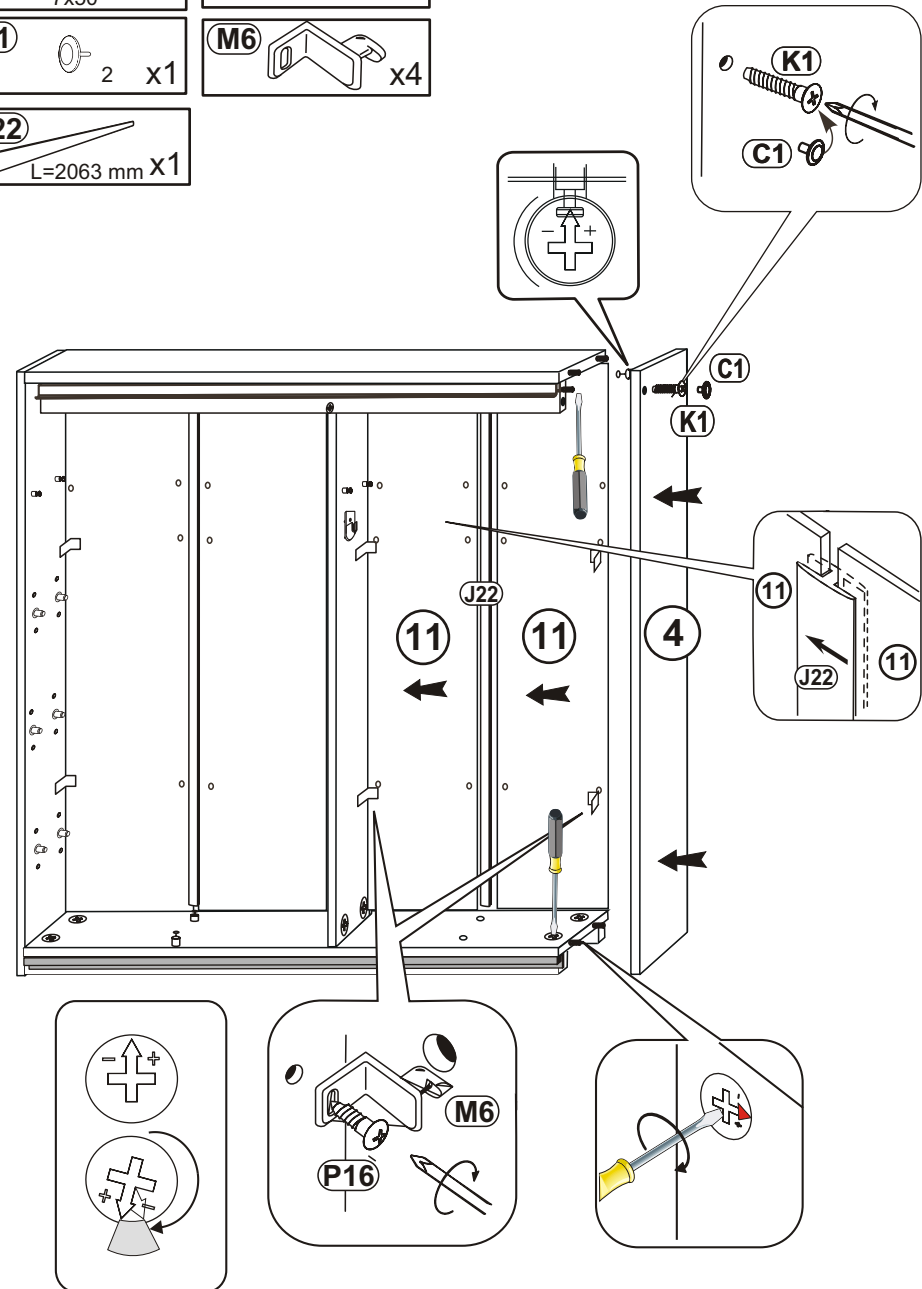
3

- K1** 7x50 x2
- C1** 2 x1
- M6** 4 x4
- J22** L=2063 mm X1
- P16** 4,2x12 x4





4

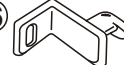
- K1** 7x50 x1
- P16** 4,2x12 x4
- C1** 2 x1
- M6** 4 x4
- J22** L=2063 mm X1

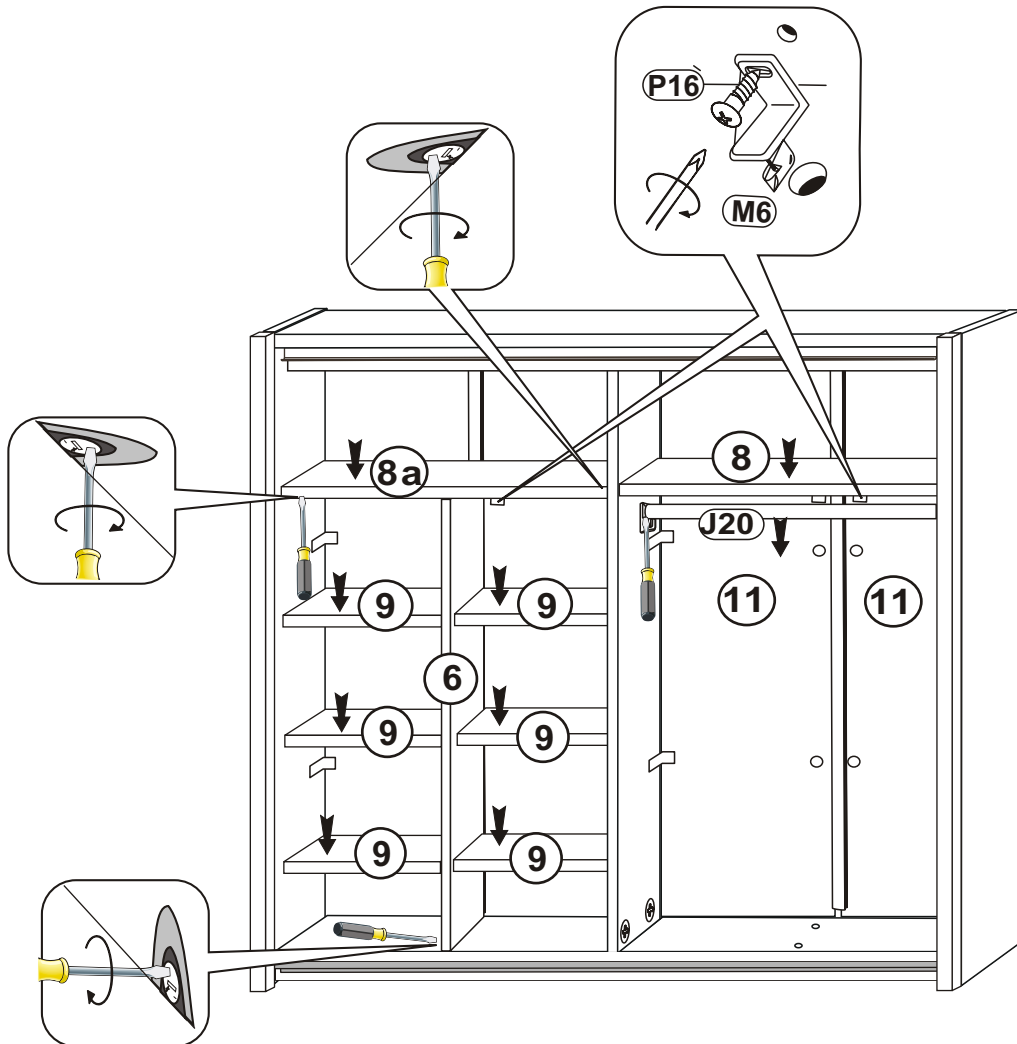


5


P16  4,2x12 x4

J20  L=966 mm X1

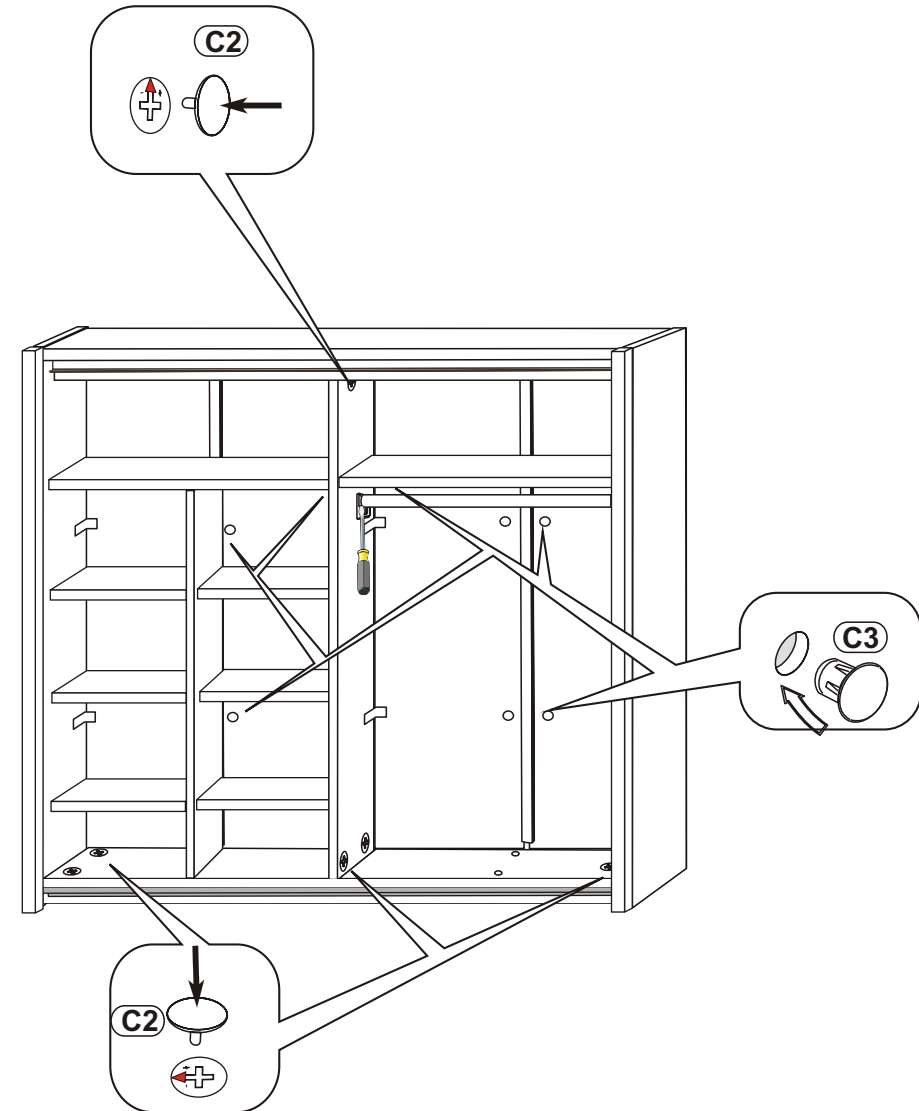
M6  x4



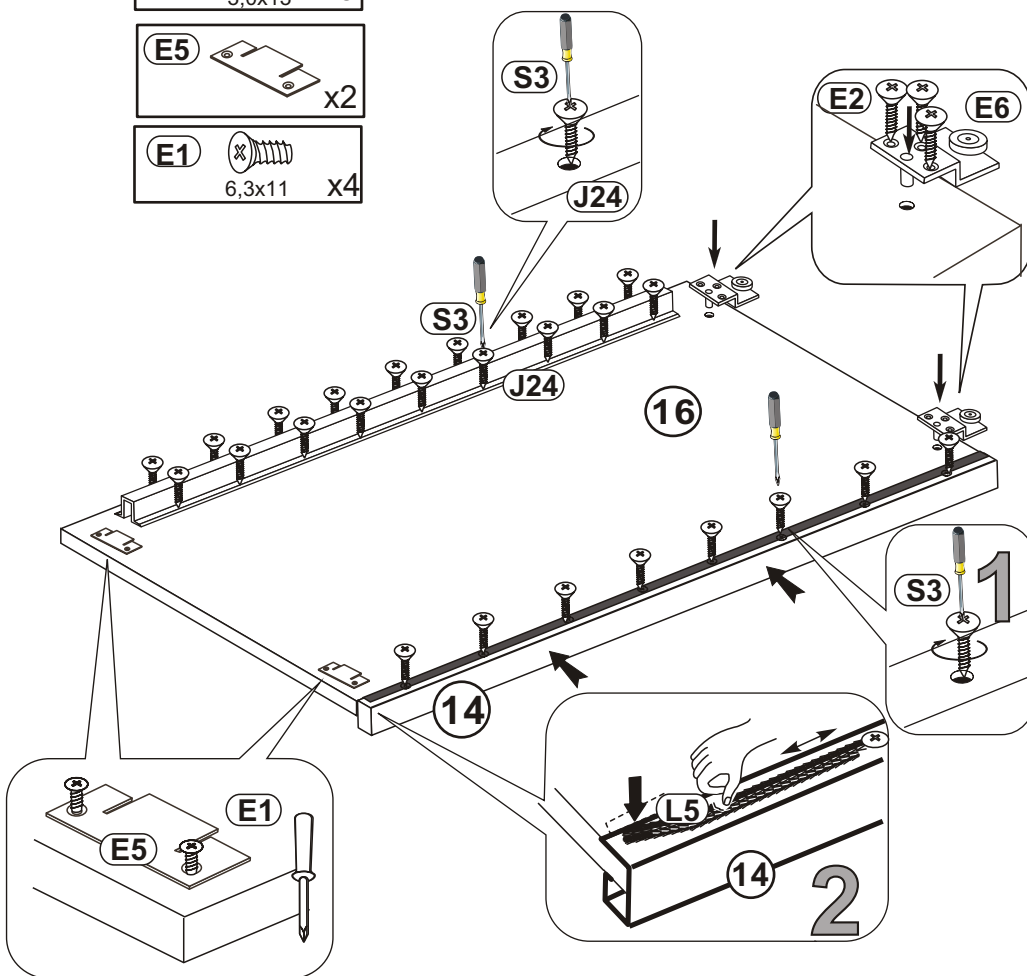
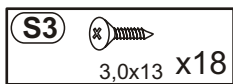
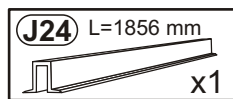
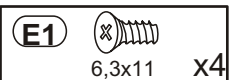
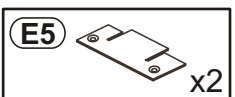
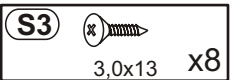
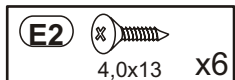
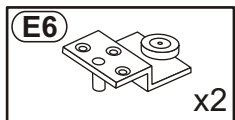
6

C2  Ø15 x12

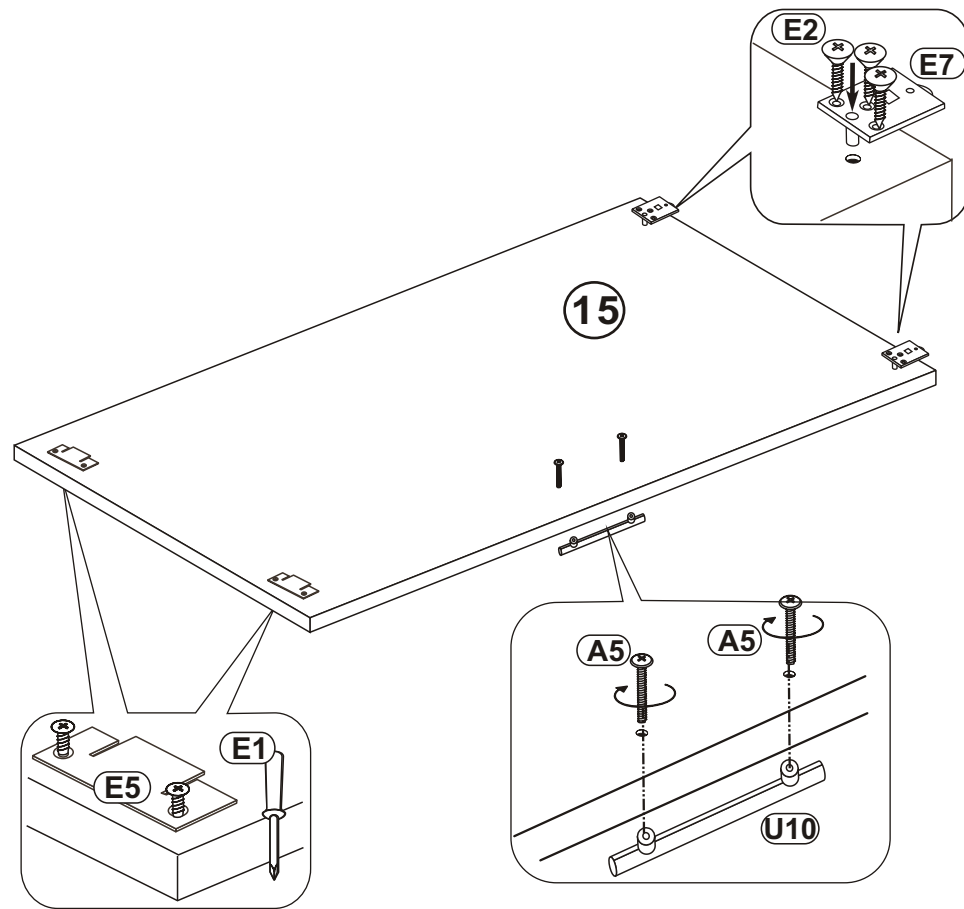
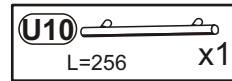
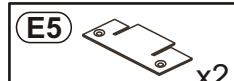
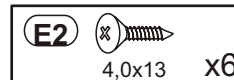
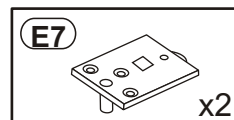
C3  Ø10 x12



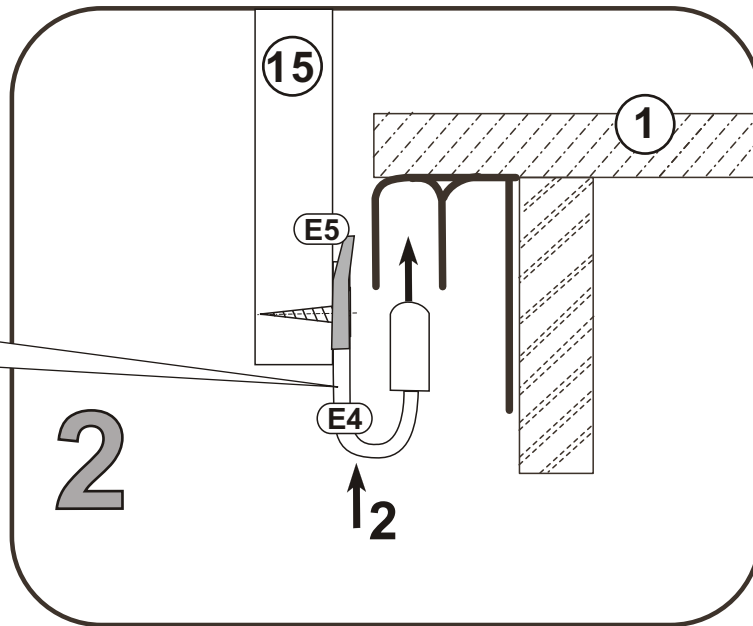
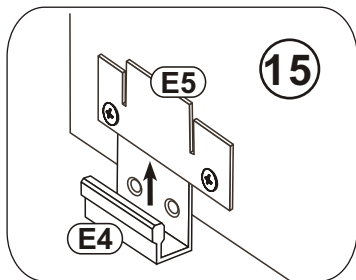
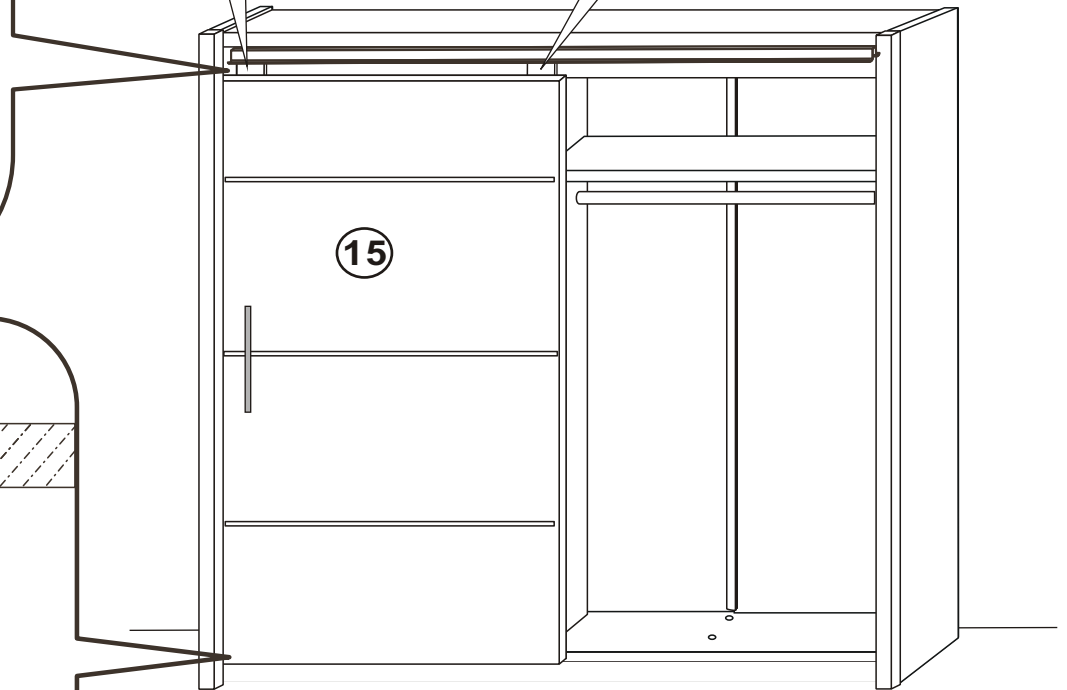
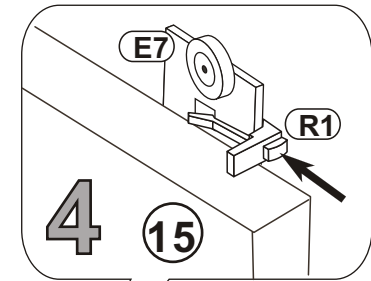
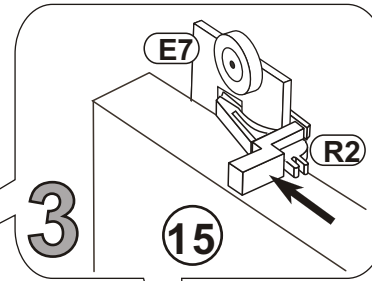
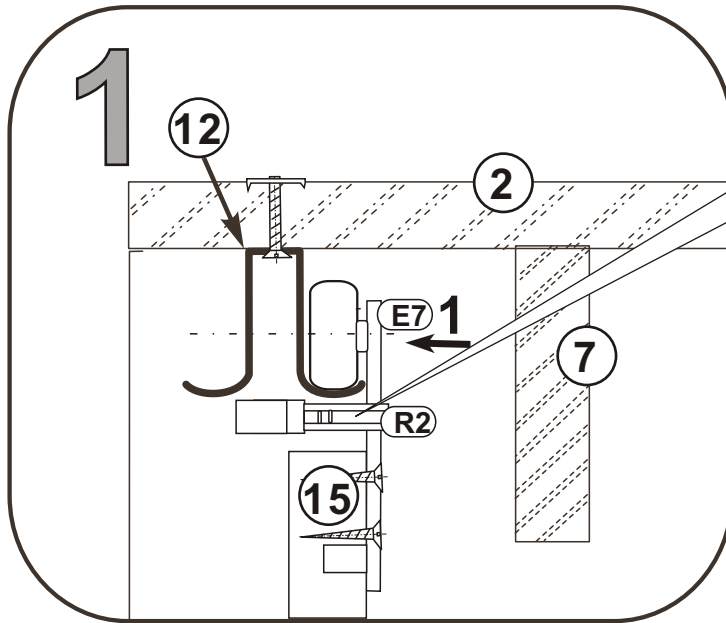
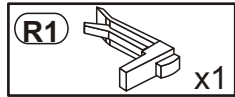
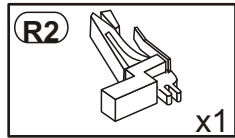
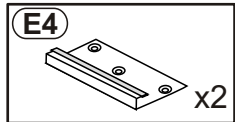
7



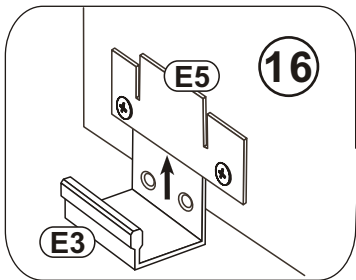
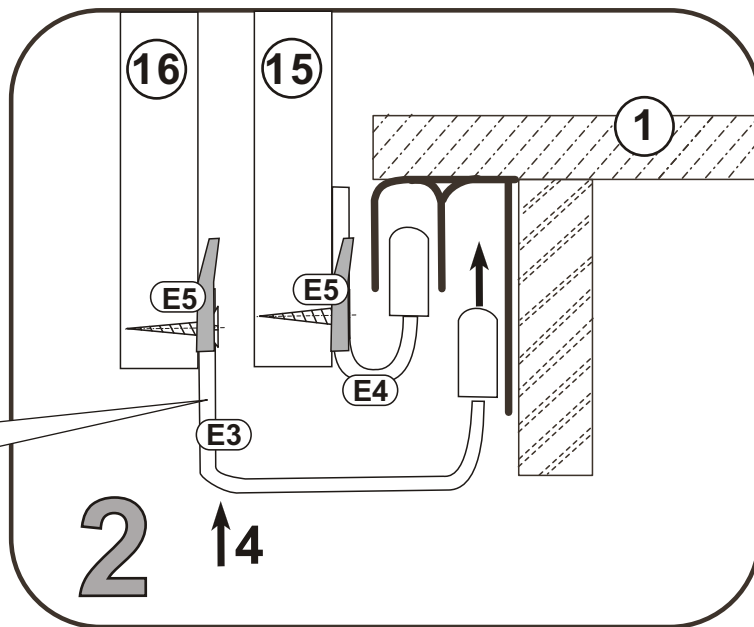
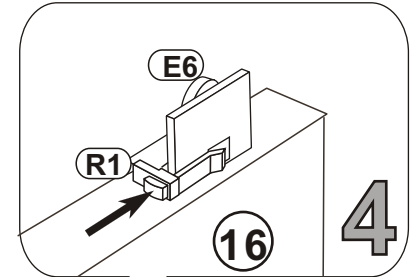
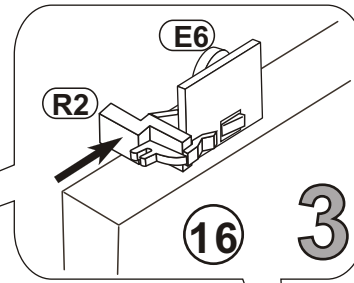
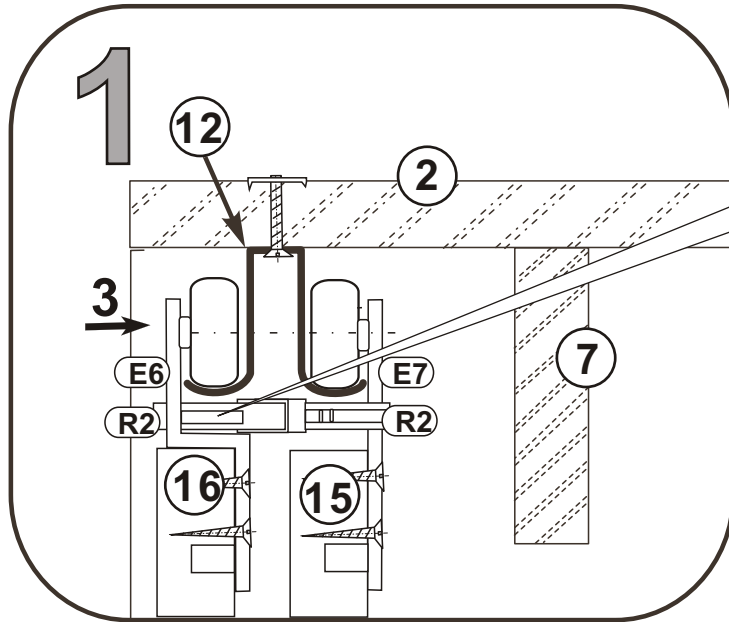
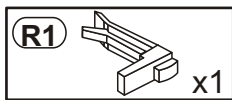
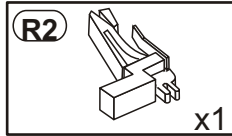
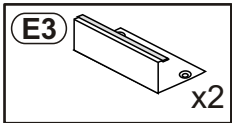
8



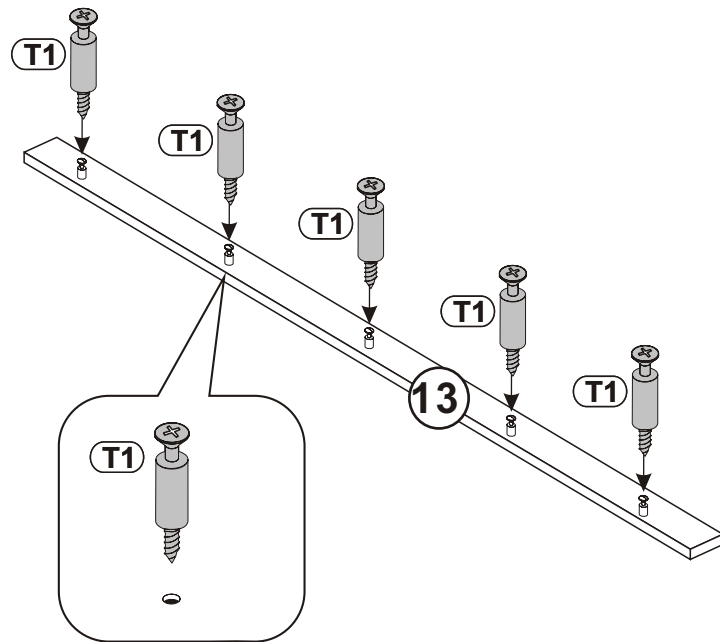
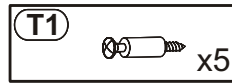
9



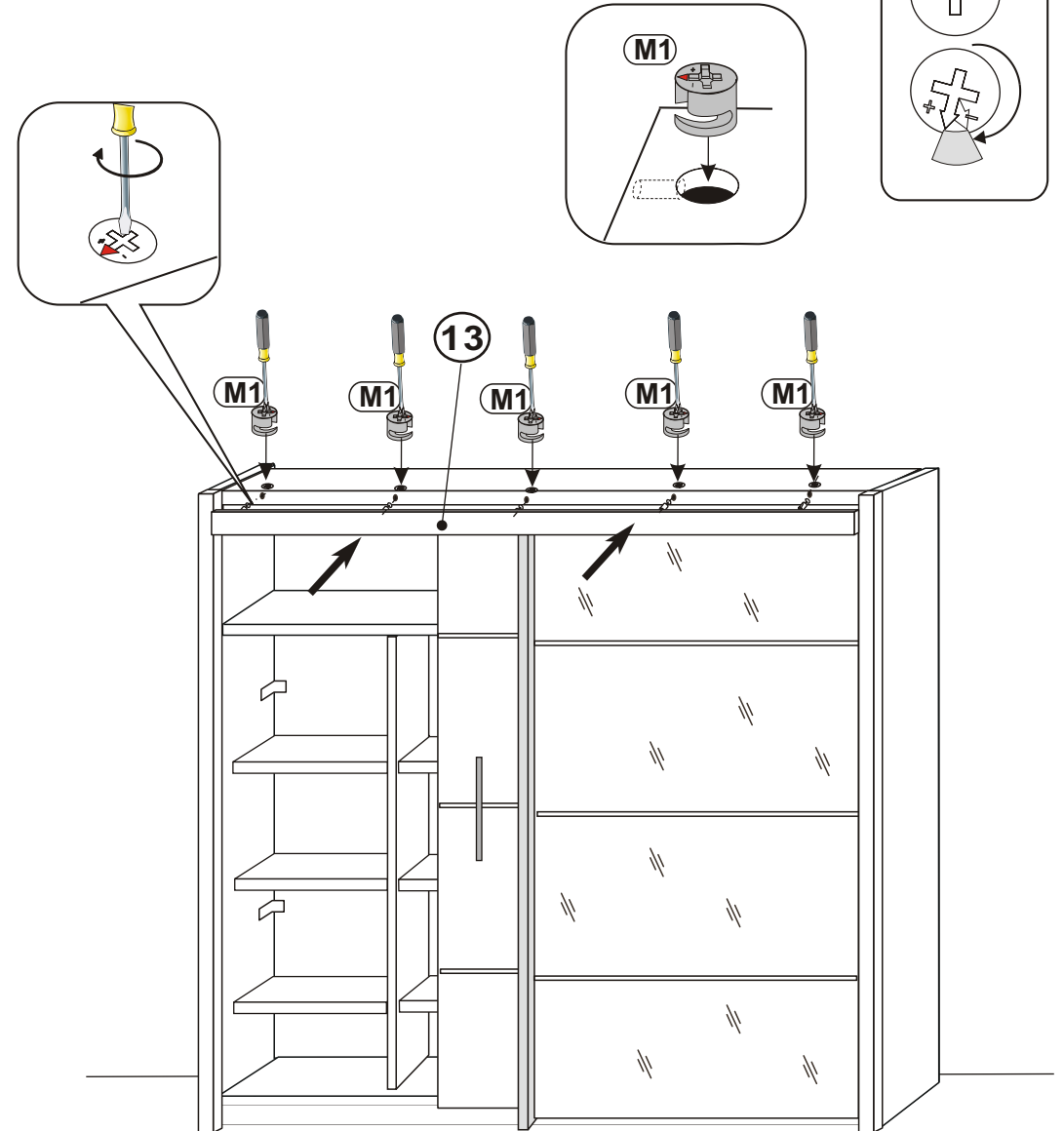
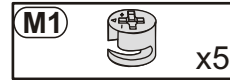
10



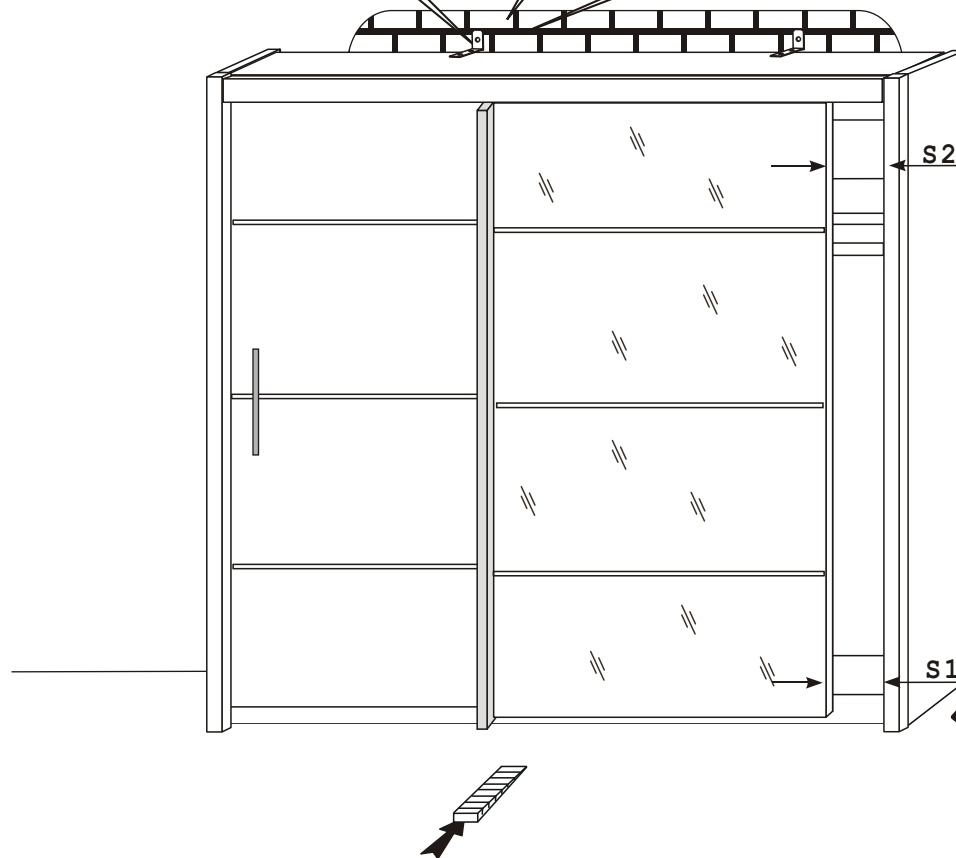
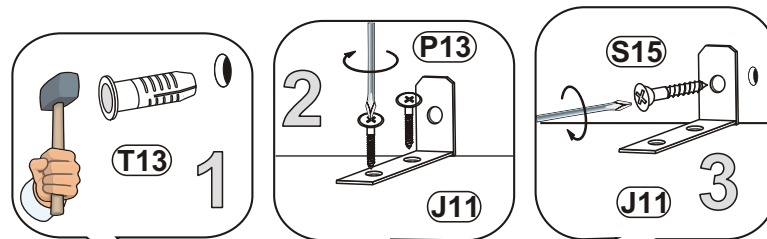
11



12



13



- (PL)** Załączone kołki do zawieszania bryty, do stosowania wyłącznie do ścian betonowych, do innych ścian należy odpowiednie dokupić.
- (GB)** Attached dowels to hang up unit are for concrete walls only. For other types of walls, appropriate dowels must be purchased
- (D)** Die beigelegten Dübel zum Aufhängen des Elements dürfen nur bei Betonwänden eingesetzt werden, bei anderen Wandarten müssen entsprechende Dübel zugekauft werden.
- (F)** Les chevilles jointes, pour pendre l'élément, sont pour les murs bétonnés exclusivement; pour autres murs il faut acheter chevilles adéquates

