

5" AND 4" E-PRO DOWNLIGHT

Economical downlights in 4" and 5" sizes

5" AND 4" E-PRO DOWNLIGHT

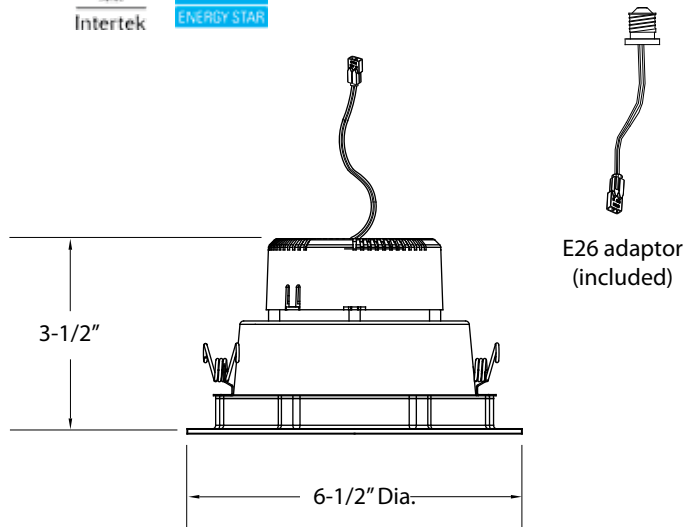
Save at least 80% in energy costs – 9.6 watt LED versus 65 watt BR6540 for 5" downlight or 7.6 watt LED versus 50 watt 50R20 for 4" – by using the E-PRO Series.

FEATURES

- Direct LED replacement for 5" and 4" recessed incandescent or compact fluorescent downlights
- Long life, low maintenance LEDs last 35,000 hours (average life) and reduce maintenance costs by eliminating frequent lamp replacements
- Dimmable with most standard incandescent dimmers!
- Easy to install – just remove existing lamp and trim, attach adaptor to existing housing and secure LED downlight with built-in clips (4") or built-in torsion springs (5")
- 2700K* and 3000K Warm White LED light and high color rendering produce attractive general lighting with true color rendering
- Highly efficient - efficacies from 69-73 lumens per watt!
- Offered in three trim finishes – white, dark bronze and brushed steel – enabling a broad variety of retrofit or new install options
- New interchangeable adaptor design offers Title 24 compliance (see AL-GU24, facing page)
- Suitable for damp locations
- Five year warranty



5" E-PRO



Dark Bronze



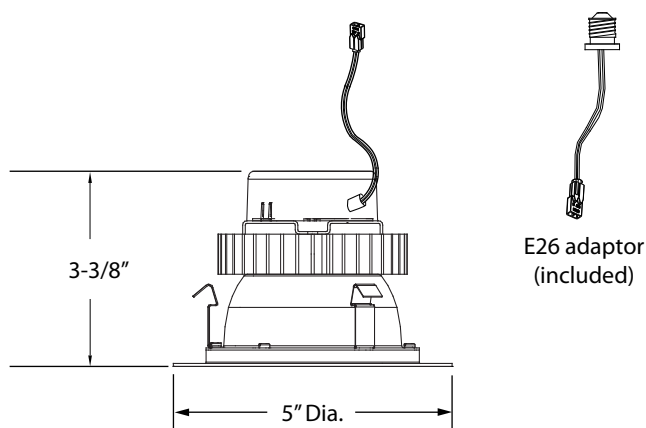
Brushed Steel



White



4" E-PRO



DOWNLIGHTS

—

E26

=—

EP5* = 5" Downlight
EP4 = 4" Downlight

*EP5 is available in 3000K only (all finishes).

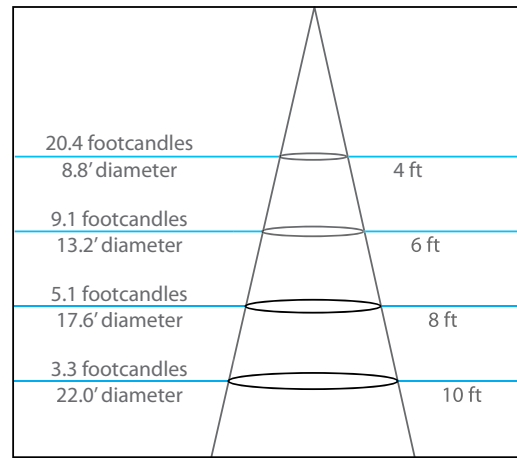
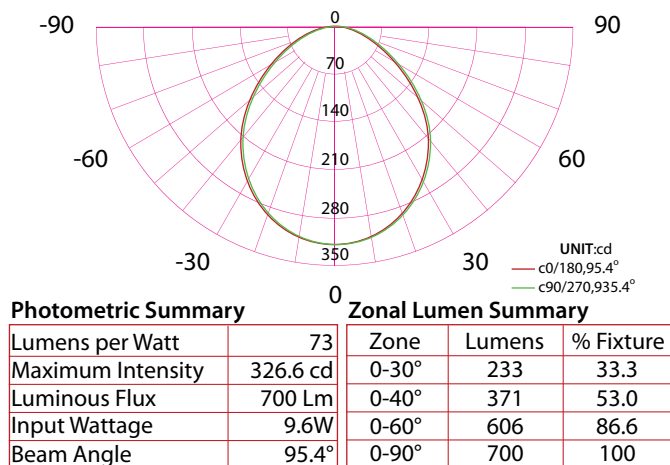
27 = 2700K
30 = 3000K

DB = Dark Bronze
BS = Brushed Steel
WH = White

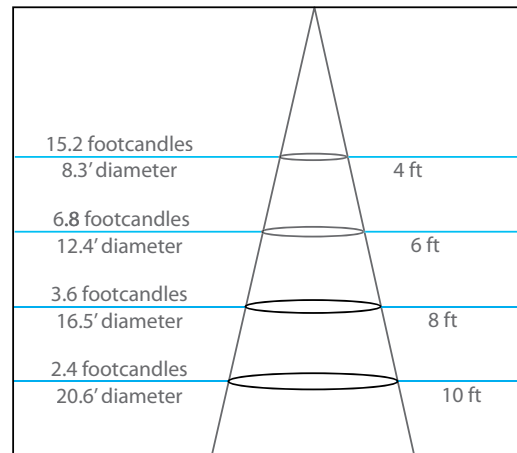
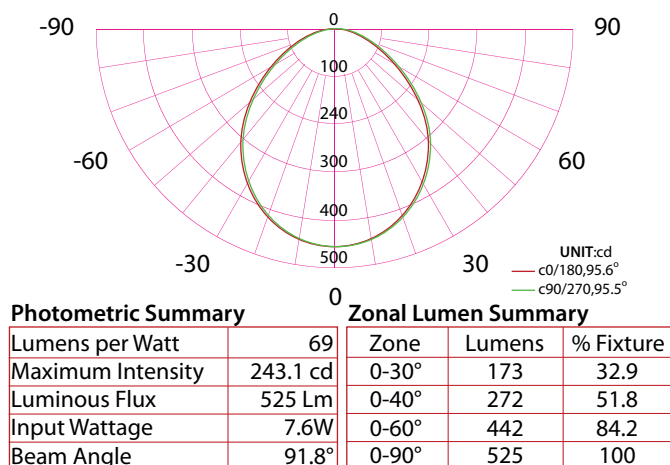


AL-GU24 (optional)
8" GU24 connector with molex connection. Required for Title 24 compliance. Replaces screw-in socket connection.

5" E-PRO – 3000K



4" E-PRO – 3000K



TECHNICAL SPECIFICATIONS

Voltage	120V, 60 Hz AC operation
Construction	SMD LEDs and integrated driver with aluminum back (heat sink)
Mounting	Recessed only
Light output	EP5-E26-30-WH = 700 lumens; EP4-E26-30-WH = 525 lumens
Wattage	EP5 = 9.6 watts; EP4 = 7.6 watts
LED specs	Samsung, 35,000 hour rated life; 81 CRI; EP5 = 95.3° beam angle; EP4 = 91.8° beam angle
Dimmers	Dimmable with most standard incandescent, CFL/LED and low voltage electronic dimmers
Diffuser	Frosted polycarbonate lens
Packaging	Retail box, 6 boxes per case



H

