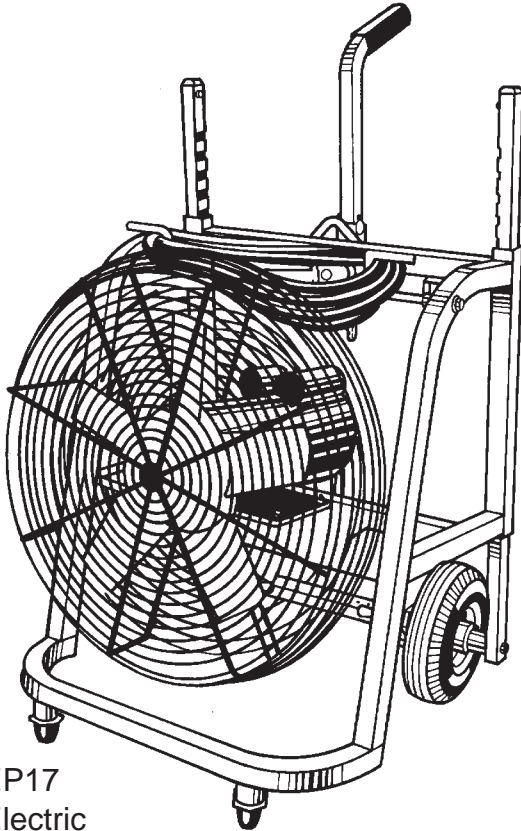
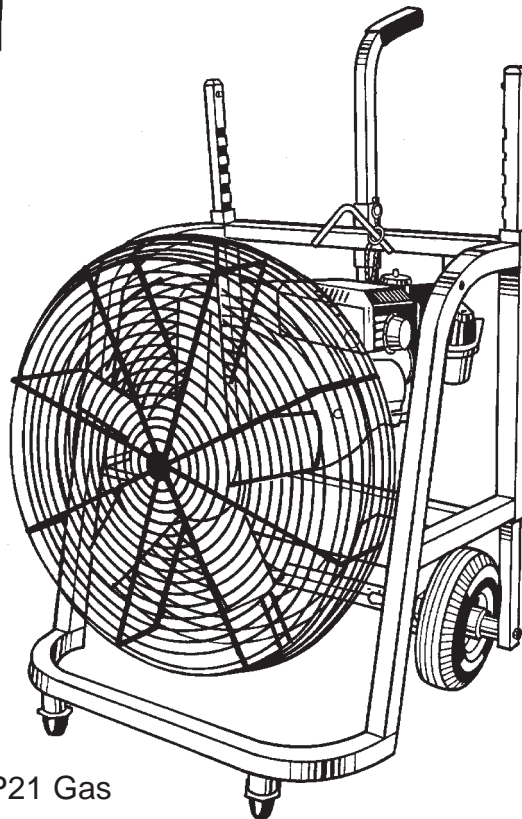


Service Parts Section EP17 and GP21 Series

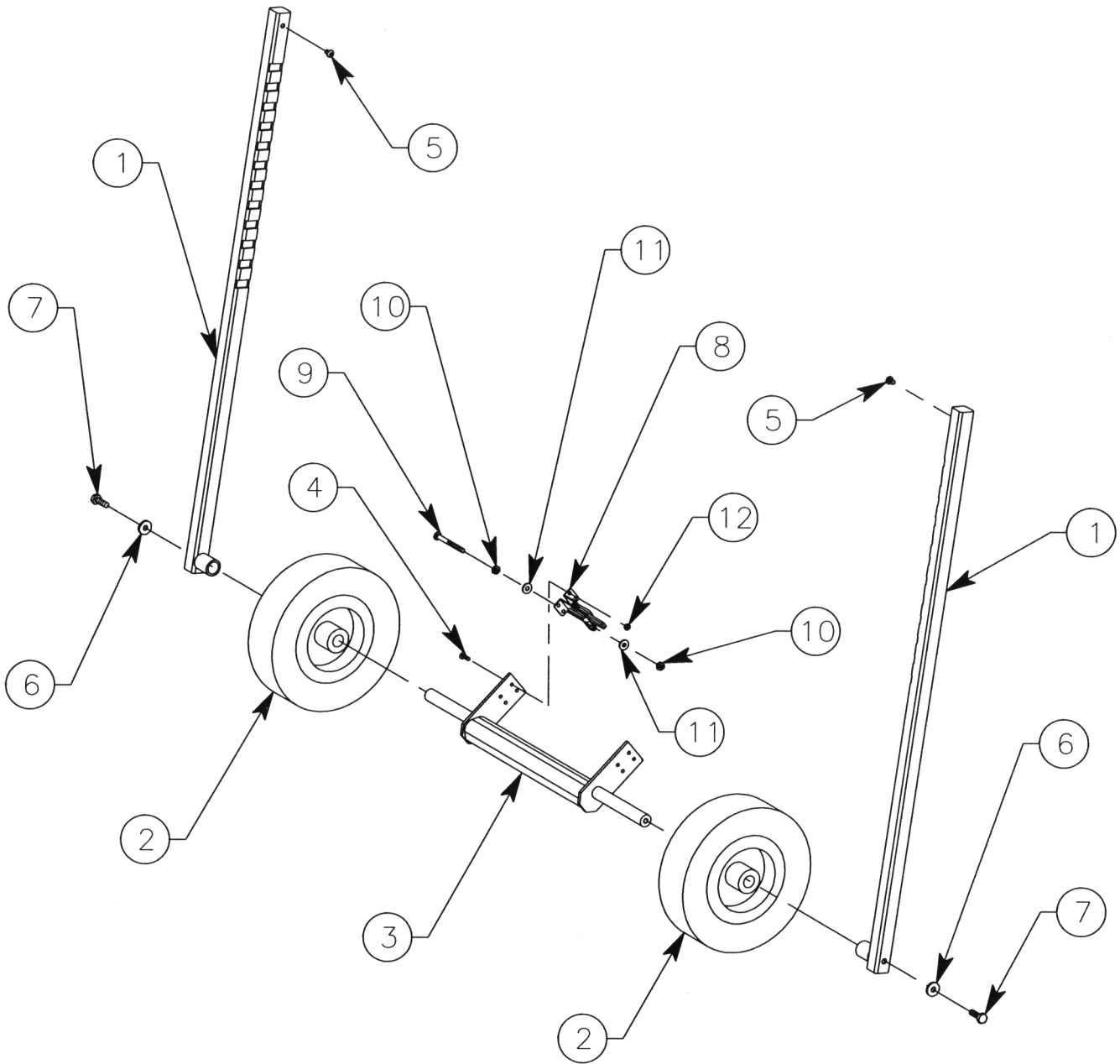


EP17
Electric



GP21 Gas

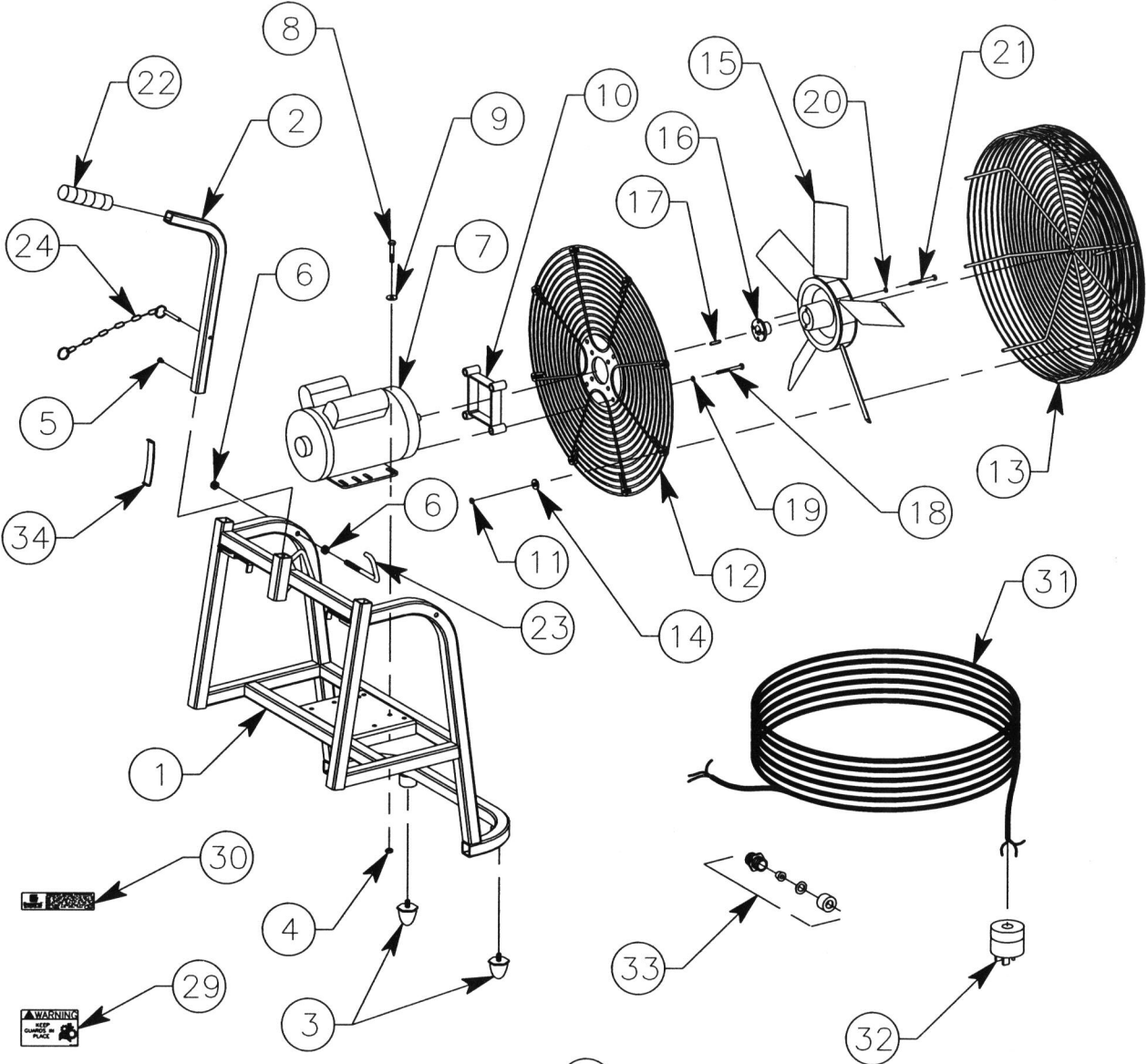
Axle Assembly EP17 And GP21 Blowers



Axle Assembly EP17 And GP21 Blowers

Reference Number	PART NUMBER	DESCRIPTION	QTY
1	GP21-0120	Leg, Adjustable	2
2	GP21-0070	Wheel (8")	2
3	GP21-0050	Axle	1
4	37030500	Screw, Pan Head, #10 UNC x 5/8", Plated	8
5	37040200	Screw, Pan Head, 1/4-20 UNC x 1/4", Plated	2
6	17060000	Washer, Flat, 3/8", Plated	2
7	15060800	Screw, Cap, 3/8-16 UNC x 1", Plated	2
8	CS8-0050-080	Clamp, Hold-Down	2
9	34041800	Screw, Machine, Rd Hd, 1/4-20 UNC x 2-1/4", Plated	2
10	18040000	Nut, Hex, 1/4-20 UNC, Plated	4
11	17040000	Washer, Flat, 1/4", Plated	4
12	53030000	Nut, Hex, Nylock®, #10 UNC	8

Frame Assembly EP17 Blower



WARNING DEPLOY BOTH PARKING BRAKES AS REQUIRED BY PREVAILING JOBSITE AND ENVIRONMENTALLY RELATED CONDITIONS TO KEEP MACHINE FROM PRODUCING UNEXPECTED MOVEMENT IN ANY SPECIFIC DIRECTION.

WARNING FOR HEIGHT ADJUSTMENT, SLIDE THE LATCHES TO THE CENTER OF THE UNIT, RAISE OR LOWER THE FRAME TO ALLOW THE CATCH MECHANISM TO PROPERLY REPOSITION AND/OR OPERATIONAL PROCEDURES CAN RESULT IN PROPERTY DAMAGE AND/OR PERSONAL INJURY.

WARNING KEEP BODY PARTS AND FOREIGN OBJECTS CLEAR OF THE ROTATING PROPELLER. DO NOT ALLOW FOREIGN MATERIAL ACCUMULATIONS ON THE SURFACES OF THE PROPELLER. SURETY, IMPROPER MAINTENANCE AND/OR OPERATIONAL PROCEDURES CAN RESULT IN PROPERTY DAMAGE AND/OR PERSONAL INJURY.

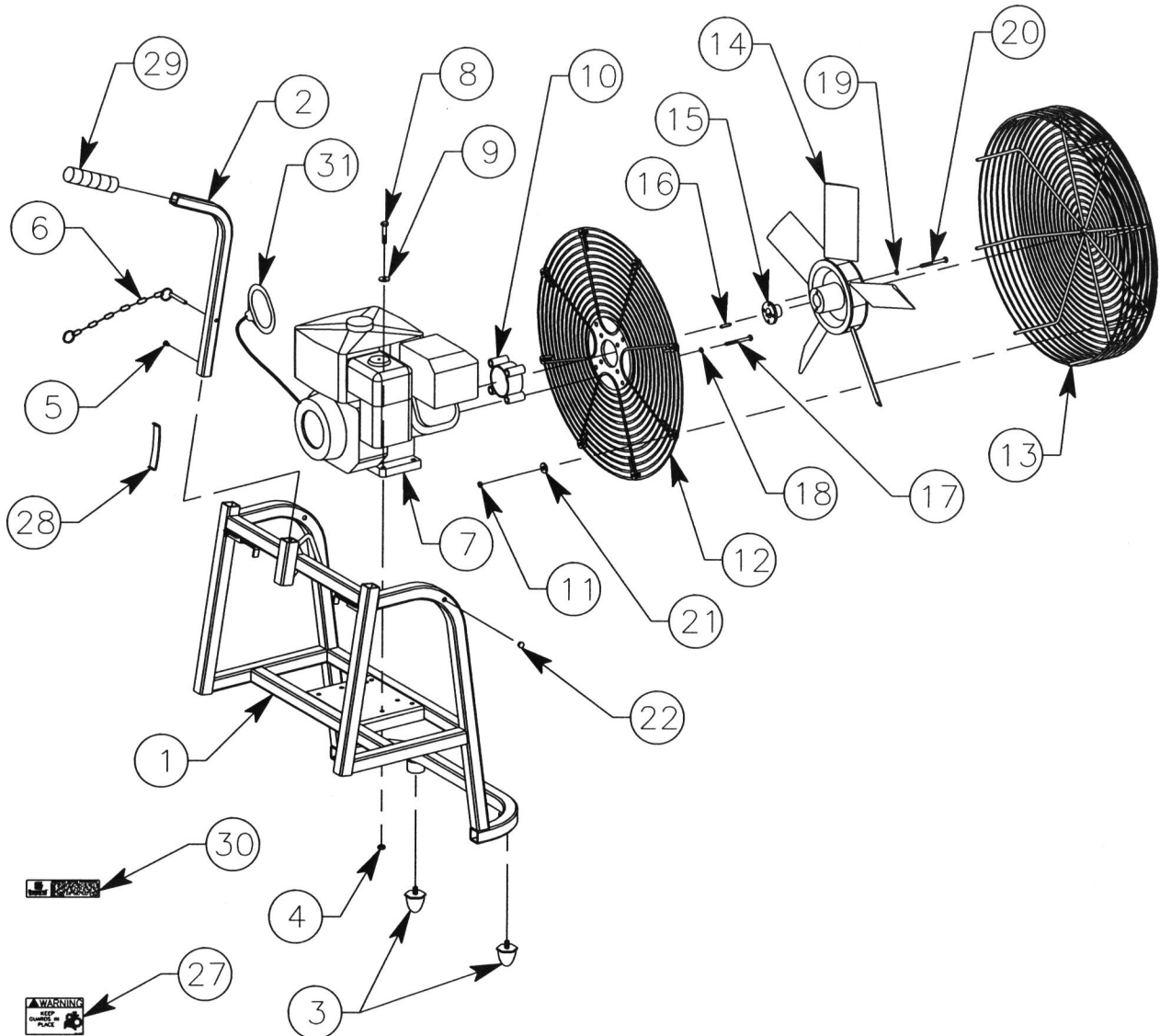
WARNING DO NOT CHANGE AIRFLOW DIRECTION, ADJUST HEIGHT OR MOVE THIS UNIT WITH THE POWER SOURCE PLUGGED INTO THE DISCONNECT SWITCH. IMPROPER MAINTENANCE AND/OR OPERATIONAL PROCEDURES CAN RESULT IN PROPERTY DAMAGE AND/OR PERSONAL INJURY.



Frame Assembly EP17 Blowers

Reference Number	PART NUMBER	DESCRIPTION	QTY
1	GP21-0100	Frame Weldment	1
2	GP21-0080	Handle	1
3	GP21-0040	Bumper, Rubber	2
4	53050000	Nut, Hex, Nylock®, 5/16-18 UNC, Plated	4
5	37040200	Screw, Pan Head, 1/4-20 UNC x 1/4", Plated	1
6	86060000	Nut, Hex, Flange, 3/8-16 UNC, Plated	4
7	EP17-0030	Motor, Electric (1-1/2 HP)	1
8	15050600	Screw, Cap, 5/16-18 UNC x 1-3/4", Plated	4
9	17040000	Washer, Flat, 1/4", Plated	4
10	EP17-0130	Spacer, Shroud	1
11	53040000	Nut, Hex, Nylock®, 1/4-20 UNC, Plated	8
12	GP21-0030	Shroud, Back	1
13	GP21-0020	Shroud, Front	1
14	49040000	Washer, Fender, 1/4", Plated	1
15	EP17-0090	Fan, 17" Diameter	1
16	SP8-0360	Hub, Center	1
17	63031200	Key, Square, 3/16" x 3/16" x 1-1/2"	1
18	15062400	Screw, Cap, 3/8-16 UNC x 3", Plated	4
19	16060000	Washer, Lock, 3/8", Plated	4
20	16040000	Washer, Lock, 1/4", Plated	2
21	15042400	Screw, Cap, 1/4-20 UNC x 3", Plated	2
22	GP21-0150	Grip, Handle	1
23	EP17-0150	Holder, Cord	2
24	GP21-0140	Pin and Lanyard	1
25	EP17-5010	Decal, General, EP21	1
26	GP21-5020	Decal, Warning	1
27	GP21-5030	Decal, Warning	1
28	GP21-5040	Decal, Warning	1
29	SP8-5050	Decal, Warning	1
30	SG24-5072	Decal, Assistance	1
31	EP17-0180	Cord, Electric	1
32	5266-C HUBBEL	Plug, Electrical, Male	1
33	CG-5050	Fitting, Bulkhead	1
34	GP21-0170	Spring, Handle	1
35	GP21-5050	Decal, Warning	1

Frame Assembly GP21 Blower



WARNING DEPLOY BOTH PARKING BRAKES AS REQUIRED BY PREVAILING JOBSITE AND ENVIRONMENTALLY RELATED CONDITIONS TO KEEP MACHINE FROM PRODUCING UNEXPECTED MOVEMENT IN ANY SPECIFIC DIRECTION.

WARNING KEEP BODY PARTS AND FOREIGN OBJECTS CLEAR OF THE ROTATING PROPELLER. DO NOT ALLOW FOREIGN MATERIAL ACCUMULATIONS ON THE SURFACES OF THE PROTECTIVE SCREENS. IMPROPER MAINTENANCE AND/OR OPERATIONAL PROCEDURES CAN RESULT IN PROPERTY DAMAGE AND/OR PERSONAL INJURY.

WARNING FOR HEIGHT ADJUSTMENT SLIDE THE LATCHES TO THE CENTER OF THE LIMIT RANGE OR LOWER THE FRAME TO ALLOW THE CATCH MECHANISM TO PROPERLY REPOSITION ITSELF INTO THE DESIRED SLOT. IMPROPER MAINTENANCE AND/OR OPERATIONAL PROCEDURES CAN RESULT IN PROPERTY DAMAGE AND/OR PERSONAL INJURY.

WARNING DO NOT CHANGE AIRFLOW DIRECTION, ADJUST HEIGHT OR MOVE THIS UNIT WITH THE POWER SOURCE IN OPERATION. DYNAMIC FORCES CREATED BY THE PROPELLER CAN REDUCE PROPER CONTROL, RESULTING IN PROPERTY DAMAGE AND/OR PERSONAL INJURY.

General® GP21
POSITIVE PRESSURE VENTILATOR

Frame Assembly GP21 Blower

Reference Number	PART NUMBER	DESCRIPTION	QTY
1	GP21-0100	Frame Weldment	1
2	GP21-0080	Handle	1
3	GP21-0040	Bumper, Rubber	2
4	53050000	Nut, Hex, Nylock®, 5/16-18 UNC, Plated	4
5	37040200	Screw, Pan Head, 1/4-20 UNC x 1/4", Plated	1
6	GP21-0140	Pin and Lanyard	1
7	GX160K1QXC9	Engine, Honda (5.5 HP)	1
8	15051400	Screw, Cap, 5/16-18 UNC x 1-3/4", Plated	4
9	17040000	Washer, Flat, 1/4", Plated	4
10	GP21-0130	Spacer, Shroud	1
11	53040000	Nut, Hex, Nylock®, 1/4-20 UNC, Plated	8
12	GP21-0030	Shroud, Back	1
13	GP21-0020	Shroud, Front	1
14	GP21-0090	Fan, Gas	1
15	GP21-0570	Hub, Center	1
16	63031200	Key, Square, 3/16" x 3/16" x 1-1/2"	1
17	GP21-0110	Screw, Cap, 5/16-24 UNF x 2-1/2", Plated	4
18	16050000	Washer, Lock, 5/16", Plated	4
19	16040000	Washer, Lock, 1/4", Plated	2
20	GP21-0060	Screw, Cap, 1/4-20 UNC x 3", Plated	2
21	49040000	Washer, Fender, 1/4", Plated	8
22	2633	Plug, Hole (7/16" Diameter)	4
23	GP21-5010	Decal, General GP21	1
24	GP21-5020	Decal, Warning	1
25	GP21-5030	Decal, Warning	1
26	GP21-5040	Decal, Warning	1
27	SP8-5050	Decal, Warning	1
28	GP21-0170	Spring, Handle	1
29	GP21-0150	Grip, Handle	1
30	SG24-5070	Decal, Assistance	1
31	GP21-0160	Rope, Pull (Mitten Style)	1
32	GP21-5050	Decal, Warning	1