










Assembly Instruction

N2150-10/20/04-T, N2150-10/20/04-B

SOLID EXTENSION BUTTERFLY TOP PEDESTAL TABLE

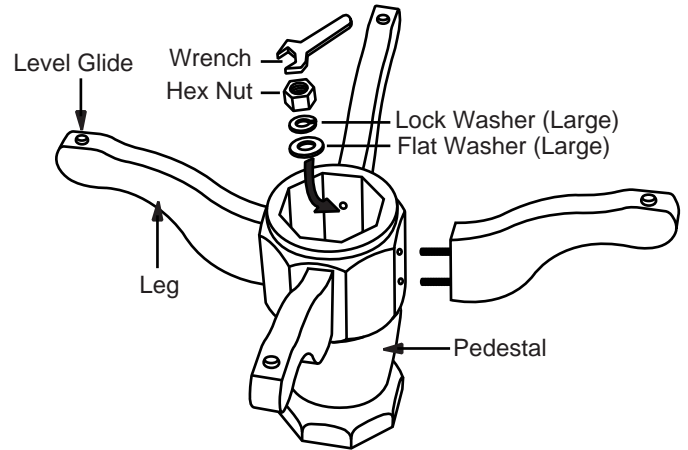
HARDWARE LIST :

								
Hex Nut 12 pcs	(Large) Lock Washer 12 pcs	(Large) Flat Washer 12 pcs	Wrench 1 pc	JCBC Bolt 8 pcs	(Small) Lock Washer 8 pcs	(Small) Flat Washer 8 pcs	Allen Key 1 pc	Thread Head Bolt 4 pcs

ASSEMBLY :

STEP 1

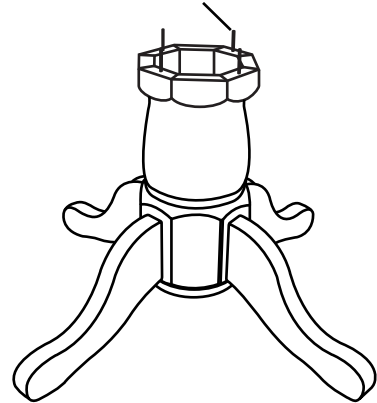
Turn the pedestal upside down. Attach legs by inserting hanger bolts through pre-drilled holes on pedestal, insert **Flat Washer**, **Lock Washer** and **Nut** onto the **Hanger Bolt** then tighten with the **Wrench** provided.



STEP 2

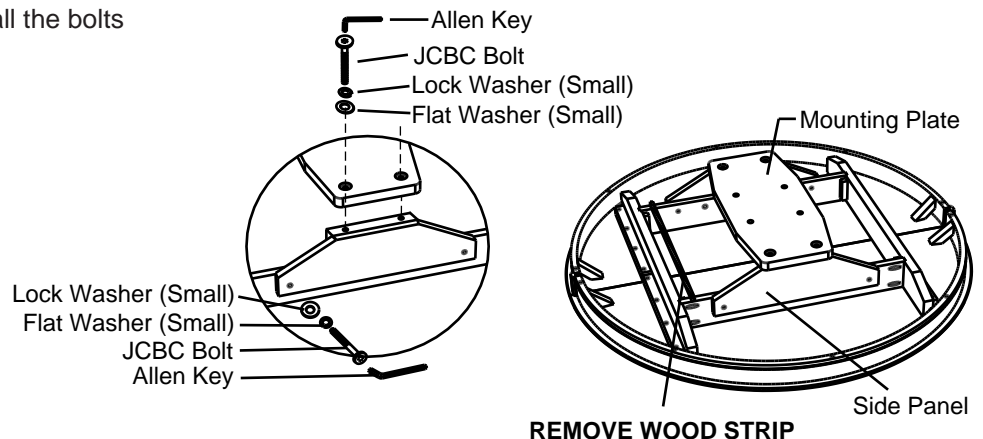
Turn the base right side up. Insert and tighten the **Thread Head Bolt** as shown in the below Figure 2.

(Fig 2)
Thread Head Bolt



STEP 3

Position the table top upside down on a smooth, protective surface such as carpet. **Remove and discard the temporary wood strip**. Install the side panel and secure with **Flat Washer**, **Lock Washer** and **Bolt**. Attach mounting plate as shown. Secure with **Flat Washer**, **Lock Washer** and **bolt**, then tighten all the bolts with **Allen Key** provided.



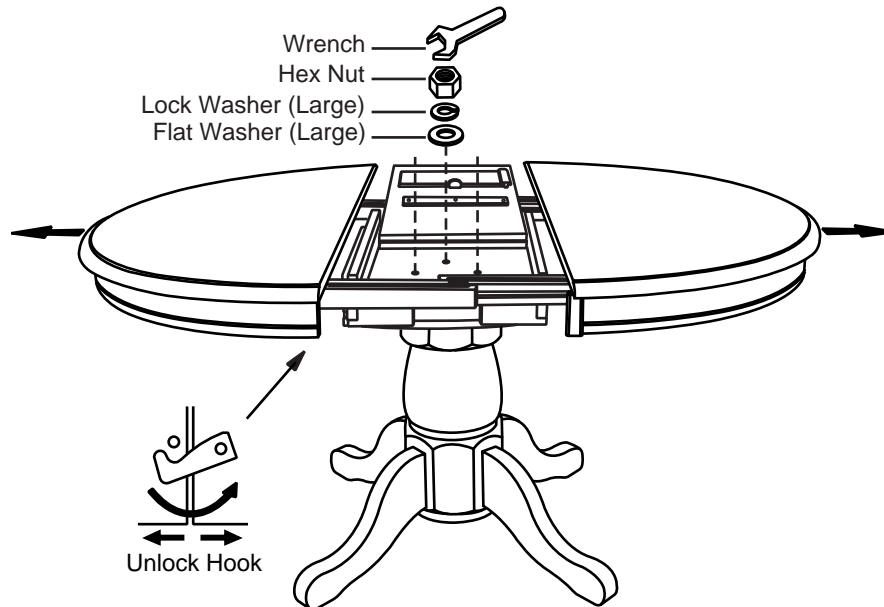
Assembly Instruction

N2150-10/20/04-T, N2150-10/20/04-B

SOLID EXTENSION BUTTERFLY TOP PEDESTAL TABLE

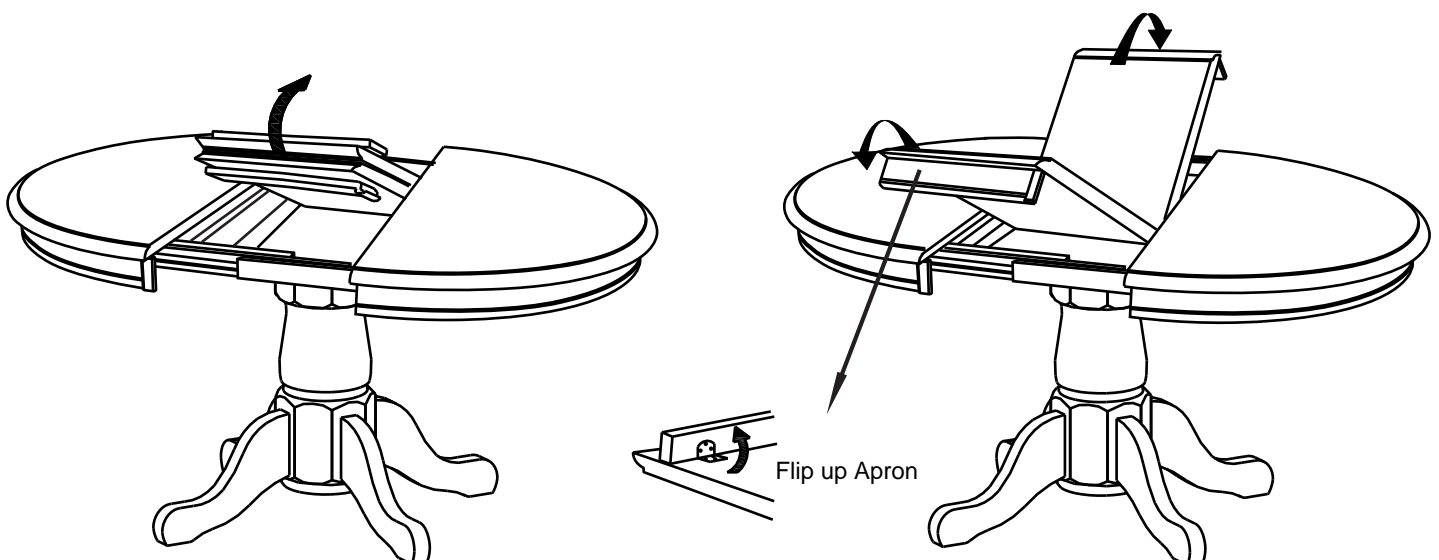
STEP 4

Unlock the hooks underneath the table and pull the table top wide open equally from bolt ends. Align and attach the table top to the pedestal. Insert a Flat Washer, Lock Washer and Nut onto the Thread Head Bolt. Tighten all Nuts with the Wrench provided.



STEP 5

Lift both leaves from the compartment and flip up the apron then unfold Table Leaf and place the leaf on the top surface carefully.



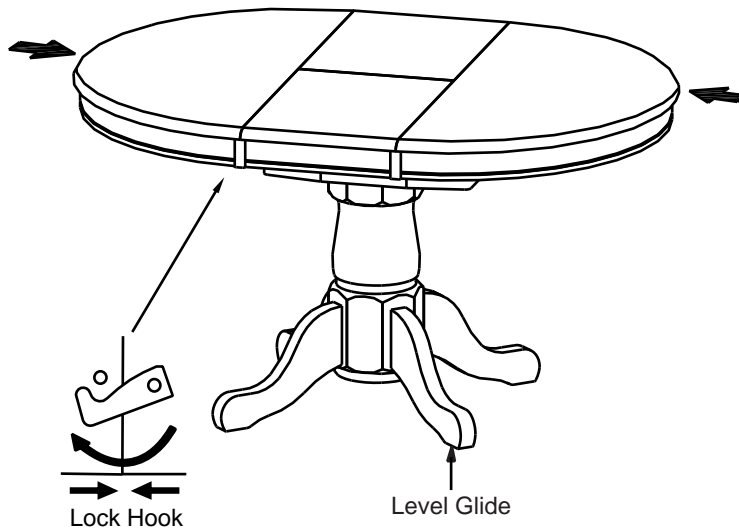
Assembly Instruction

N2150-10/20/04-T, N2150-10/20/04-B

SOLID EXTENSION BUTTERFLY TOP PEDESTAL TABLE

STEP 6

Push Table Top from both ends to close gap and lock the hooks underneath table. Adjust the level glides until the table sits firmly.



TO STORE THE CENTRE LEAF WHEN NOT IN USE

Unlock the hooks underneath the table and pull the table top wide open equally from both ends. Flip down the apron and fold the centre leaf to store within the compartment. Push table top from both ends to close. Lock the hooks underneath the table.

