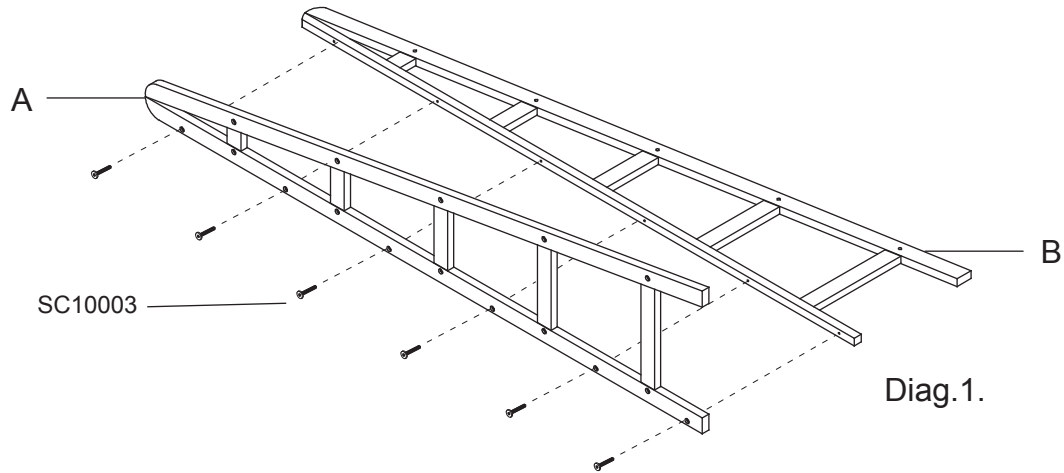
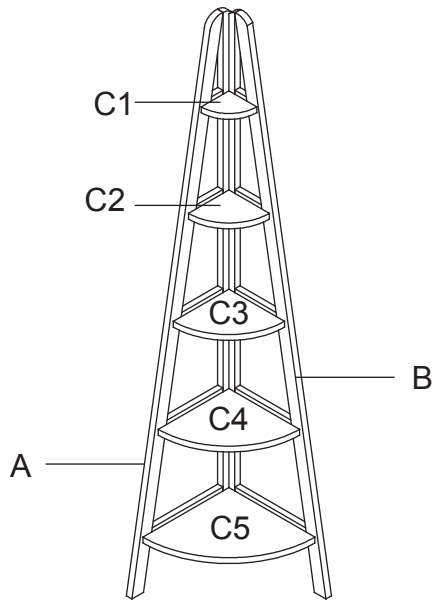


Assembly Instruction Sheet for Item No. 176-3X Corner Ladder Bookcase



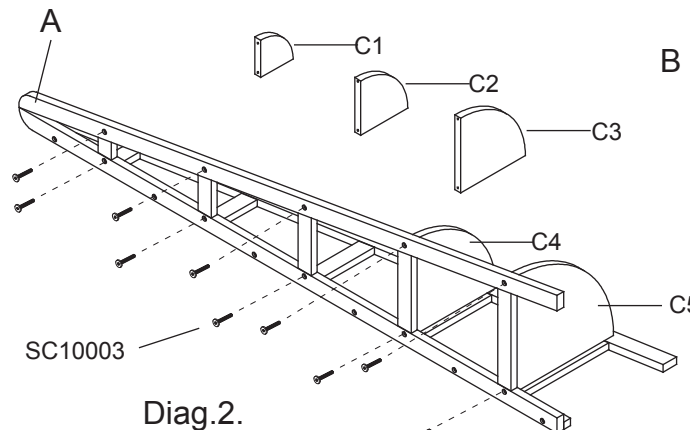
Step 1. Lay the right panel (Part B) on a soft surface. Then attach left panel (Part A) by using 6 screws JCA 1/4" x 32 (SC10003) as per Diag.1.
BE CAREFUL, DO NOT OVER TIGHTEN THE SCREWS.

LIST OF WOODEN PARTS

NO	DESCRIPTION	Q'TY
A	LEFT PANEL	1
B	RIGHT PANEL	1
C	SHELVES	5

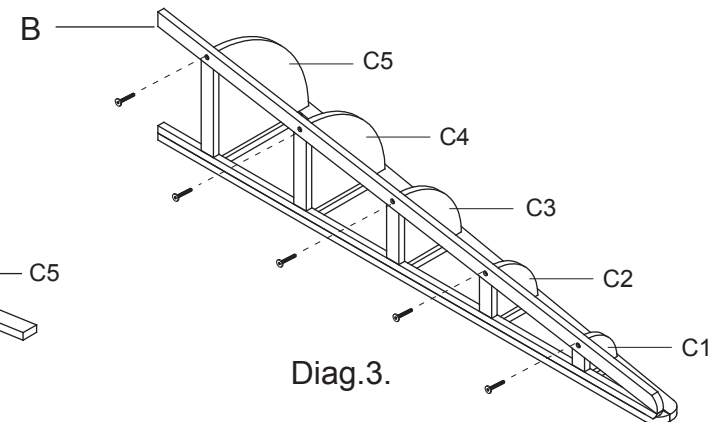
LIST OF HARDWARE

SC10003	SCREWS JCA 1/4"x32	21
TL40015	HEXAGONAL WRENCH	1



Diag.2.

Step 2. Lay the left panel (Part A) on a soft surface. Then attach shelves (Part C1-C5) by using 10 screws JCA 1/4" x 32 (SC10003) as per Diag.2.
BE CAREFUL, DO NOT OVER TIGHTEN THE SCREWS.



Diag.3.

Step 3. Attach right panel (Part B) into unit by using 5 screws JCA 1/4" x 32 (SC10003) as per Diag.3.

Missing or parts replacement please
 visit www.yushan.com/replacement
 or call 1-888-8YU-SHAN
 Do not return this product to the store.
 Normally there is no charge for parts