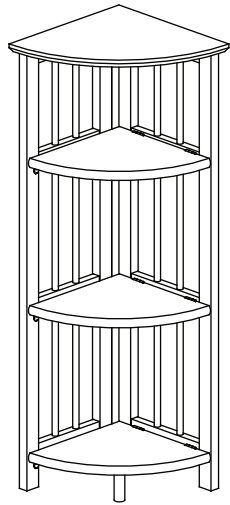


Assembly Instruction Sheet

Item No. 315-1X

Folding 4-Tier Corner Shelf



LIST OF PARTS

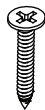


A
Snap on Mantel Top
1 PC

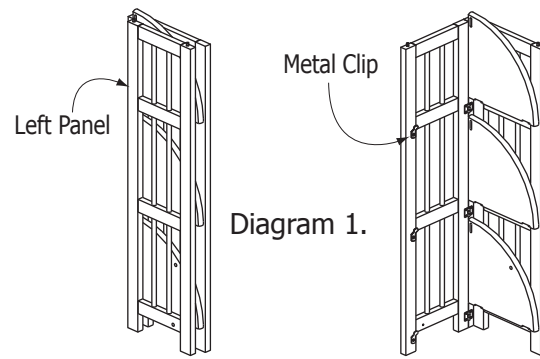
LIST OF HARDWARE



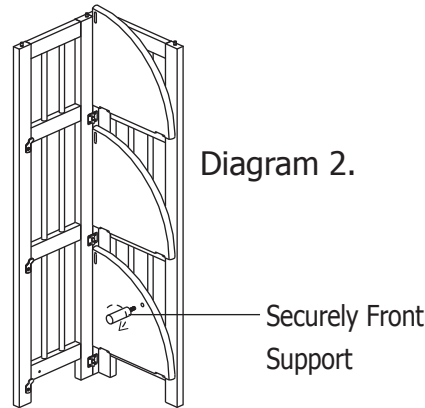
Front Support
MS0952V
1 PC



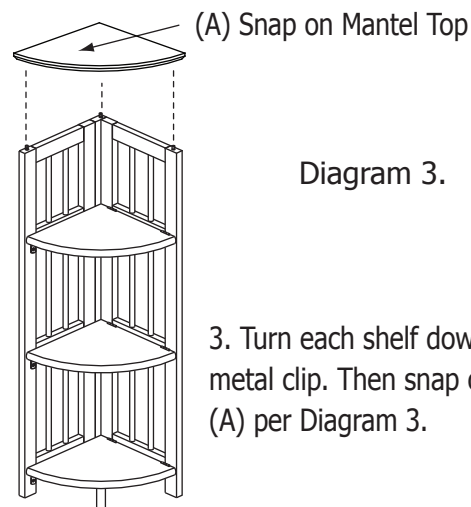
Screw F6 x 1 1/4"
SC10002
1 PC



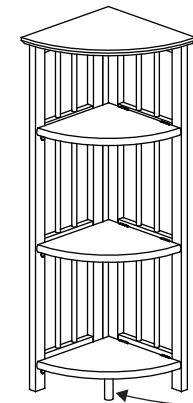
1. Open the left panel and right side panel of corner shelf as shown in Diagram 1.



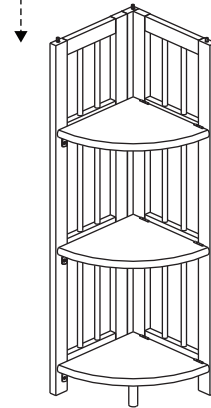
2. Put the front support (MS0952V) into the hole under the Bottom shelf as per Diagram 2.



3. Turn each shelf down to rest on the metal clip. Then snap on mantel top (A) per Diagram 3.



With two units stacked together remove the front support.



STACKABLE OPTION

1: Gently lift the second corner shelf and place it on top of the first as per the picture show. the ball like tip should securely fit into ease hole at the bottom of the corner shelf.

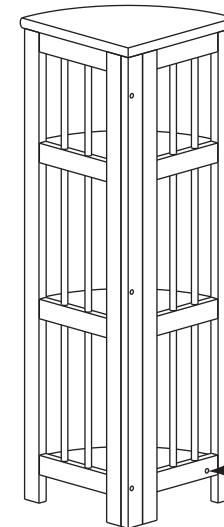


Diagram 4.

4. Turn shelf unit to the back. Place the screw F6 x 1 1/4" into the hole on the left side panel to secure the bottom shelf as per Diagram 4.

Use screw through predrilled hole