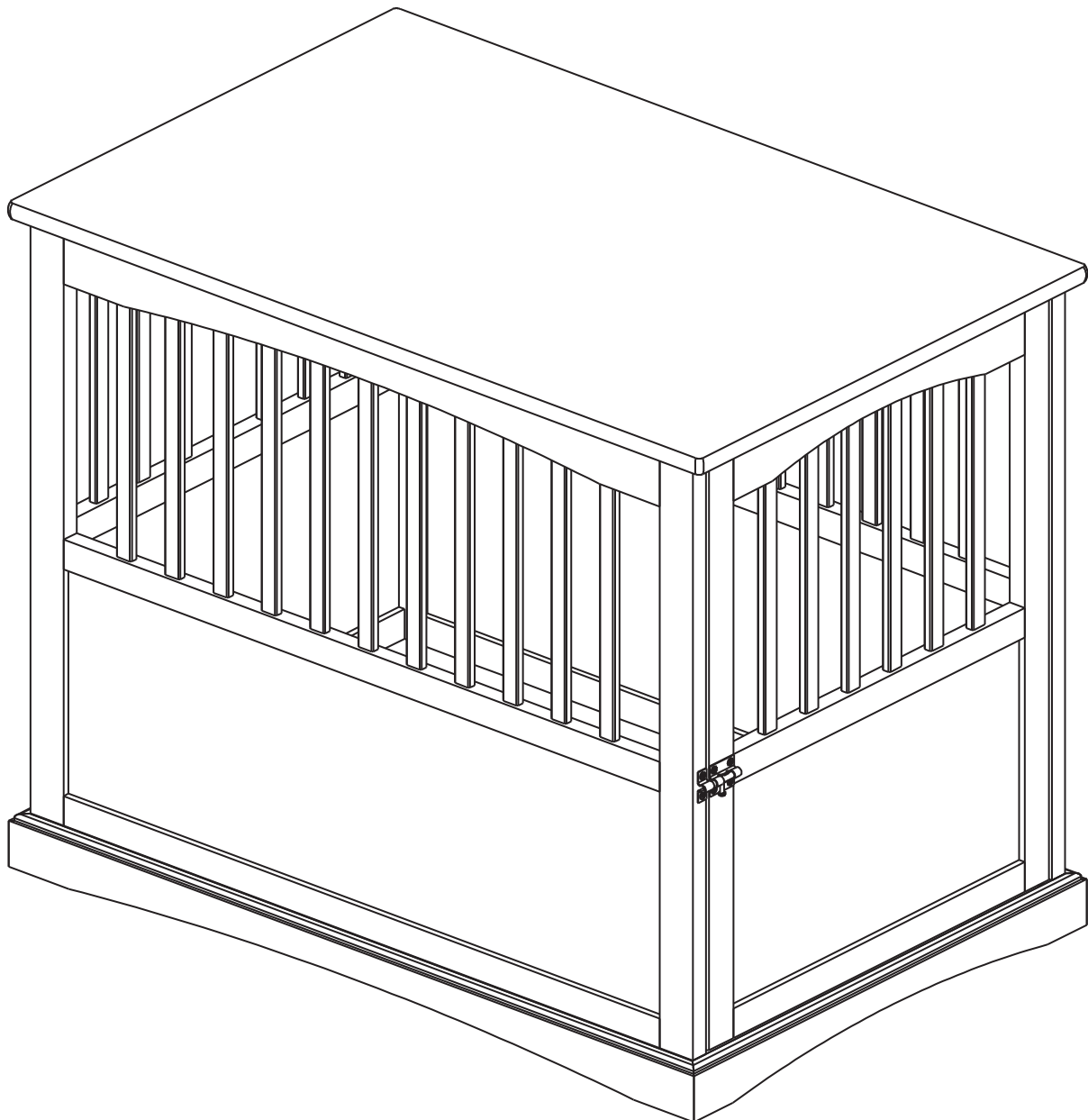


# Assembly Instructions

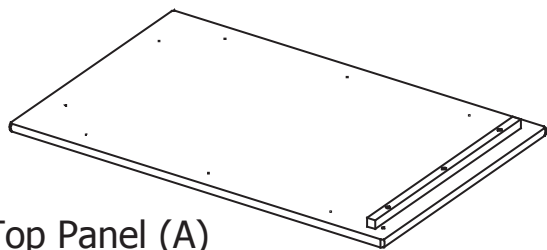
Item Number : 600-2X

Product Name : Pet Crate End Table (Large)

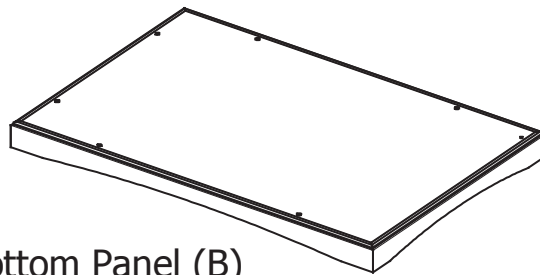


**Pet Crate End Table (Large)**

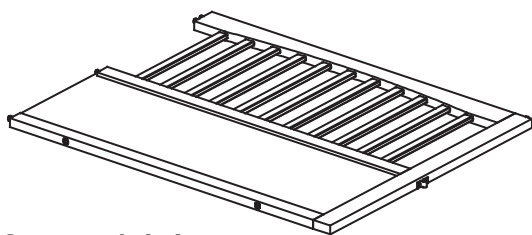
## Parts



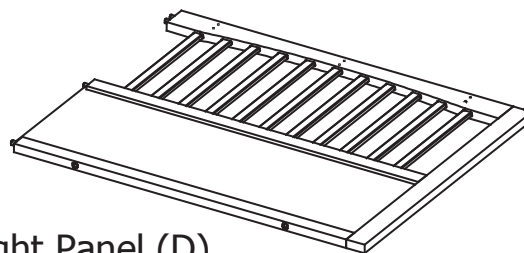
Top Panel (A)  
1 Pc.



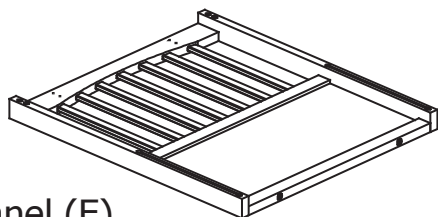
Bottom Panel (B)  
1 Pc.



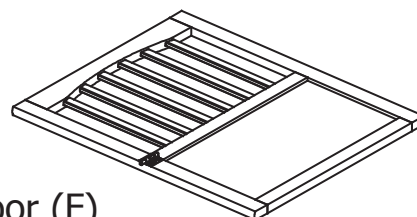
Left Panel (C)  
1 Pc.



Right Panel (D)  
1 Pc.



Back Panel (E)  
1 Pc.



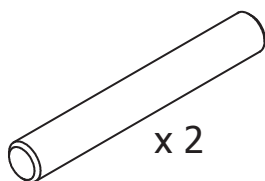
Door (F)  
1 Pc.

## Hardware



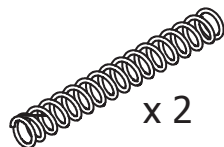
F6 x 5/8"  
RF10004

x 24



Metal Pin  
RF40009

x 2



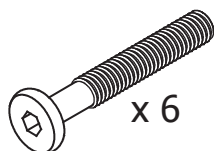
Spring  
RF40002

x 2



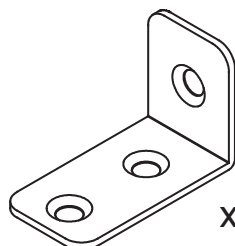
Washer  
RF44054

x 2



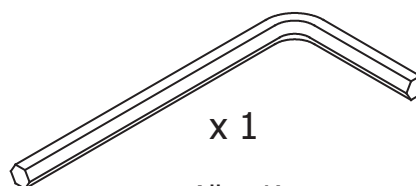
JCB M6 x 40  
RF10041

x 6



L-Bracket  
RF50003

x 8



Allen Key  
RF40103

x 1

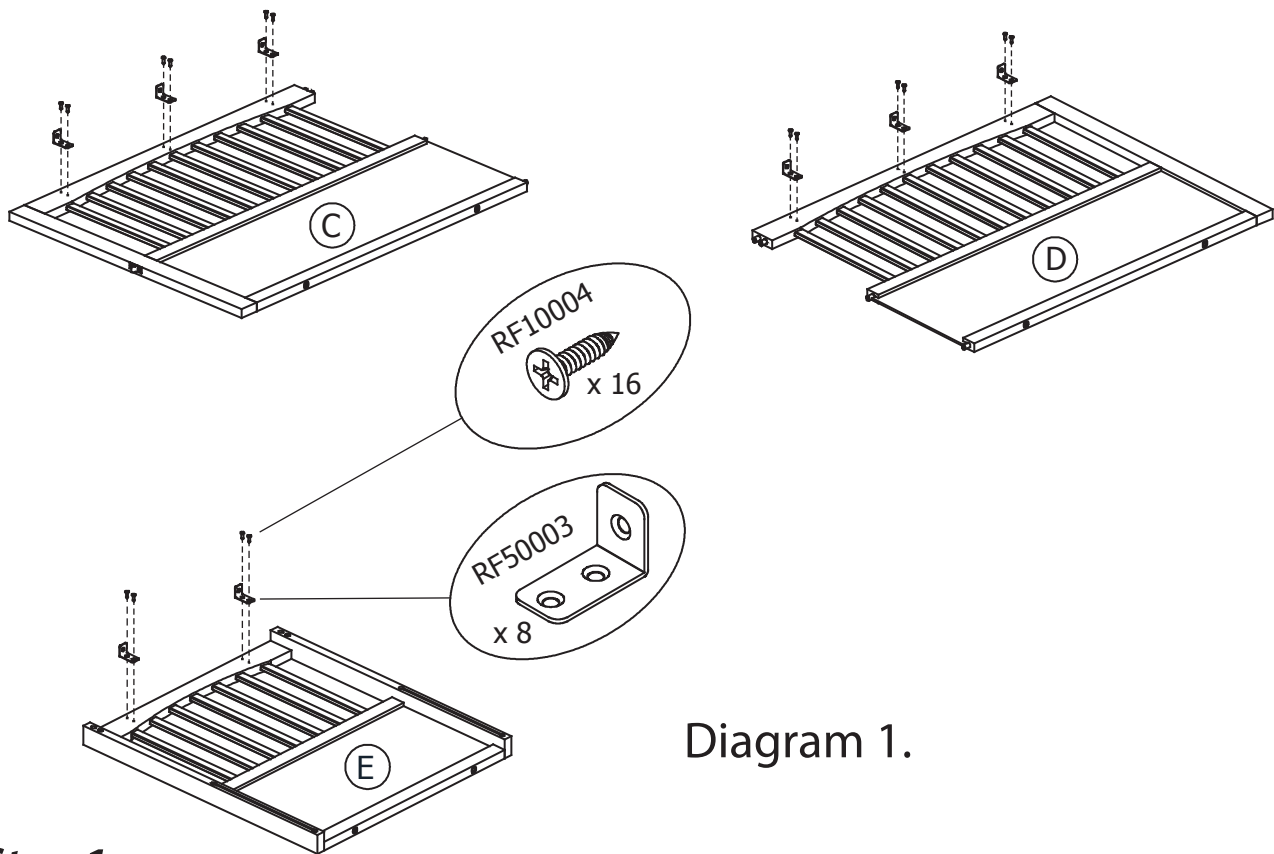
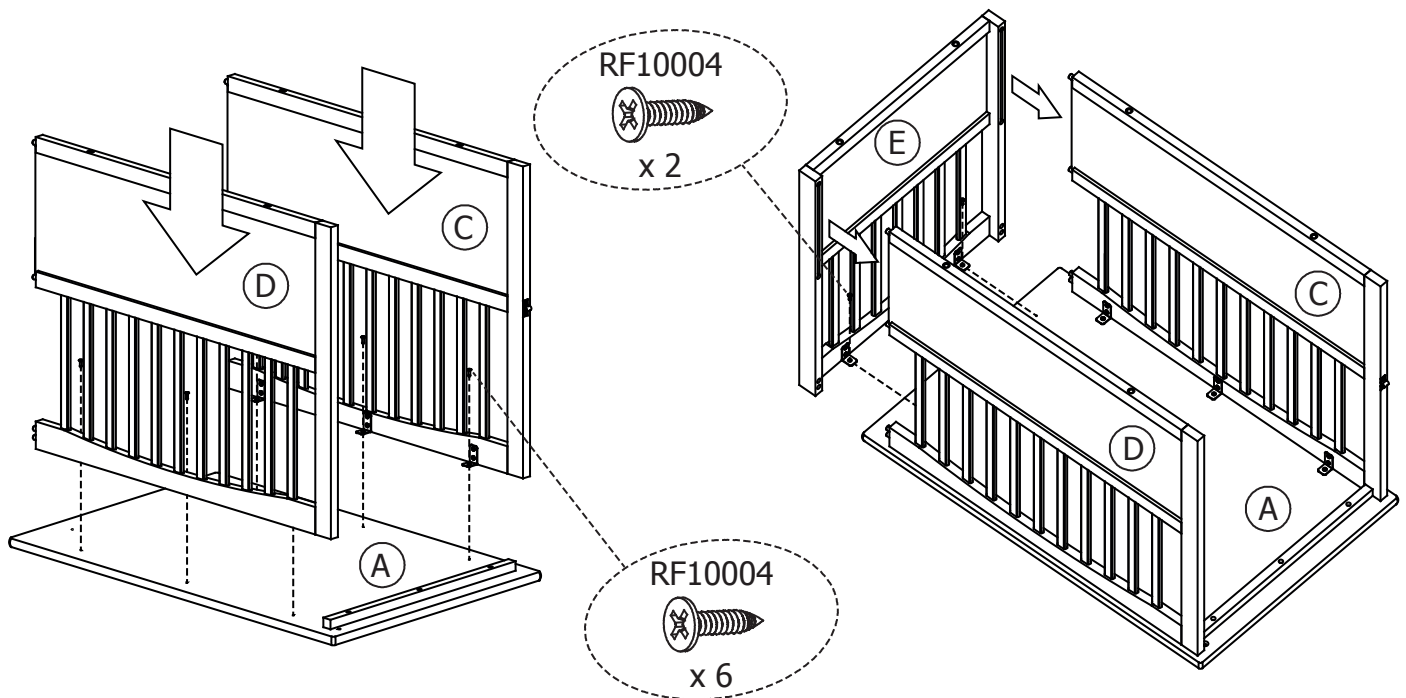


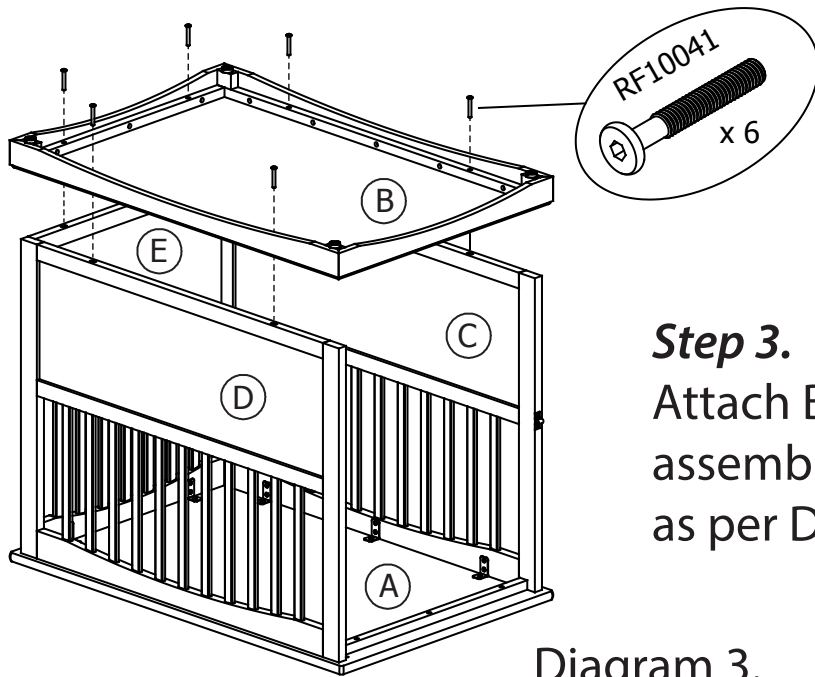
Diagram 1.

**Step 1.**

Attach L-Bracket (RF50003) into the pre-drilled holes on the Left Panel (C), Right Panel (D) and Back Panel (E) using 16 screws (RF10004) as per Diag. 1.

**Step 2.**

Attach Left and Right Panel (C&D) into the pre drilled holes on the Top Panel (A) using 6 screws (RF10004). Then attach Back Panel (E) using 2 screws (RF10004) as per Diag.2.

**Step 3.**

Attach Bottom panel(B) into the assembled using 6 screws (RF10041) as per Diag. 3.

Diagram 3.

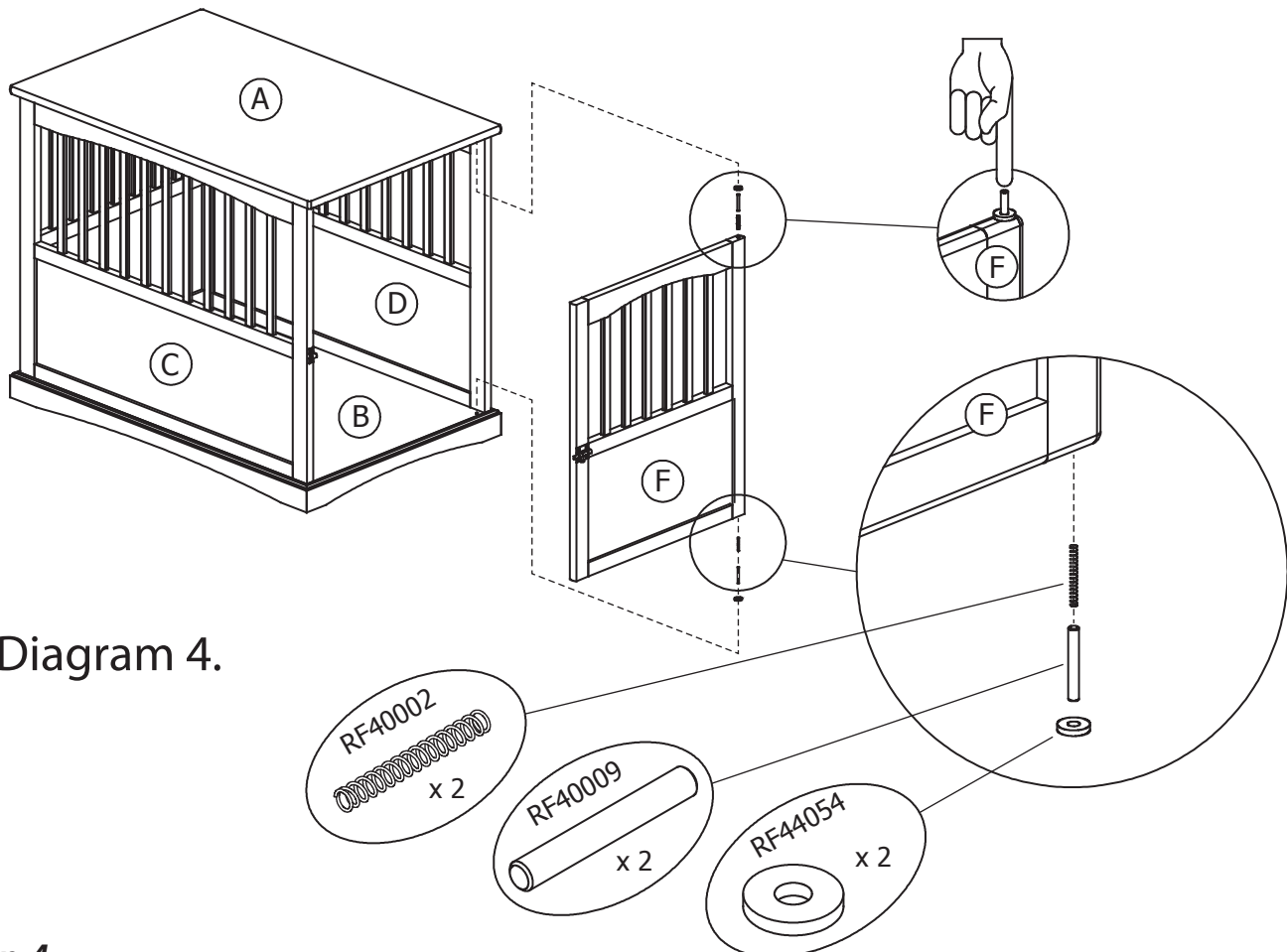


Diagram 4.

**Step 4.**

Assemble spring(RF40002) + door pin(RF40009) + washer(RF44054) per diagram. Warning, hold the pin with finger so it doesn't flew away from the force of the spring. Gently insert all three part into predrilled holes at the door(see diagram). Slide the top pin into the hole at Top Panel (A). Trap the bottom pin on Bottom Panel (B) and gently slide the pin until it engaged the hole on panel (B).