

G56

Electric Garage Heater

Owner's Manual

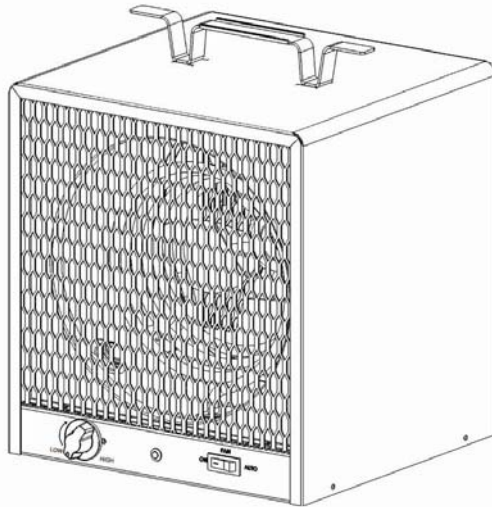


TABLE OF CONTENTS

| | |
|--|---|
| Important Instructions | 3 |
| Parts of the Heater | 5 |
| Grounding and Operating Instructions | 5 |
| Specifications | 6 |
| Cleaning and Maintenance..... | 6 |
| Storage..... | 6 |
| Troubleshooting | 7 |
| Warranty..... | 8 |

IMPORTANT SAFETY INSTRUCTIONS

PLEASE READ ALL INSTRUCTIONS BEFORE USING THIS HEATER

NOTE: There may be a trace of smoke or odor when unit is first operated. Don't be alarmed. This indicates that a drop of oil fell on the heating coil during the manufacturing process. It will quickly evaporate and should not re-occur.

Make sure that the room in which the appliance is located is well ventilated during this operation. It is normal for the appliance to emit small cracking sounds when you turn it on for the first time. Do not be alarmed.

WHEN USING ELECTRICAL APPLIANCES, BASIC PRECAUTIONS SHOULD ALWAYS BE FOLLOWED TO REDUCE RISK OF FIRE, ELECTRICAL SHOCK AND INJURY TO PERSONS OR PROPERTY, INCLUDING THE FOLLOWING:

1. Read all instructions before using this heater.
2. This heater is hot when in use. To avoid burns, do not let bare skin touch hot surfaces. Keep combustible materials, such as furniture, pillows, bedding, papers, clothes and curtains at least 3 ft. (0.9 meters) from the front and top of the heater and keep them away from the sides and rear. Ensure a minimum clearance of 5.5 inches (14 cm) from both sides and rear of heater to adjacent walls. Keep the rear grille away from walls or drapes so as not to block the air intake.
3. Extreme and reasonable supervision is necessary when any heater is used by or near children, invalids or pets and whenever the heater is left operating and unattended.
4. Always unplug heater when not in use. To disconnect, grip plug and pull from wall outlet. Never yank on cord.
5. To disconnect the heater, turn controls to "OFF.", then remove the plug from outlet.
6. Do not operate any heater with a damaged cord or plug or after the heater malfunctions or has been dropped or damaged in any manner. Return heater to an authorized service facility for examination, electrical or mechanical adjustment or repair.
7. Do not use outdoors.
8. This heater is not intended for use in bathrooms, laundry areas and similar indoor locations. Never locate heater where it may fall into a bathtub or other water container.
9. Do not run cord under carpeting. Do not cover cord with throw rugs, runners or the like. Do not route cord under furniture or appliances. Arrange cord away from traffic areas where it will not be tripped over. Route the cord so that it will not be walked on or pinched by furniture.
10. Connect to properly grounded outlets only. Check heater voltage and amperage on the back of the heater to make sure it agrees with the electric service supplied.
11. Do not insert or allow foreign objects to enter any ventilation or exhaust opening as this may cause an electric shock, fire or damage to the heater.

12. To prevent a possible fire, do not block air intake or exhaust in any manner. Do not use on soft surfaces, like a bed, where openings may become blocked.
13. Use this heater only as described in this manual. Any other use not recommended by the manufacturer may cause fire, electric shock, injury to persons or other damage to property.
14. This heater draws 20 Amps during operation. Be sure to use a dedicated 240VAC, 30A circuit for the heater.
15. It is normal for the heater's plug and cord to feel warm to the touch. A plug or cord which becomes hot to the touch or becomes distorted in shape may be a result of a worn electrical outlet. Worn outlets or receptacles should be replaced prior to further use of the heater. Plugging heater into a worn outlet/receptacle may result in overheating of the power cord or fire.
16. Ensure the heater is on a stable, secure floor surface to eliminate the potential of tipping it over.
17. Be sure that the plug is fully inserted into the appropriate receptacle. Please remember that receptacles also deteriorate due to aging and continuous use: check periodically for signs of overheating or deformations evidenced by the plug. Should this occur, do not use the receptacle if deteriorated. CALL your electrician.
18. Check that neither the appliance nor the power cable has been damaged in any way during transportation.
19. Make sure that no pieces of polystyrene or other packaging material have been left between one element of the appliance and another. It may be necessary to pass over the appliance with a vacuum cleaner.
20. When switching on the appliance for the first time, you may notice a slight odor which is normal with new electrical appliances. Allow odor to dissipate by running appliance at full power for about ten minutes. Make sure that the room in which the appliance is located is well ventilated during this operation. This heater draws 20 Amps during operation. To prevent overloading a circuit, do not plug the heater into a circuit that already has other appliances working.
21. Do not run in locations when the heater will be left unattended for long periods of time.
22. Do not use attachments or filters. They are not recommended.
23. Always plug heater directly into a wall outlet/receptacle. Never use with an extension cord or portable power tap (outlet/power strip). A heater has hot and arcing or sparking parts inside. Do not use it in areas where gasoline, paint or flammable liquids are used or stored.

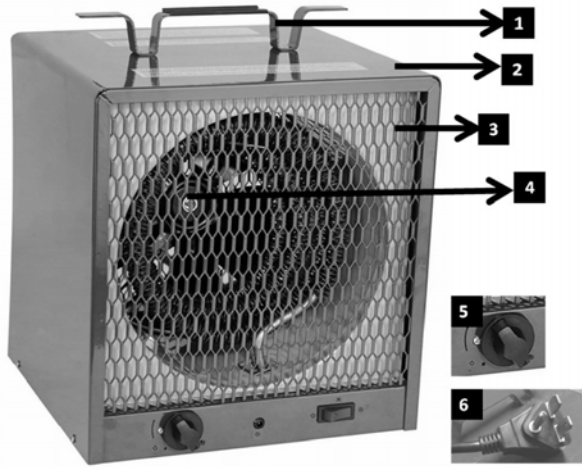
SAVE THESE INSTRUCTIONS

WARNING – RISK OF FIRE, DO NOT USE AS A RESIDENTIAL OR HOUSEHOLD HEATER

CAUTION: This appliance is not intended for use by persons (including children) with reduced physical, sensory or mental capabilities, or lack of experience and knowledge, unless they have been given supervision or instruction concerning use of the appliance by a person responsible for their safety.

PARTS OF THE HEATER

1. Carrying handle
2. Housing
3. Safety grille
4. Heating element
5. Thermostat control
6. Plug (NEMA #6-30P)



GROUNDING AND OPERATING

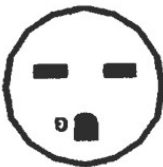
!! IMPORTANT

THIS HEATER MUST BE INSTALLED ON THE FLOOR ONLY.

Prior to operating the heater, ensure the electrical receptacle is of the configuration and capacity appropriate for the heater. See receptacle configuration in **OPERATING INSTRUCTIONS**. This heater uses 240 volts. The cord has a plug as shown in #6. No adapter is available for this blade configuration, and none should be used. The type of receptacle is a 240 volt grounding receptacle (**NEMA 6-30R**). When properly installed, it provides a ground connection through the cord to the heater to protect the operator from electric shock.

Receptacle: NEMA #6-30R 250V 30 Amps

**Plug: NEMA #6-30P
250V 30 Amps**



YOUR HEATER IS EQUIPPED WITH A THERMOSTAT:

1. Turn the unit on by turning the thermostat dial away from the OFF position.
2. For faster heat up or to increase the heat output, turn the Thermostat Control knob all the way to the right **[MAX]**. The thermostat function controls the temperature output. To decrease the heat output, turn the knob counter clockwise.
3. Once the room reaches the desired temperature, slowly turn the Thermostat Control knob counter clockwise until you hear a “click.” This sets the heater to cycle ON/OFF to maintain the desired heating temperature for energy efficiency.
4. To completely shut unit OFF, turn the thermostat dial to the OFF position and unplug the heater.

SPECIFICATIONS

| | |
|---------------------|--------------------|
| Model Number | G56 |
| Power Supply | 240 volts AC, 60Hz |
| Power Consumption | 5600W |

CLEANING AND MAINTENANCE

Before any cleaning, make sure that:

1. The heater is turned OFF.
2. Disconnect power supply at source by removing plug from power outlet.

Regular Cleaning:

1. Do not use cleaning liquid or other chemicals to spray on the unit.
2. Interior dust can often be removed by using a vacuum cleaner with a crevice tool attachment.
3. To clean enclosure, use a clean, soft and lightly damp cloth to gently wipe off the dirt from the surface of the unit. Be sure not to wet the heating element and the switches. Allow the unit to dry completely before using it.

CAUTION: DO NOT ALLOW WATER TO RUN INTO THE INTERIOR OF THE HEATER AS THIS COULD CREATE A FIRE OR ELECTRIC SHOCK HAZARD, DAMAGING THE UNIT.

STORAGE

1. Perform the cleaning procedures described in “Cleaning/Maintenance.”
2. Wipe all parts to dry.
3. Pack the heater in a plastic bag and store it in a cool, dry place.

TROUBLESHOOTING

If your heater fails to operate, please follow these procedures:

| Problem | Probable Cause | Solution |
|--|--|--|
| Unit is not heating. | Overheat protection has temporarily deactivated the heater. | Turn the heater OFF; unplug it and ALLOW IT TO COOL. Inspect and remove any objects on or adjacent to the heater. Wait 30 minutes before plugging unit back in. |
| | Room temperature has been warmed up to thermostat setting. | To increase the room temperature, adjust thermostat control knob to a higher setting by turning clockwise. |
| | Heater is not plugged into a 240V grounded outlet/receptacle. | Ensure unit is in the OFF position. Plug in unit and attempt to turn on again. |
| | Breaker/Fuse has been tripped. | <ul style="list-style-type: none"> ▪ Check your electrical box to confirm the breaker has not been blown. This may occur if the receptacle is shared between other high consumption appliances. ▪ Ensure unit is in the OFF position. Plug in unit and attempt to turn on again. |
| The heater is producing a burning smell. | A drop of oil fell on the heating coil during the manufacturing process. It will quickly evaporate and should not occur again. | Ensure room in which heater is situated is well ventilated. |
| | Check & ensure there are no combustible materials within 0.9 meters (3 ft.) surrounding the heater. | Remove any combustible items from the heater. |
| | Ensure a minimum clearance of 5.5 inches (14 cm) from both sides and rear of heater to adjacent walls. | Reposition the heater so there is enough space around the heater to the adjacent walls. |

PLEASE DO NOT ATTEMPT TO OPEN OR REPAIR THE HEATER YOURSELF. DOING SO COULD CAUSE DAMAGE OR PERSONAL INJURY.

LIMITED MANUFACTURER'S WARRANTY

This appliance is covered by a limited manufacturer's warranty. For one year from the original date of purchase, the manufacturer will repair or replace any parts of this appliance that prove to be defective in materials and workmanship, provided the appliance has been used under normal operating conditions as intended by the manufacturer.

Warranty Terms:

During the first year, any components of this appliance found to be defective due to materials or workmanship will be repaired or replaced, at the manufacturer's discretion, at no charge to the original purchaser. The purchaser will be responsible for any removal or transportation costs.

Warranty Exclusions:

The warranty will not apply if damage is caused by any of the following:

- Power failure
- Damage in transit or when moving the appliance
- Improper power supply such as low voltage, defective household wiring or inadequate fuses
- Accident, alteration, misuse or abuse of the appliance such as using non-approved accessories, inadequate air circulation in the room or abnormal operating conditions (extreme temperatures)
- Use in commercial or industrial applications
- Fire, water damage, theft, war, riot, hostility or acts of God such as hurricanes, floods, etc.
- Use of force or damage caused by external influences
- Partially or completely dismantled appliances

Obtaining Service:

When making a warranty claim, please have the original bill of purchase with purchase date available. Once confirmed that your appliance is eligible for the warranty service, all repairs will be performed by a NewAir™ authorized repair facility. The purchaser will be responsible for any removal or transportation costs. Replacement parts and/or units will be new, re-manufactured or refurbished and is subject to the manufacturer's discretion.

For technical support and warranty service, please call 1-855-9Newair or email support@newair.com.