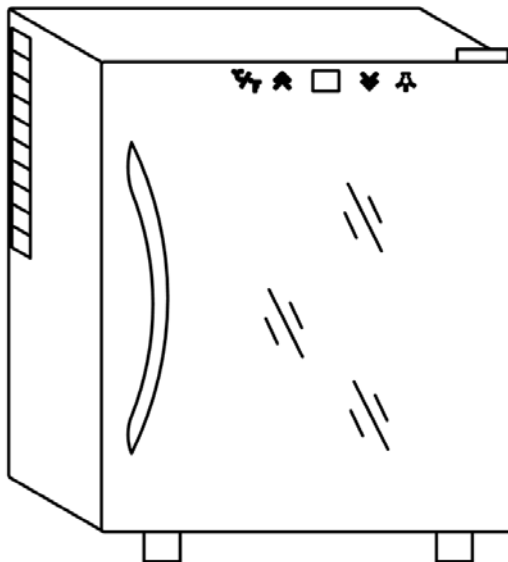




**Owner's Manual**

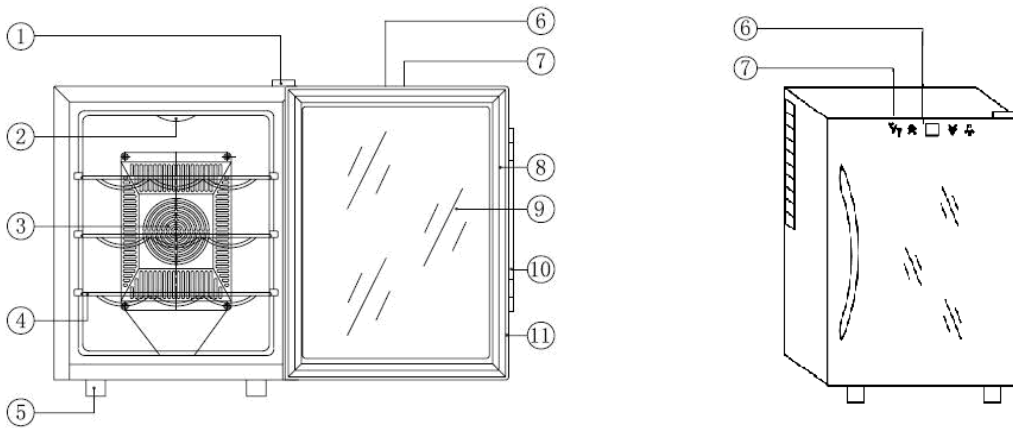
**12 Bottle Thermoelectric Wine Cooler**

**Model: AW-120E**



**Please read and save these instructions.**

## PARTS LIST



1. Hinge Cover
2. Interior Light
3. Fan
4. Shelves
5. Leveling Feet
6. Temperature Buttons
7. Temperature Display
8. Magnetic Seal
9. Glass Door
10. Door Handle
11. Door Frame

## IMPORTANT SAFETY INSTRUCTIONS

### ⚡ WARNING ⚡

To reduce the risk of fire, electrical shock, or injury when using this appliance, follow these basic precautions:

- Carefully read all instructions before using this wine cooler for the first time.
- **DANGER – RISK OF CHILD ENTRAPMENT:** An empty wine cooler can be dangerous to children. Remove any latches, lids, locks, and/or doors from unused or discarded appliances to prevent child entrapment and suffocation.
- Never allow children to operate, play with or crawl inside this appliance.
- Do not clean the appliance with flammable fluids or corrosive chemicals. The fumes can cause a fire or an explosion.
- Do not store or use gasoline or any other flammable vapors and liquids in the vicinity of this or any other appliances. The fumes can cause a fire or an explosion.
- Do not store perishable food in this wine cooler. The unit's interior temperature may not be low enough to prevent spoilage.

**Please save these instructions.**

## **INSTALLATION INSTRUCTIONS**

### ***Before Using Your Wine Cooler:***

- Remove exterior and interior packing materials.
- Make sure the following parts are included with the appliance:
  - 3 slide-out shelves
  - Instruction manual
- Before connecting the wine cooler to a power supply, let it stand upright for approximately 2 hours. This will reduce the possibility of malfunction that may have occurred from handling or transport.
- Before using this wine cooler for the first time, clean the interior with a soft cloth and lukewarm water.
- Place the appliance on a level floor surface that will be strong enough to support it when it is at full capacity. To level the wine cooler, adjust the front leveling feet located at the bottom of the appliance.
- Keep this wine cooler away from direct sunlight and excess heat sources such as stoves, heaters, radiators, etc. Direct sunlight may damage the unit's acrylic coating while heat may increase electricity consumption. Extreme hot or cold ambient temperatures may also affect performance.
- **PLEASE NOTE:** This wine cooler is only designed for home use. Do not use it in a garage or basement.

## **ELECTRICAL PRECAUTIONS**

**Warning:**




Improper use of the grounded plug can result in electrical shock. If the power cord appears to be damaged, have it replaced by an authorized service center.

- This unit should be properly grounded for your safety. The power cord is equipped with a 3-prong plug which is compatible with 3-prong wall outlets. This is to minimize the possibility of electrical shock. Do not, under any circumstances, cut or remove the ground wire from the supplied power cord.
- Do not use an extension cord with this appliance.
- This unit requires a standard 110V ~ 60Hz electrical outlet with a 3-prong plug.
- To prevent accidents and/or injury, the power cord should be secured behind the wine cooler and not left exposed or dangling.

## **OPERATING YOUR WINE COOLER**

- For optimal performance, it is recommended that you keep the wine cooler in a place where the ambient temperature is between 50 - 80°F (10 - 26°C). If the ambient temperature is above or below the recommended temperature range, the unit's performance may be affected. Using the wine cooler in extremely cold or hot conditions may cause interior temperatures to fluctuate, and as a result, the ideal range of 50 - 60°F (10 - 16°C) may not be reached.
- The temperature may also fluctuate depending on whether the interior light is on and whether the bottles are located on the upper, middle or lower racks.

### ***Adjusting the Temperature and the Interior Light:***

- Press the buttons on the display panel to turn on the interior light and to set the temperature.
- The two buttons on the panel - “” and “” - adjust the temperature in increments of 1° C between 10 - 18° C (50 - 66°F). You can also switch the interior light on or off by pressing the “” button.

## **CARE AND MAINTENANCE**

### ***Cleaning Your Wine Cooler:***

- Unplug the wine cooler from the power supply and remove any wine bottles from the unit.
- Clean the inside of the wine cooler with a warm water and baking soda solution. The solution should consist of 2 tablespoons of baking soda to one quart of water.
- Clean the outside of the wine cooler with mild detergent and warm water.
- Remove the water reservoir from the bottom of the unit and rinse it with water.

### ***Transporting Your Wine Cooler:***

- Remove all bottles from the unit.
- Securely tape down the shelves inside the wine cooler.
- Screw the leveling legs up to the unit's base to avoid damage.
- Tape the door shut.
- Make sure the wine cooler stays in an upright position during transportation.

## **TROUBLESHOOTING**

Many common wine cooler problems can be easily solved, saving you the cost of a possible service call. Try the suggestions below to see if you can solve your problem before calling customer service.

<b>PROBLEM:</b>	<b>POSSIBLE CAUSES:</b>
The wine cooler does not operate.	<ul style="list-style-type: none"><li>• The unit is not plugged in or may be plugged in using a different voltage.</li><li>• The circuit breaker may be tripped or there may be a blown fuse in your home.</li></ul>
The wine cooler does not get cold enough.	<ul style="list-style-type: none"><li>• Check the unit's temperature control settings.</li><li>• The external environment may be too hot.</li><li>• The door is being opened too often.</li><li>• The door is not closed completely.</li><li>• The door seal does not seal properly.</li><li>• The wine cooler does not have the correct clearances.</li></ul>
The internal light does not work.	<ul style="list-style-type: none"><li>• Call customer service.</li></ul>
The unit is vibrating.	<ul style="list-style-type: none"><li>• Make sure the wine cooler is placed on a level floor surface.</li></ul>
The wine cooler is making too much noise.	<ul style="list-style-type: none"><li>• The wine cooler is not leveled.</li><li>• Check the unit's fan.</li></ul>
The door will not close properly.	<ul style="list-style-type: none"><li>• The wine cooler is not leveled.</li><li>• The doors are not installed properly.</li><li>• The magnetic seal is not working properly.</li><li>• The shelves are not positioned correctly.</li></ul>
There is no LED display.	<ul style="list-style-type: none"><li>• There may be a problem with the main control board.</li><li>• There may be a PCB problem.</li><li>• There is a problem with the plug.</li></ul>
There is an LED display error.	<ul style="list-style-type: none"><li>• The Negative Temperature Coefficient (NTC) thermistor is damaged.</li></ul>
The push buttons are not functioning properly.	<ul style="list-style-type: none"><li>• The control panel is damaged.</li></ul>

