

# CITY II RAKE LOW PROFILE BED

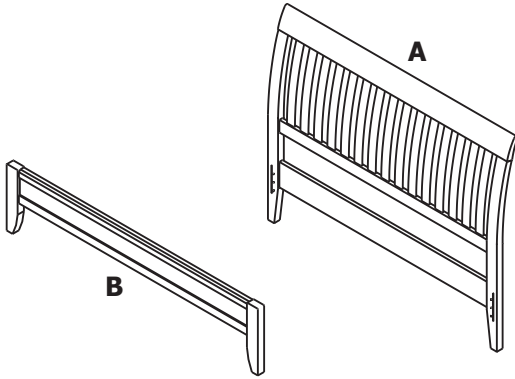
## FULL/QUEEN SIZE ASSEMBLY INSTRUCTIONS



### PARTS AND FITTING PACKAGING DETAIL

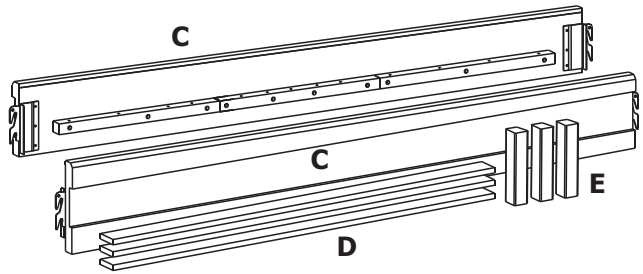
#### BOX #1

- A. HEADBOARD 1 PC
- B. FOOTBOARD 1 PC

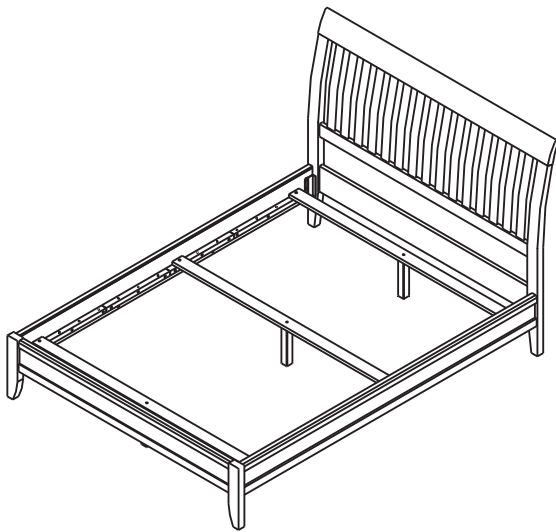


#### BOX #2

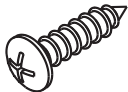

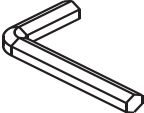
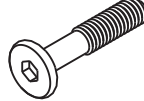
- C. SIDERAILS 2 PCS
- D. BED SLATS 3 PCS
- E. LEG SUPPORT 3 PCS
- HARDWARE BOX



#### CITY II RAKE LOW PROFILE BED ASSEMBLED

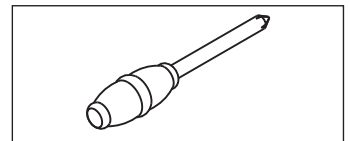


#### HARDWARE PACKED IN BOX #2

1	ROUND HEAD SCREW 15MM	12 PCS	2	WOOD SCREW Ø8X30MM	6 PCS
					
3	ALLEN KEY	1 PC	4	ALLEN BOLT 40MM	3 PCS
					

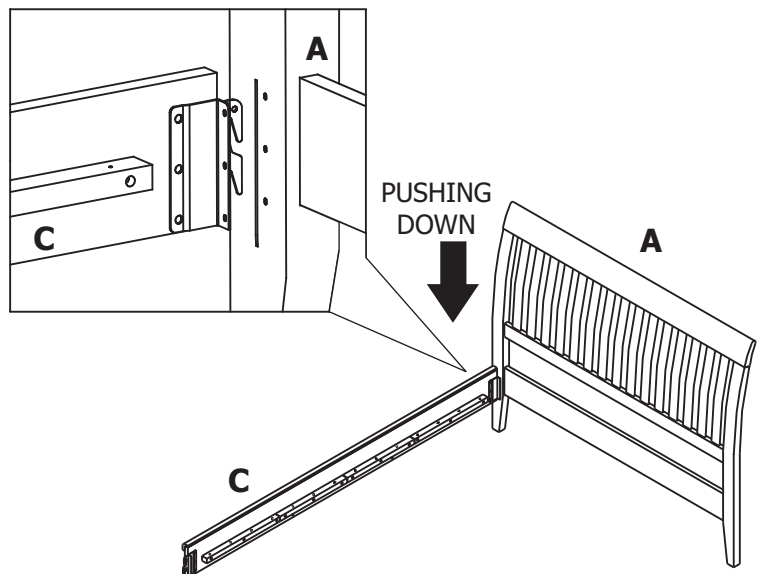
#### TOOL REQUIRED :

PHILLIPS HEAD SCREW DRIVER (NOT PROVIDED)



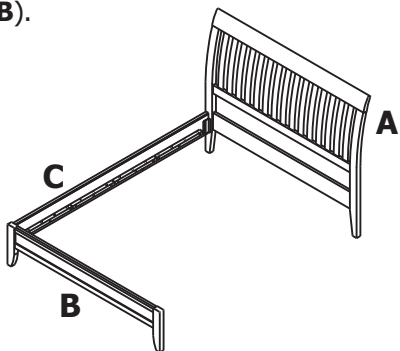
#### STEP 1 :

FIX ONE OF THE SIDERAILS (C) TO THE HEADBOARD (A) BY SLIDING IN THE HOOK INSTALLED AT THE END OF THE SIDERAIL (C) TO THE HEADBOARD (A), AND PUSH THE SIDERAIL (C) DOWN TO SECURE THE CONNECTION.

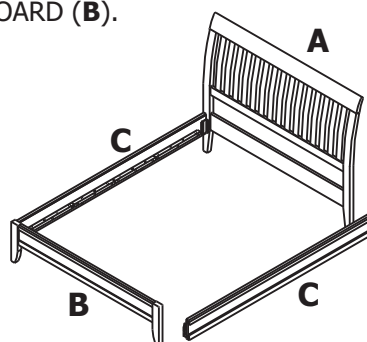


**STEP 2 :**

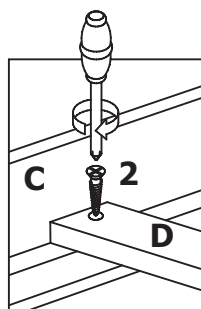
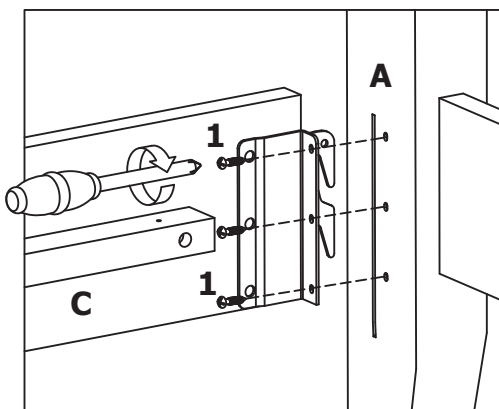
FIX THE OTHER END OF THE SIDERAIL (C) TO THE FOOTBOARD (B).

**STEP 3 :**

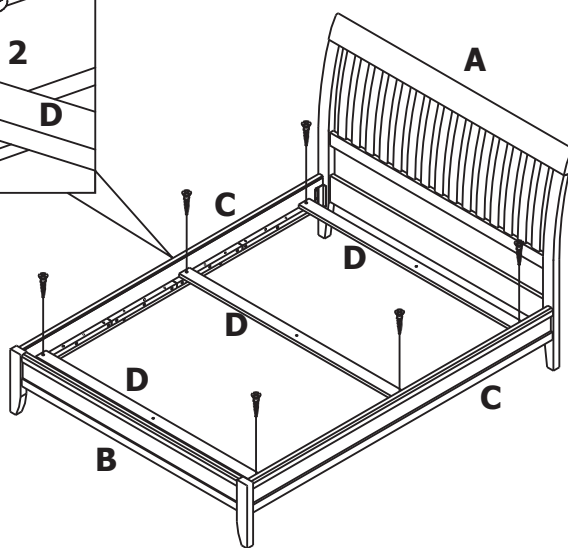
FIX THE OTHER SIDERAIL (C) TO THE HEADBOARD (A) AND FOOTBOARD (B).

**STEP 4 :**

SECURE BOTH SIDERAILS (C) TO THE HEADBOARD (A) AND FOOTBOARD (B) USING ROUND HEAD SCREWS (1) AS SHOWN IN THE ILLUSTRATION.

**STEP 5 :**

FOLLOW THE ILLUSTRATION TO PLACE THREE BED SLATS (D) ON THE BED FRAME AND SECURE THE BED SLATS (D) USING WOOD SCREWS (2). USE THE PILOT HOLES ON THE SIDERAILS (C) AS YOUR REFERENCE FOR EASY ASSEMBLY.

**STEP 6 :**

FOLLOW THE ILLUSTRATION TO FIX THE LEG SUPPORT (E) TO BED SLATS (D) USING ALLEN BOLTS (4). USE ALLEN KEY (3) TO TIGHTEN THE BOLTS. MAKE SURE ALL BOLTS AND SCREWS ARE TIGHTENED BEFORE USING.

