






Assembly Instructions

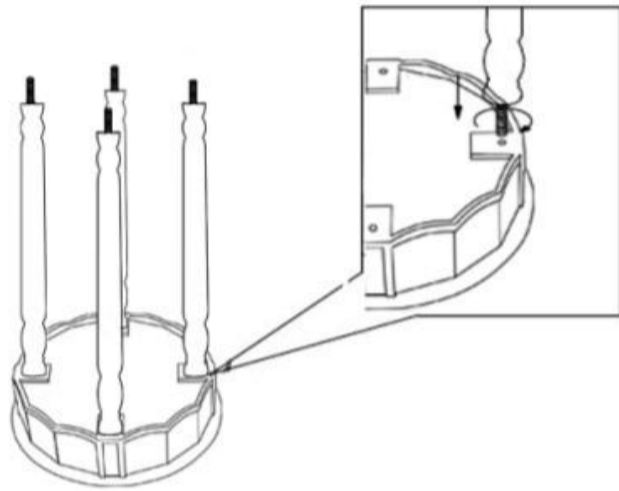
Item: PRESIDIO MIRROR ROUND SIDE TABLE WITH SHELF

Laying out all the parts and hardware and identifying each part as shown may help you as you assemble the table.

ITEM	PART	DESC.	QTY
1		Table top	1
3		Wooden Shelf	1

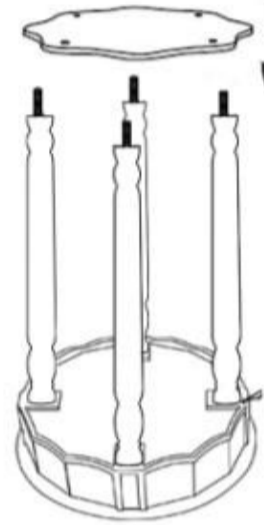
ITEM	PART	DESC.	QTY
2		Wood legs	4
4		extension legs	4
5		adjustable hardware	4

STEP ONE



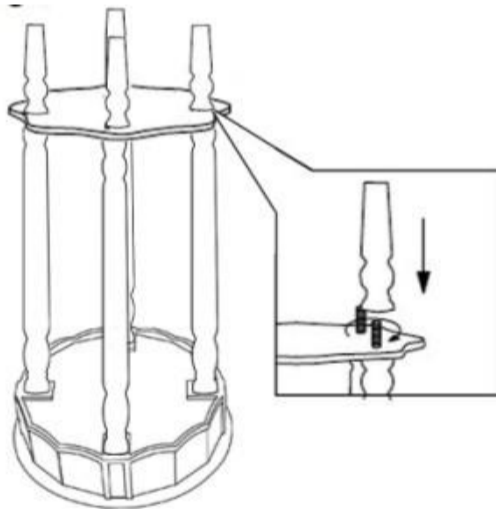
Lay out all parts listed above on soft, clean and dry surface. Install legs by tightening screws to table top. Color labels should match up on legs and table top. Please note that screws should not be fully tightened at this step.

STEP TWO

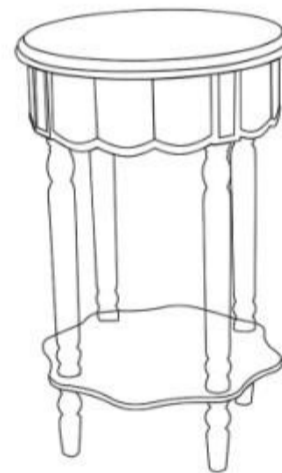


Place bottom shelf onto the legs.

STEP THREE



Install extension legs and screw up all parts below table top, then turn the adjustable hardware.



If the table isn't on same level, adjust leg levelers on bottom of legs a bit.