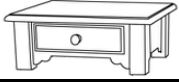


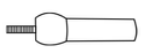



Assembly Instructions

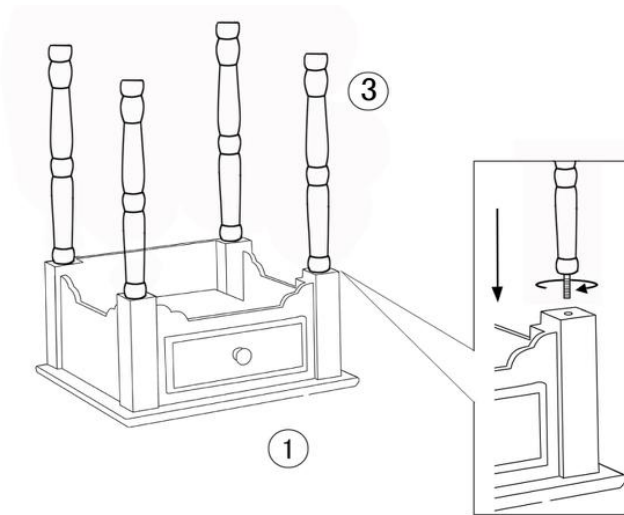
Item: BLACK SIDE TABLE

Laying out all the parts and hardware and identifying each part as shown may help you as you assemble the table.

ITEM	PART	DESC.	QTY
1		Table top	1
2		Wooden Shelf	1
3		Wood legs	4

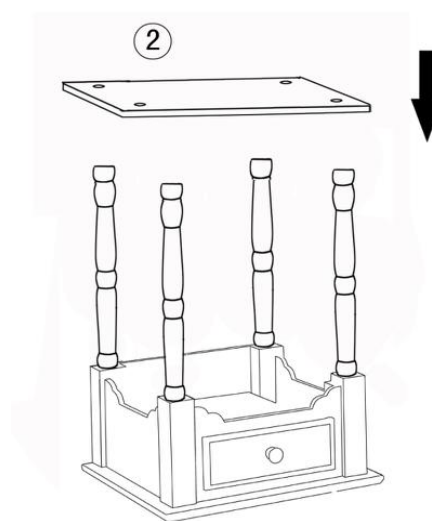
ITEM	PART	DESC.	QTY
4		extension legs	4
5		adjustable hardware	4

STEP ONE



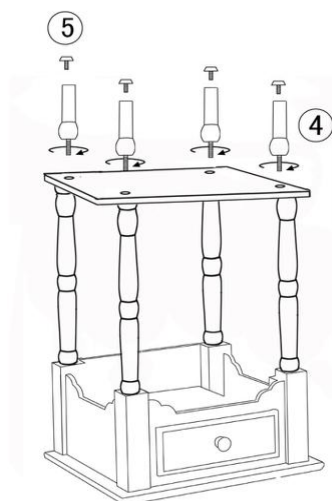
Turn table top upside down on a clean, dry and soft surface. Place the leg on the table top. Align the holes, and tighten screws.

STEP TWO



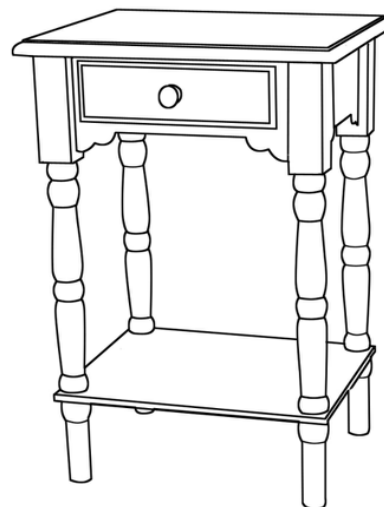
Place bottom shelf onto the legs.

STEP THREE



Install extension legs and screw up all parts below table top, then turn the adjustable hardware.

STEP FOUR



If the table isn't on same level, adjust leg levelers on bottom of legs a bit.