

PORTABLE AIR CONDITIONER

Use & Care Guide

For questions about features, operation/performance, parts
or service, call: 1-877-465-3566

In Canada, call for assistance, installation
and service, call: 1-877-577-4105

AIRE ACONDICIONADO PORTÁTIL

Guía de instrucciones

Para preguntas sobre características, funcionamiento,
rendimiento, piezas

o servicio, llame al: 1-877-465-3566

En Canadá, para asistencia, instalación
o servicio, llame al: 1-877-577-4105

TABLE OF CONTENTS

AIR CONDITIONER SAFETY	3	Using the Remote Control	11
INSTALLATION REQUIREMENTS	3	Changing Air Direction	13
Identification of Parts.....	4	Normal Sounds.....	13
Tools and Parts	4	PORTABLE AIR CONDITIONER CARE	14
Location Requirements	5	Draining the Air Conditioner	14
Electrical Requirements	5	Cleaning the Air Filter	14
INSTALLATION INSTRUCTIONS	6	Cleaning the Outside.....	14
Unpack the Air Conditioner.....	6	Storing After Use	14
Install Portable Air Conditioner	6	TROUBLESHOOTING	15
Complete Installation	8	ASSISTANCE OR SERVICE	16
PORTABLE AIR CONDITIONER USE	9	In the U.S.A.	16
Starting Your Portable Air Conditioner	9	In Canada	16

ÍNDICE

SEGURIDAD DEL AIRE ACONDICIONADO	17	Uso del mando a distancia	25
REQUISITOS DE INSTALACIÓN	17	Cambiar la dirección del aire	27
Identificación de las piezas	18	Sonidos normales.....	27
Herramientas y piezas	18	CUIDADO DEL AIRE ACONDICIONADO PORTÁTIL	28
Requisitos de ubicación	19	Drenaje del aire acondicionado	28
Requisitos eléctricos	19	Limpiar los filtros de aire	28
INSTRUCCIONES DE INSTALACIÓN	20	Limpiar el exterior	28
Desembalaje del aire acondicionado	20	Guardar tras su uso.....	28
Instalación del aire acondicionado portátil	20	Problemas	29
Instalación completa	22	ASISTENCIA O SERVICIO	30
USO DEL AIRE ACONDICIONADO PORTÁTIL	23	En Estados Unidos	30
Primer uso de su aire acondicionado portátil	23	En Canadá	30

AIR CONDITIONER SAFETY

Your safety and the safety of others are very important.

We have provided many important safety messages in this manual and on your appliance. Always read and obey all safety messages.



This is the safety alert symbol.

This symbol alerts you to potential hazards that can kill or hurt you and others.

All safety messages will follow the safety alert symbol and either the word "DANGER" or "WARNING."

These words mean:

⚠ DANGER

You can be killed or seriously injured if you don't immediately follow instructions.

⚠ WARNING

You can be killed or seriously injured if you don't follow instructions.

All safety messages will tell you what the potential hazard is, tell you how to reduce the chance of injury, and tell you what can happen if the instructions are not followed.

IMPORTANT SAFETY INSTRUCTIONS

WARNING: To reduce the risk of fire, electrical shock or injury when using your air conditioner, follow these basic precautions:

- Plug into a grounded 3 prong outlet.
- Do not use an extension cord.
- Do not remove ground prong.
- Unplug air conditioner before servicing.
- Do not use an adapter.
- Use two or more people to move and install air conditioner.

SAVE THESE INSTRUCTIONS

Disposing of the unit:

- Before disposing of the remote control, it is necessary to remove the batteries and dispose of them in an environmentally responsible manner.
- When you need to dispose of the unit, consult with your local dealer or local recycling center for information on how to dispose of the unit in a environmentally responsible manner.
- Please recycle or dispose of the packaging material for product in an environmentally responsible manner.

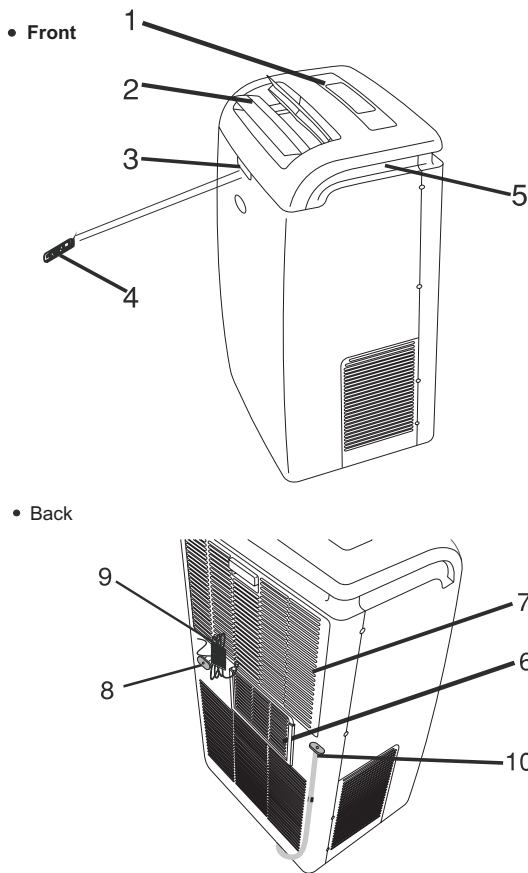
State of California Proposition 65 Warnings:

WARNING: This product contains one or more chemicals known to the State of California to cause cancer.

WARNING: This product contains one or more chemicals known to the State of California to cause birth defects or other reproductive harm.

INSTALLATION REQUIREMENTS

Identification of Parts



- 1 Control panel
- 2 Cold air outlet
- 3 Signal receptor
- 4 Remote controller
- 5 Transport handle
- 6 Hot air outlet
- 7 Evaporator air intake
- 8 Secondary drain port
- 9 Power supply
- 10 Primary drain port

▲ The figures in this manual are based on the external view of a standard model. Consequently, the shape may differ from that of the air conditioner you have selected.

Tools and Parts

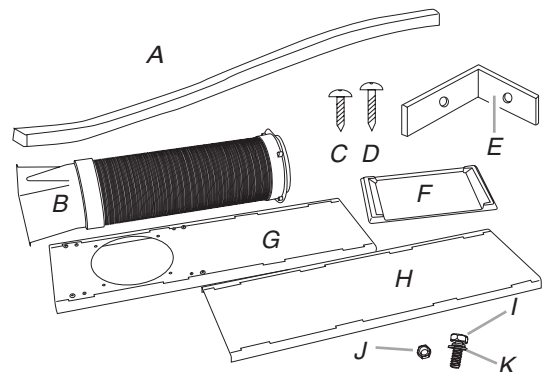
Gather the required tools and parts before starting installation. Read and follow the instructions provided with any tools listed here.

Tools needed

- Phillips screwdrivers
- Scissors
- Saw
- Tape measure
- Pencil
- Cordless drill and 1/8" or smaller bit

Parts supplied

Check that all parts are included in the package containing parts.



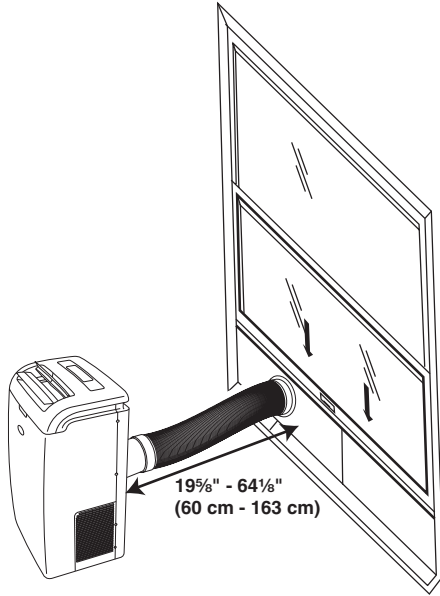
- A. Foam seal
- B. Flexible exhaust hose with adapters attached
- C. 1/2" screws (8)
- D. 3/4" screws (4)
- E. Window lock bracket (2)
- F. Rain cover
- G. Outer window slider section
- H. Inner window slider section
- I. Bolts (4)
- J. Nuts (4)
- K. Washers (4)

Location Requirements

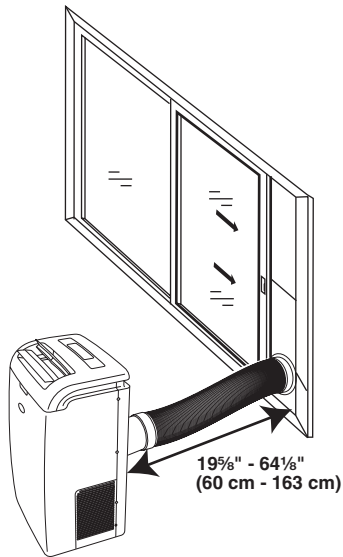
NOTES:

- The flexible exhaust hose allows placement of the air conditioner between 19 $\frac{5}{8}$ " and 64 $\frac{1}{8}$ " (60 cm and 163 cm) from window or door.
- Portable air conditioners are designed as supplemental cooling to local areas within a room.

Vertical Slide Window



Horizontal Slide Window



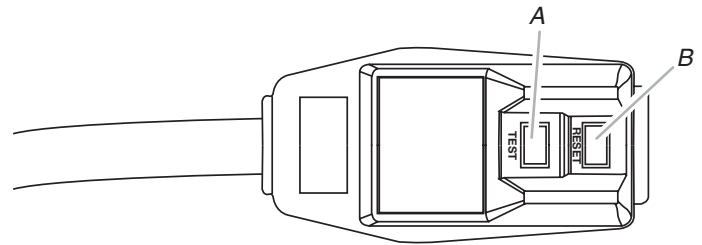
- To ensure proper ventilation, keep the required distance from the return air outlet to the wall or other obstacles at least 19 $\frac{5}{8}$ " (60 cm).
- Do not block the air outlet.
- Provide easy access to the grounded 3 prong outlet.

Electrical Requirements

- The portable air conditioner should be connected to a 115 V, 60 Hz, 15-amp fused grounded 3 prong outlet.
- The use of a time-delay fuse or time-delay circuit breaker is recommended.
- All wiring must comply with local and national electrical codes and be installed by a qualified electrician. If you have any questions, contact a qualified electrician.

Power Supply Cord

NOTE: Your air conditioner's device may differ from the one shown.



A. Test button
B. Reset button

This room air conditioner is equipped with a power supply cord required by UL. This power supply cord contains state-of-the-art electronics that sense leakage current. If the cord is crushed, the electronics detect leakage current and power will be disconnected in a fraction of a second.

⚠ WARNING



Electrical Shock Hazard

Plug into a grounded 3 prong outlet.

Do not remove ground prong.

Do not use an adapter.

Do not use an extension cord.

Failure to follow these instructions can result in death, fire, or electrical shock.

To test your power supply cord:

1. Plug power supply cord into a grounded 3 prong outlet.

2. Press RESET (on some devices, a green light will turn on).
3. Press TEST (listen for click; Reset button will trip, and on some devices, a green light will turn off).
4. Press and release RESET (listen for click; Reset button will latch, and on some devices, a green light will turn on). The power supply cord is ready for operation.

NOTES:

- The Reset button must be pushed in for proper operation.
- The power supply cord must be replaced if it fails to trip when the test button is pressed or fails to reset.
- Do not use the power supply cord as an off/on switch.
- A damaged power supply cord must be replaced with a new power supply cord obtained from the product manufacturer and must not be repaired.
- The power supply cord contains no user serviceable parts. Opening the tamper-resistant case voids all warranty and performance claims.

INSTALLATION INSTRUCTIONS

Unpack the Air Conditioner

⚠ WARNING

Excessive Weight Hazard

Use two or more people to move and install air conditioner.

Failure to do so can result in back or other injury.

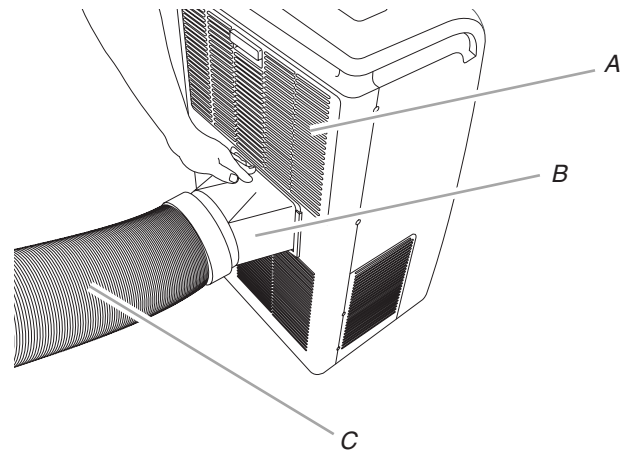
Remove packaging materials

- Remove and dispose of/recycle packaging materials. Remove tape and glue residue from surfaces before turning on the air conditioner. Rub a small amount of liquid dish soap over the adhesive with your fingers. Wipe with warm water and dry.
- Do not use sharp instruments, rubbing alcohol, flammable fluids, or abrasive cleaners to remove tape or glue. These products can damage the surface of your air conditioner.

Install Portable Air Conditioner

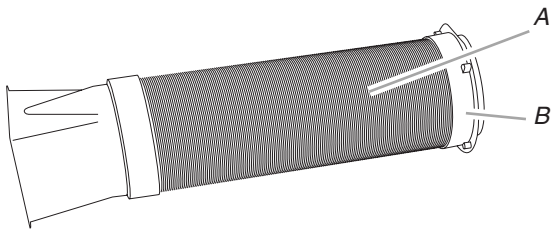
Install Exhaust Hose and Adapter

1. Roll the air conditioner to selected location. See "Location Requirements."
2. Insert the hose adapter into the slot on the back of the air conditioner.
3. Slide down to lock the hose into place.



A. Evaporator air intake
B. Hose adapter
C. Flexible exhaust hose

- Attach the window exhaust adapter to the flexible exhaust hose. Turn clockwise until securely locked into place.

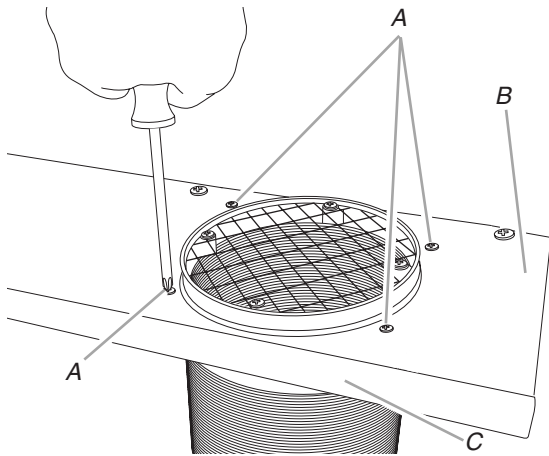


A. Flexible exhaust hose
B. Window exhaust adapter

Window Installation

Your window slider kit has been designed to fit most standard vertical and horizontal window applications. However, it may be necessary for you to modify some aspects of the installation procedures for certain types of windows.

- Insert the window exhaust adapter into the window slider kit.
- Using 4 screws (provided), attach the window exhaust adapter to the window slider kit.



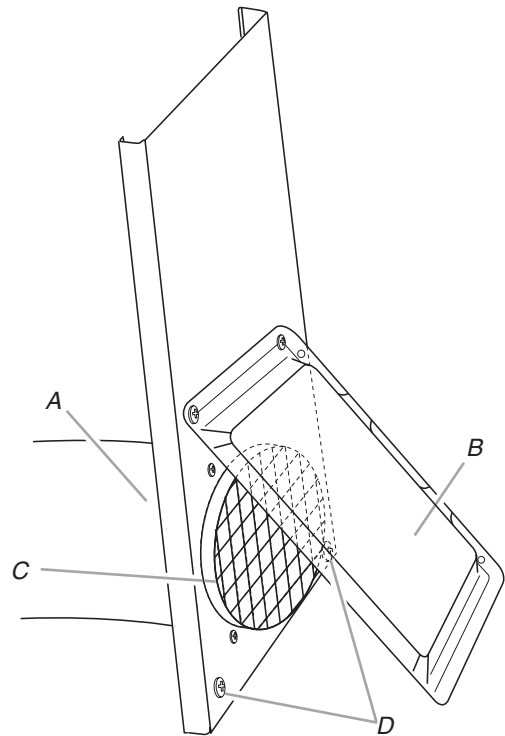
A. Screw locations
B. Window slider kit
C. Window exhaust adapter

- Using the 2 bolts, washers and nuts (provided), attach the rain cover to the window slider kit for either the vertical or horizontal installation.

NOTES:

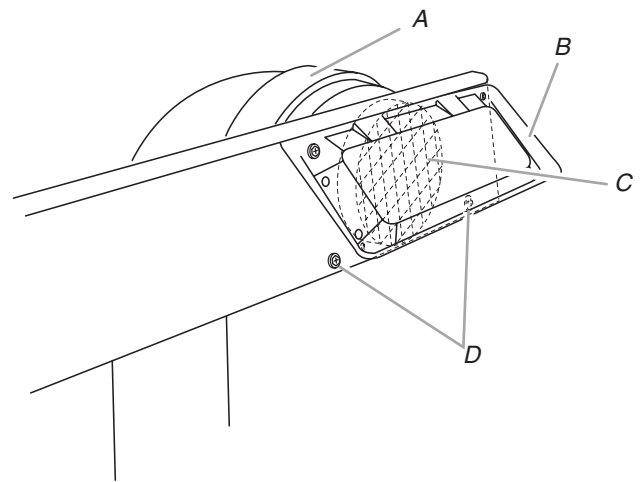
- The holes in the window slider kit are positioned for attaching the rain cover for vertical installation or horizontal installation.
- Insert the other 2 bolts, washers and nuts (provided) into the unused holes in the window slider kit to keep moisture from leaking through the window slider kit.

Rain Cover—Vertical Installation



A. Window exhaust adapter
B. Rain cover
C. Outlet grille
D. Bolts inserted into unused holes in window slider kit

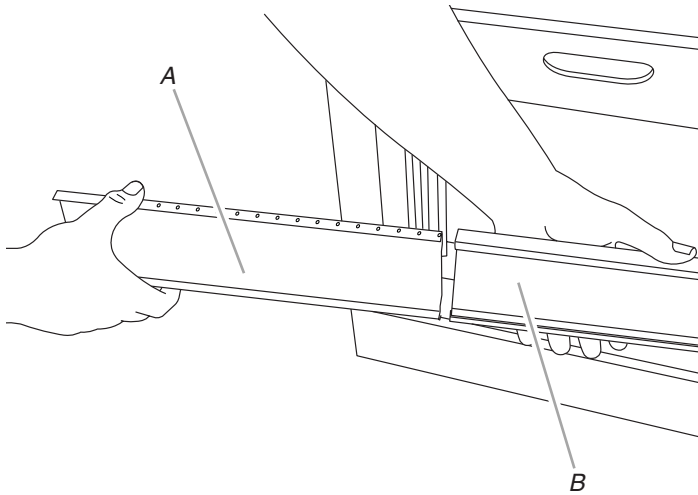
Rain Cover—Horizontal Installation



A. Window exhaust adapter
B. Rain cover
C. Outlet grille
D. Bolts inserted into unused holes in window slider kit

- Open the window.
- Measure the window opening.

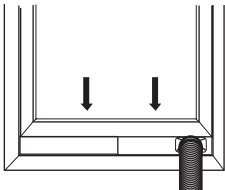
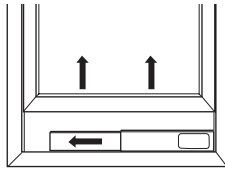
- If the window opening is too narrow for the window slider kit, remove the inner slider section from the window slider kit.



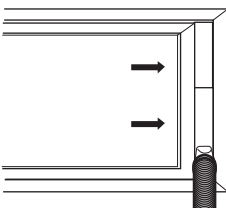
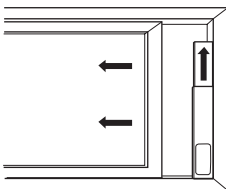
A. Inner slider section
B. Outer slider section

- Using a saw, cut the inner slider section to fit the window opening.
- Slide the inner slider section into the outer slider section of the window slider kit.

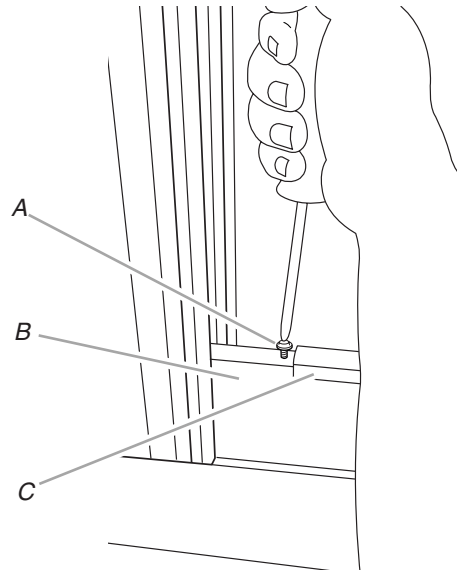
6. Place the window slider kit into the window, extending it to fit the width of the window. Be sure the rain cover is on the outside of the window.



NOTE: For casement window installation, the window slider kit may be installed vertically with the window slider kit opening at the bottom.

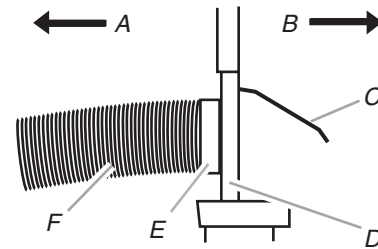


7. Insert 1/2" screw (provided) into the hole in the inner slider section that is closest to the end of the outer slider section of the window slider kit.



A. 1/2" screw (provided)
B. Inner slider section
C. Outer slider section

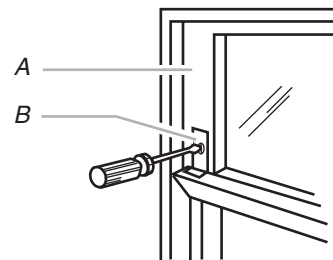
8. Close the window onto the window slider kit to secure.



A. To portable air conditioner
B. Outdoors
C. Rain cover
D. Window slider kit
E. Window exhaust adapter
F. Flexible exhaust hose

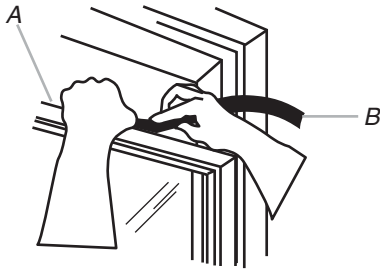
Complete Installation

1. Place the window-lock bracket on top of the lower window and against the upper window sash.
2. Use 1/8" drill bit to drill a starter hole through the hole in the bracket.
3. Attach the window-lock bracket to the window sash with 3/4" screw to secure the window in place.



A. Upper window sash
B. Window-lock bracket

- Insert the foam seal behind the top of the lower window sash and against the glass of the upper window.



A. Top of lower window sash
B. Foam seal

⚠ WARNING



Electrical Shock Hazard

Plug into a grounded 3 prong outlet.

Do not remove ground prong.

Do not use an adapter.

Do not use an extension cord.

Failure to follow these instructions can result in death, fire, or electrical shock.

- Plug into a grounded 3 prong outlet.
- Press RESET on the power supply cord. See “Electrical Requirements.”

PORTABLE AIR CONDITIONER USE

Operating your portable air conditioner properly helps you to obtain the best possible results.

This section explains proper portable air conditioner operation.

IMPORTANT:

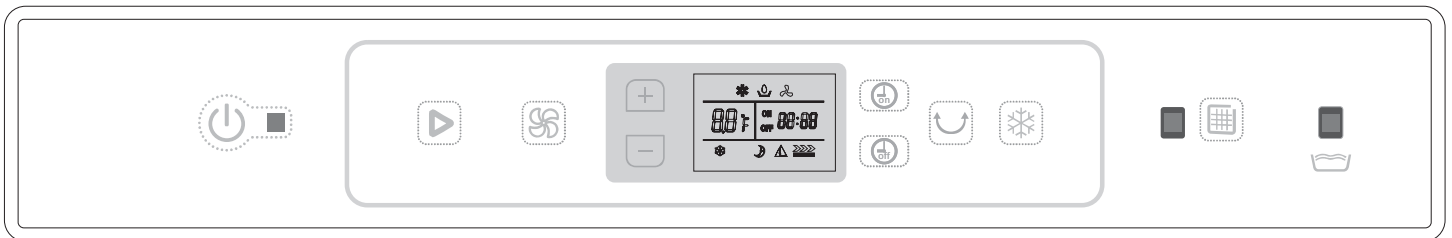
- The air conditioner display shows the current room temperature and 24-hour clock.
- When changing modes while the air conditioner is operating, the compressor will stop for 3 to 5 minutes before restarting.

If a button is pressed during this time, the compressor will not restart for another 3 to 5 minutes.

- In Cooling or Dry mode, the compressor and condenser fan will stop when the room temperature reaches the set temperature.

NOTE: In the event of a power failure, your air conditioner will operate at the previous settings when the power is restored.

Starting Your Portable Air Conditioner



- Select the mode. See “Mode.”
- Select the fan speed. See “Fan Speed.”
- Set the temperature. See “Temperature.”
- Press ON/OFF to start the air conditioner.



On/Off

NOTE: When the air conditioner is turned on for the first time after it is plugged in, it will run in the 6th Sense[®] System control. When the air conditioner is turned on at all other times, it will run according to the previous settings. 6th Sense[®] System control can be selected with the remote control only.

- When the WATER FULL indicator light glows red, the air conditioner will turn off automatically. See “Portable Air Conditioner Care” for directions on draining the air conditioner.



Water Full

Mode

1. Press MODE repeatedly until you see the symbol glow for the desired setting.



Mode

2. Choose Cooling, Dry, or Fan Only.
 - Cooling—Cools the room. Press FAN SPEED to select Auto, High, Mid or Low. Press the up or down Adjust button to adjust the temperature.



- Dry—Dries the room. The air conditioner automatically selects the temperature. The fan runs on Low speed only.
NOTE: Dry mode should not be used to cool the room.



- Fan Only—Only the fan runs. Press FAN SPEED to select High, Mid or Low.



NOTE: Auto fan speed cannot be selected in Fan Only mode.

RapidCool™ Control

Used for fast cooling. The air conditioner automatically sets the fan speed to High and the temperature to 64°F (18°C).

1. Press RAPIDCOOL™ control. The air conditioner automatically sets the fan speed to High and the temperature to 64°F (18°C).



RapidCool

2. To turn off RapidCool™ control, press any button on the remote control or control panel except Timer On, Timer Off and Swing.

Fan Speed

1. Press FAN SPEED repeatedly to choose the desired fan speed.



Fan Speed

2. Choose Auto, High, Mid or Low.

- Auto—automatically controls the fan speed depending on the current room temperature and temperature control setting.

NOTE: Auto fan speed cannot be selected in Fan Only mode.



- High—for maximum cooling



- Mid—for normal cooling



- Low—for quieter cooling



Filter Reset

1. When the Filter Reset indicator light is lit, remove, clean and replace the air filter. See “Cleaning the Air Filter.”
2. Press and hold FILTER RESET for 3 seconds after replacing the air filter.



Filter Reset

NOTE: After 360 hours of fan operating time, the Filter Reset indicator light will turn on. It will remain on for 180 hours or until you press FILTER RESET. After 180 hours, the Filter Reset indicator light will turn off automatically.

Temperature

- Press the up Adjust button to raise the temperature. Press the up Adjust button once to increase the set temperature by 2°F (1°C), or press twice to increase the set temperature by 4°F (2°C).



- Press the down Adjust button to lower the temperature. Press the down Adjust button once to decrease the set temperature by 2°F (1°C), or press twice to decrease the set temperature by 4°F (2°C).



NOTES:

- In the Cooling mode, the temperature can be set between 64°F and 90°F (18°C and 32°C).
- In Fan Only mode, the temperature cannot be set.

- To change the temperature display from °F to °C, press both the up and down Adjust buttons at the same time.



Clock

1. To set or adjust the clock, press TIMER ON and TIMER OFF at the same time.
2. Press the up or down Adjust button to set the time of day. Press the Adjust button once for the time to change in 1-minute increments. Press and hold the Adjust button for several seconds for the time to change in 10-minute increments. Press and hold the Adjust button longer for the time to change in 1-hour increments.
3. Press TIMER ON and TIMER OFF at the same time again. The time of day will show on the display.

NOTE: Time of day will display in 24-hour format (military time) only.

Timer Delay

To set the Timer for a 1-minute to 24-hour delay until the air conditioner turns off (the air conditioner must be On):

1. Press TIMER OFF. "OFF: 12:00" will flash on the control panel display.



2. Press the up or down Adjust button to change the delay time from 1 minute to 24 hours. Press the Adjust button once for the time to change in 1-minute increments. Press and hold the Adjust button for several seconds for the time to change in 10-minute increments. Press and hold the Adjust button longer for the time to change in 1-hour increments.
3. Press TIMER OFF again. Timer "Off" indicator light and the set time will remain on.
4. After 5 seconds, the control panel display will show the current time.

To set the Timer to turn on the air conditioner, keeping previous settings:

1. Turn off the air conditioner.
2. Press TIMER ON. "ON 12:00" will flash on the control panel display.



3. Press the up or down Adjust button to change the delay time from 1 minute to 24 hours. Press the Adjust button once for the time to change in 1-minute increments. Press and hold the Adjust button for several seconds for the time to change in 10-minute increments. Press and hold the Adjust button longer for the time to change in 1-hour increments.
4. Press TIMER ON again. Timer "ON" indicator light and the set time will remain on.
5. After 5 seconds, the control panel display will show the current time.

To set the Timer to turn on the air conditioner, changing the previous settings:

1. Turn off the air conditioner.
2. Adjust mode to Cooling, Dry or Fan Only.
3. Adjust fan speed to Auto, High, Mid or Low.
 - NOTE:** Auto fan speed cannot be selected in Fan Only mode.
4. Adjust temperature between 64°F and 90°F (18°C and 32°C).
 - NOTE:** In Fan Only and Dry modes, the temperature cannot be adjusted.

5. Press TIMER ON. "ON 12:00" will flash on the control panel display.
6. Press the up or down Adjust button to change the delay time from 1 minute to 24 hours. Press the Adjust button once for the time to change in 1-minute increments. Press and hold the Adjust button for several seconds for the time to change in 10-minute increments. Press and hold the Adjust button longer for the time to change in 1-hour increments.
7. Press TIMER ON again. Timer "ON" indicator light and the set time will remain on.
8. After 5 seconds, the control panel display will show the current time.

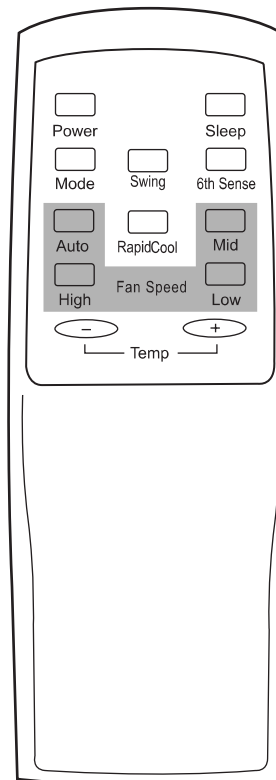
To clear Timer delay program:

NOTE: Air conditioner can be either on or off.

1. Press TIMER OFF again to clear Timer Off feature. Timer indicator light will turn off.
2. Press TIMER ON again to clear Timer On feature. Timer indicator light will turn off.

Using the Remote Control

NOTE: Remote control may vary in appearance.



NOTES:

- Two AA batteries (included) power the remote control. Replace batteries after 6 months of use, or when the remote control starts to lose power.
- To operate the air conditioner with the remote control, aim the remote control at the signal receptor from no more than 23 ft (7 m) away.

Power On or Off

Press POWER.



Power

Mode

1. Press MODE repeatedly until you see the symbol glow for the desired setting.



Mode

2. Choose Cooling, Dry or Fan Only.
 - Cooling—Cools the room. Press AUTO, HIGH, MID or LOW to select the fan speed. Press the plus or minus TEMP button to adjust the temperature.



- Dry—Dries the room. The air conditioner automatically selects the temperature. The fan runs on Low speed only. **NOTE:** Dry mode should not be used to cool the room.



- Fan Only—Only the fan runs. Press HIGH, MID or LOW.



NOTE: Auto fan speed cannot be selected in Fan Only mode.

6th Sense[®] System Control

The air conditioner automatically selects Cooling or Dry mode, depending on room temperature and sets the temperature to 79°F (26°C).

- The temperature set point can be adjusted down to 75°F (24°C) or up to 83°F (28°C). Press the plus or minus TEMP button once to change the temperature 2°F (1°C) or twice to change it 4°F (2°C).



- If the current room temperature is lower than 73°F (23°C), Fan Only mode is selected automatically. Press HIGH, MID or LOW fan speed.

NOTE: Auto fan speed cannot be selected in Fan Only mode.

- If the current room temperature is between 73°F (23°C) and 79°F (26°C), Dry mode and Auto fan speed are selected automatically.
 - If the current room temperature is higher than 79°F (26°C), Cooling mode and Auto fan speed are selected automatically.
1. Press 6th Sense[®] system control.



6th Sense[®]

2. In Fan Only mode, press HIGH, MID or LOW. **NOTE:** Auto fan speed cannot be selected in Fan Only mode.

RapidCool™ Control

Used for fast cooling. The air conditioner automatically sets the fan speed to High and the temperature to 64°F (18°C).

1. Press RAPIDCOOL™ control. The air conditioner automatically sets the fan speed to High and the temperature to 64°F (18°C).

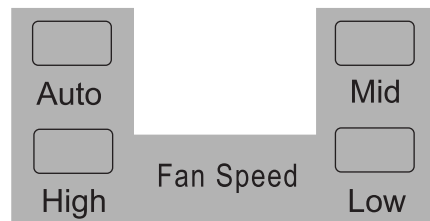


RapidCool

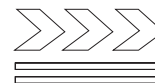
2. To turn off RapidCool™ control, press any button on the remote control or control panel except Timer On, Timer Off and Swing.

Fan Speed

1. Choose desired fan speed.



2. Press AUTO, HIGH, MID or LOW.
 - Auto—automatically controls fan speed depending on current room temperature and temperature control setting. **NOTE:** Auto fan speed cannot be selected in Fan Only mode.



- High—for maximum cooling



- Mid—for normal cooling



- Low—for quieter cooling

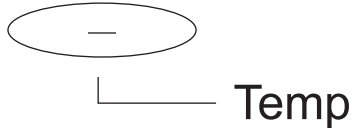


Temperature

- Press the plus TEMP button to raise the temperature. Press the plus TEMP button once to increase the set temperature by 2°F (1°C), or press twice to increase the set temperature by 4°F (2°C).



- Press the minus TEMP button to lower the temperature. Press the minus TEMP button once to decrease the set temperature by 2°F (1°C), or press twice to decrease the set temperature by 4°F (2°C).



NOTES:

- In the Cooling mode, the temperature can be set between 64°F and 90°F (18°C and 32°C).
- In Fan Only mode, Sleep control and 6th Sense® System control, the temperature cannot be set.

Sleep Control

The fan speed automatically sets to Low speed, and the control panel lights dim.

NOTES:

- If the current room temperature is 79°F (26°C) or higher, the set temperature will not change when Sleep control is activated.



- If the current room temperature is below 79°F (26°C), the temperature will automatically increase 2°F (1°C) during the first hour after Sleep control is activated.
- The set temperature will not increase during the last 7 hours of Sleep control.

1. Press MODE to select Cooling or Dry.
NOTE: Sleep control cannot be selected when Fan Only is selected.
2. Press the plus or minus TEMP button to set the temperature.
3. Press SLEEP. After 5 seconds, the lights on the control panel display will dim.

NOTE: The mode, temperature and airflow direction may be adjusted during Sleep control. The fan speed is automatically set to Low speed. After 5 seconds, the lights on the control panel display will dim again.



Sleep

4. To turn off Sleep control, press SLEEP, MODE, POWER or wait 8 hours for Sleep control to turn off automatically.

NOTE: The air conditioner will return to previous settings after Sleep control is turned off.

Changing Air Direction

On Remote Control or Control Panel

Press SWING once to change vertical airflow direction. Press again to stop airflow louver at desired airflow direction.



Swing

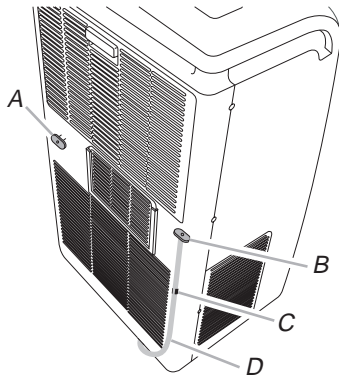
Normal Sounds

When your air conditioner is operating normally, you may hear sounds such as:

- Air movement from the fan.
- Clicks from the thermostat cycle.
- Vibrations or noise due to poor wall or window construction.
- A high-pitched hum or pulsating noise caused by the modern high-efficiency compressor cycling on and off.

PORTABLE AIR CONDITIONER CARE

Draining the air conditioner



- A.Secondary drain plug C.Drain hose clip
B.Drain hose plug D.Primary drain hose

⚠ WARNING

Excessive Weight Hazard

Use two or more people to move and install air conditioner.

Failure to do so can result in back or other injury.

Continuous Draining

The air conditioner has a unique situation of self draining. You don't need to drain the unit in normal situation. If operating in very humid air, water full light will flash, you need to drain the unit once. If the light keep flashing frequently, drain the unit continuously.

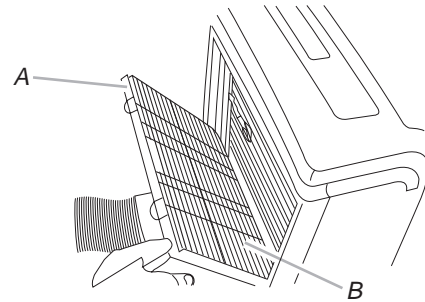
1. Remove the drain hose from drain hose clip.
2. Put the drain hose into a shallow container.
3. Remove the drain hose plug

Draining before Moving and Storage

There may be a little water in the air conditioner, so you have to drain the unit before moving and storage.

1. Press ON/OFF to turn off the air conditioner.
2. Unplug the air conditioner or disconnect power.
3. Move the air conditioner to a drain location or outside.
NOTE: To avoid spilling water from the bucket, move the air conditioner slowly and keep it level.
4. Remove the secondary drain plug and drain water completely.
5. Remove the primary drain hose from the drain hose clip.
6. Remove the drain hose plug from the end of the primary drain hose and drain water completely.
NOTE: If the air conditioner will be stored after use, see " Storing After Use ".
7. Reinstall the secondary drain plug.
8. Reinstall the drain hose plug to the primary drain hose.
9. Reattach the primary drain hose to the drain hose clip.
10. Reposition the air conditioner.
11. Plug in the air conditioner or reconnect power.
12. Press ON/OFF to start the air conditioner.

Cleaning the Air Filter



- A.Filter panel door
B.Air filter

1. Press ON/OFF to turn off the air conditioner.
2. Open the filter panel door on the back of the air conditioner and remove.
3. Remove the air filter from the filter panel door.
4. Use a vacuum cleaner to clean the filter. If the filter is very dirty, wash the filter in warm water with a mild detergent.
NOTE : Do not wash the filter in the dishwasher or use any chemical cleaners.
5. Air dry the filter completely before replacing to ensure maximum efficiency.
6. Reattach the air filter to the filter panel door.
7. Reinstall the filter panel door.
8. Press ON/OFF to start the air conditioner.

Cleaning the Outside

1. Press ON/OFF to turn off the air conditioner.
2. Unplug the air conditioner or disconnect power.
3. Remove the air filter and clean separately. See "cleaning the Air Filter".
4. Wipe the outside of the air conditioner with a soft, damp cloth .
5. Plug in the air conditioner or reconnect power.
6. Press ON/OFF to start the air conditioner.

Storing After Use

1. Drain the water completely. See "draining the Air Conditioner".
2. Run the air conditioner set to Fan Only for approximately 12 hours to dry the air conditioner.
3. Unplug the air conditioner.
4. Remove the flexible exhaust hose and store with the air conditioner in a clean, dry area .See " installation Instructions ".
5. Remove the window kit and store with the air conditioner in a clean, dry area. See " Installation Instructions " .
6. Remove the filter and clean. See Cleaning the Air Filter.
7. Clean the outside of the air conditioner. See "Cleaning the Outside".
8. Reinstall the filter.
9. Remove the batteries and store the remote control with the air conditioner in a clean, dry area .

TROUBLESHOOTING

Before calling for service, try the suggestions below to see whether you can solve your problem without outside help.

Air conditioner will not operate

⚠ WARNING



Electrical Shock Hazard

Plug into a grounded 3 prong outlet.

Do not remove ground prong.

Do not use an adapter.

Do not use an extension cord.

Failure to follow these instructions can result in death, fire, or electrical shock.

- **The power supply cord is unplugged.** Plug into a grounded 3 prong outlet. See “Electrical Requirements.”
- **Time-delay fuse or circuit breaker of the wrong capacity is being used.** Replace with a time-delay fuse or circuit breaker of the correct capacity. See “Electrical Requirements.”
- **The power supply cord has tripped (Reset button has popped out).** Press and release RESET (listen for click; Reset button will latch and remain in) to resume operation.
- **A household fuse has blown, or a circuit breaker has tripped.** Replace the fuse, or reset the circuit breaker. See “Electrical Requirements.”
- **The On/Off button has not been pressed.** Press ON/OFF.
- **The local power has failed.** Wait for power to be restored.

Air conditioner blows fuses or trips circuit breakers

- **Too many appliances are being used on the same circuit.** Unplug or relocate appliances that share the same circuit.
- **You are trying to restart the air conditioner too soon after turning off air conditioner.** Wait at least 3 minutes after turning off air conditioner before trying to restart the air conditioner.
- **You have changed modes.** Wait at least 3 minutes after turning off air conditioner before trying to restart the air conditioner.

Air conditioner power supply cord trips (Reset button pops out)

- **Disturbances in your electrical current can trip (Reset button will pop out) the power supply cord.** Press and release RESET (listen for click; Reset button will latch and remain in) to resume operation.

- **Electrical overloading, overheating, cord pinching or aging can trip (Reset button will pop out) the power supply cord.** After correcting the problem, press and release RESET (listen for click; Reset button will latch and remain in) to resume operation. If the power cord fails to reset, contact a service technician.

NOTE: A damaged power supply cord must be replaced with a new power supply cord obtained from the product manufacturer and must not be repaired.

Air conditioner seems to run too much

- **Is there a door or window open?** Keep doors and windows closed.
- **The current air conditioner replaced an older model.** The use of more efficient components may cause the air conditioner to run longer than an older model, but the total energy consumption will be less. Newer air conditioners do not emit the “blast” of cold air you may be accustomed to from older units, but this is not an indication of lesser cooling capacity or efficiency. Refer to the efficiency rating (EER) and capacity rating (in Btu/h) marked on the air conditioner.
- **The air conditioner is in a heavily occupied room, or heat-producing appliances are in use in the room.** Use exhaust vent fans while cooking or bathing and try not to use heat-producing appliances during the hottest part of the day. Portable air conditioners are designed as supplemental cooling to local areas within a room. A higher capacity air conditioner may be required, depending on the size of the room being cooled.

Air conditioner runs for a short time only, but room is not cool

- **Set temperature is close to room temperature.** Lower set temperature. See “Portable Air Conditioner Use.”

Air conditioner runs, but does not cool

- **The filter is dirty or obstructed by debris.** Clean the filter.
- **Air outlet is blocked.** Clear air outlet.
- **Set temperature is too high.** Lower set temperature.

Air conditioner cycles on and off too much

- **The air conditioner is not properly sized for your room.** Check the cooling capabilities of your portable air conditioner. Portable air conditioners are designed as supplemental cooling to local areas within a room.
- **The filter is dirty or obstructed by debris.** Clean the filter.
- **There is excessive heat or moisture (open container cooking, showers, etc.) in the room.** Use a fan to exhaust heat or moisture from the room. Try not to use heat-producing appliances during the hottest part of the day.
- **The louvers are blocked.** Install the air conditioner in a location where the louvers are free from curtains, blinds, furniture, etc.

ASSISTANCE OR SERVICE

Before calling for assistance or service, please check “Troubleshooting.” It may save you the cost of a service call. If you still need help, follow the instructions below.

When calling, please know the purchase date and the complete model and serial number of your appliance. This information will help us to better respond to your request.

If you need replacement parts

If you need to order replacement parts, we recommend that you use only factory-specified replacement parts. Factory-specified replacement parts will fit right and work right because they are made with the same precision used to build every new appliance.

To locate factory-specified replacement parts in your area, call your nearest designated service center.

Please record your model's information.

Whenever you call to request service on your appliance, you need to know your complete model number and serial number.

You can find this information on the model and serial number label. The model and serial number label is located on the cabinet.

Please record the model and serial number information below. Also, record the purchase date of your appliance and the store's name, address, and telephone number.

Model Number _____

Serial Number _____

Purchase Date _____

Store Name _____

Store Address _____

Store Phone _____

Keep this book and the sales slip together for future reference.

In the U.S.A.

Call Customer Service toll free: **1-877-465-3566**

Our consultants provide assistance with:

- Features and specifications on our appliances.
- Installation information.
- Use and maintenance procedures.
- Repair parts sales.
- Referrals to repair parts distributors and service companies. Designated service technicians are trained to fulfill the product warranty and provide after-warranty service, anywhere in the United States.

For further assistance

If you need further assistance, you can write with any questions or concerns to:

Hisense USA Corp.
Customer Service
105 Satellite Blvd. NW, Suite A
Suwanee, GA 30024

Please include a daytime phone number in your correspondence.

In Canada

Call Customer Service toll free: **1-877-577-4105**

Our consultants provide assistance with:

- Features and specifications on our appliances.
- Use and maintenance procedures.
- Repair parts sales.
- Referrals to repair parts distributors and service companies. Designated service technicians are trained to fulfill the product warranty and provide after-warranty service, anywhere in Canada.

For further assistance

If you need further assistance, you can write with any questions or concerns to:

Hisense USA Corp.
c/o TransGlobal Service
11411 170 Street
Edmonton, AB
T5M 3Y6
Canada

Please include a daytime phone number in your correspondence.

SEGURIDAD DEL AIRE ACONDICIONADO

Su seguridad y la de los demás es muy importante.

En este manual y en el aparato damos muchos mensajes importantes de seguridad. Lea y siga siempre todos los mensajes de seguridad.



Este símbolo de alerta de seguridad

Este símbolo le alerta sobre peligros potenciales que pueden causarle daños o muerte a Vd y a otros.

Todos los mensajes de seguridad se mostrarán tras el símbolo de alerta o la palabra «PELIGRO» O «ATENCIÓN».

Estas palabras significan:

 **PELIGRO**

Siga las instrucciones inmediatamente para evitar graves daños o la muerte.

 **ATENCIÓN**

Siga las instrucciones para evitar graves daños o la muerte.

Todos los mensajes de seguridad le dirán qué peligro potencial hay, cómo reducir las posibilidades de daños y también qué puede pasar si no se siguen las instrucciones.

INSTRUCCIONES IMPORTANTES DE SEGURIDAD

ADVERTENCIA : Para reducir el riesgo de incendio, shock eléctrico o daños cuando use su aire acondicionado, siga estas precauciones básicas:

- Utilice un enchufe con tres tomas.
- No use un alargador.
- No quite el cable a tierra.
- Desenchufe el aire acondicionado antes de su manipulación.
- No use un adaptador.
- Instale y mueva el aire acondicionado con, al menos, dos personas.

CONSERVE ESTAS INSTRUCCIONES

ELIMINACIÓN DE LA UNIDAD

- Antes de tirar el mando a distancia, es necesario que quite las pilas y las recicle.
- Cuando tenga que tirar su aparato de aire acondicionado, consulte con su proveedor o centro de reciclaje local para tener información sobre la forma más respetuosa con el medio ambiente de eliminar el electrodoméstico.
- Por favor, vuelva a utilizar o tire en un punto de reciclaje el embalaje del aparato.

Advertencias de la Proposición 65 del estado de California:

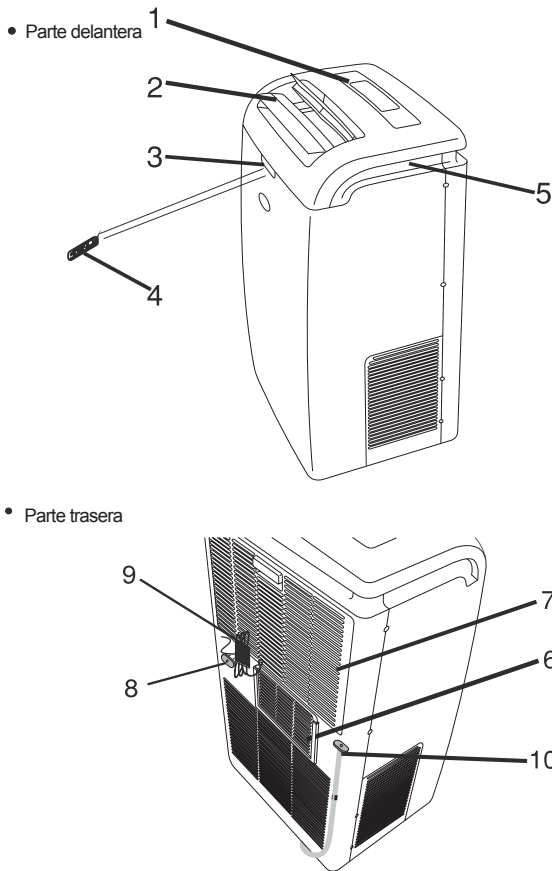
ADVERTENCIA: Este producto contiene una o más sustancias químicas identificadas por el estado de California como causantes de cáncer.

ADVERTENCIA: Este producto contiene una o más sustancias químicas identificadas por el estado de California como causantes de defectos congénitos o algún otro tipo de daños en la función reproductora.

REQUISITOS DE INSTALACIÓN

Identificación de las piezas

Piezas proporcionadas



- 1 Panel de control
- 2 Salida de aire frío
- 3 Receptor de la señal
- 4 Mando a distancia
- 5 Agarradero para su transporte
- 6 Salida de aire caliente
- 7 Toma de aire
- 8 Puerto secundario de drenaje
- 9 Conexión eléctrica
- 10 Puerto principal de drenaje

▲ Las imágenes de este manual se basan en la visión externa de un modelo estándar. Consecuentemente, la forma puede variar del modelo que haya seleccionado.

Herramientas y Piezas

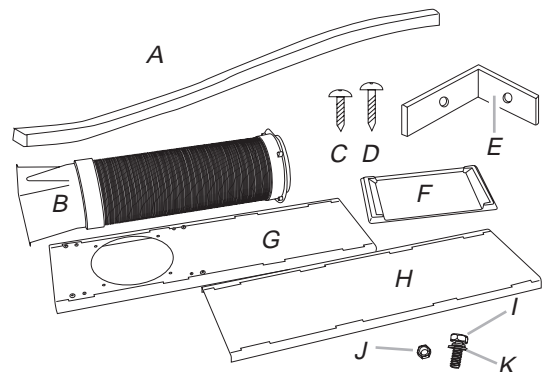
Reúna las herramientas necesarias y piezas antes de empezar la instalación. Lea y siga las instrucciones con las herramientas facilitadas aquí:

Herramientas necesarias

- Destornilladores Phillips
- Tijeras
- Sierra
- Cinta métrica
- Lápiz
- Taladro inalámbrico y 1/8"o perímetro inferior

Piezas proporcionadas

Compruebe que todas las piezas están incluidas en el embalaje.



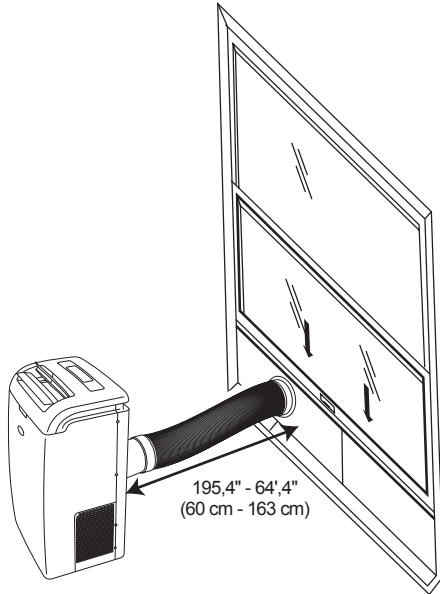
- A. Sello de espuma
- B. Tubo de salida flexible con adaptadores conectados
- C. Tornillos 1/2" (8)
- D. Tornillos 3/4" (4)
- E. Enganche para el seguro de la ventana (2)
- F. Cubierta de lluvia
- G. sección deslizante de la ventana exterior
- H. Sección deslizante de la ventana interior
- I. Tornillos (4)
- J. Tuercas (4)

Requisitos de ubicación

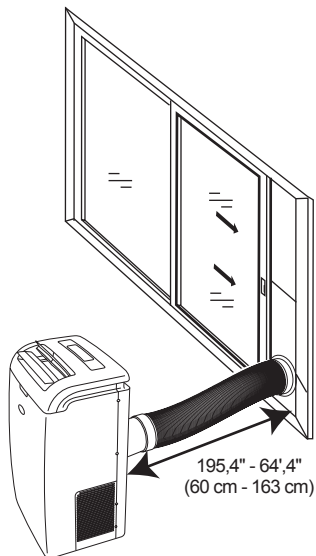
NOTAS:

- El tubo de salida flexible permite la ubicación del aire acondicionado entre 1958" y 6418" (60 cm y 163 cm) de distancia de la puerta o ventana.
- Los aires acondicionados portátiles están diseñados para enfriar una zona dentro de una habitación.

Ventana corredera vertical



Ventana corredera horizontal



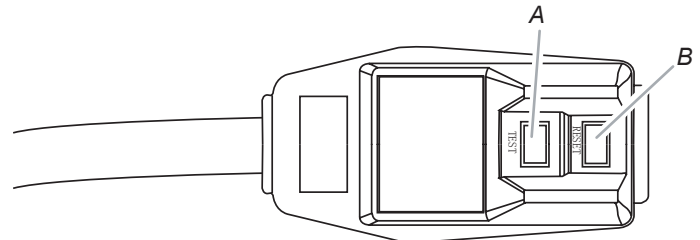
- Para asegurar la ventilación necesaria, mantenga una distancia del aparato y la pared de al menos 1958" (60 cm).
- No bloquee la salida de aire.
- Tenga cerca un enchufe con tres tomas.

Requisitos eléctricos

- El aire acondicionado portátil debe conectarse a 115V 60Hz, un enchufe de 15 amp con tres tomas.
- Se recomienda el uso de un fusible o interruptor con tiempo de retardo.
- Todo el cableado debe cumplir con las normas vigentes y debe ser instalado por un electricista cualificado. Si tiene alguna duda, contacte con un electricista cualificado.

Cable eléctrico

NOTA: Su aparato de aire acondicionado puede ser distinto del que se muestra.



A. Botón de prueba
B. Botón de reinicio

Este equipo de aire acondicionado trae un cable eléctrico aprobado por UL. Equipado con un equipo electrónico de última generación, contiene un sensor de falta de corriente. Si se pisa o aplasta el cable, se activa el sensor y el suministro electrónico se suspende en una fracción de segundo.

⚠ ATENCIÓN



Riesgos de descarga eléctrica

Utilice un enchufe con tres tomas. No quite el cable a tierra.

No use un adaptador.

No use un alargador.

No seguir estas instrucciones puede provocar la muerte, incendio o descarga eléctrica.

2. Pulse RESET (en algunos aparatos, se enciende una luz verde).
3. Pulse TEST (oírás un clic, el botón de reinicio se dispara y en algunos dispositivos se apaga una luz verde).
4. Pulse y suelte RESET (oírás un clic, el botón de reinicio se asegura y en algunos dispositivos se enciende una luz verde). El cable eléctrico está listo para su funcionamiento.

NOTAS:

- Se debe pulsar el botón de reinicio para operar de forma segura.
- Debe reemplazarse el cable si no se dispara cuando se pulsa el botón de prueba o no puede reiniciarse.
- No use el cable como botón de encendido y apagado.
- Un cable dañado debe reemplazarse con uno nuevo de un fabricante y no debe ser reparado.
- El cable eléctrico con tiene piezas intercambiables. Al abrir la caja del cable eléctrico, perderá la garantía o reclamaciones por mal funcionamiento.

Para probar su cable eléctrico

1. Utilice un enchufe con tres tomas.

INSTRUCCIONES DE INSTALACIÓN

Desembale el aire acondicionado

⚠ ATENCIÓN

Problemas por exceso de peso

Instale y mueva el aire acondicionado con, al menos, dos personas.

Si no lo hace, puede sufrir daños en la espalda u otras molestias.

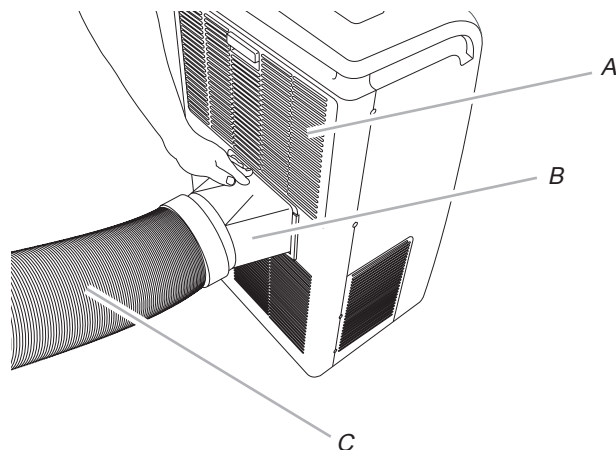
Desembale el aire acondicionado.

- Retire el material de embalaje y tírelo o recíclalo. Quite la cinta adhesiva y el pegamento de la superficie del dispositivo antes de ponerlo en funcionamiento. Frote el adhesivo con sus dedos untados con un poco de lavavajillas. Aclárelo con agua templada y séquelo.
- No use instrumentos afilados, alcohol, fluidos inflamables, o limpiadores abrasivos para eliminar el celo o el pegamento. Ya que estos productos pueden dañar la superficie del aire acondicionado.

Instalación del aire acondicionado portátil

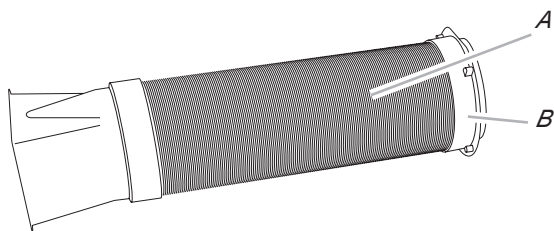
Instalación del tubo flexible y adaptador

1. Ruede el aire acondicionado hasta la ubicación elegida. Lea «Requisitos de ubicación»
2. Inserte el tubo adaptador en el hueco en la parte de atrás del aire acondicionado.
3. Deslícelo hacia abajo para asegurar el tubo en su lugar



A. Toma de aire
B. Adaptador del tubo
C. Tubo de salida flexible

4. Ajuste el adaptador de ventana al tubo tubo. Gire en el sentido de agujas del reloj hasta que esté asegurado en su lugar.

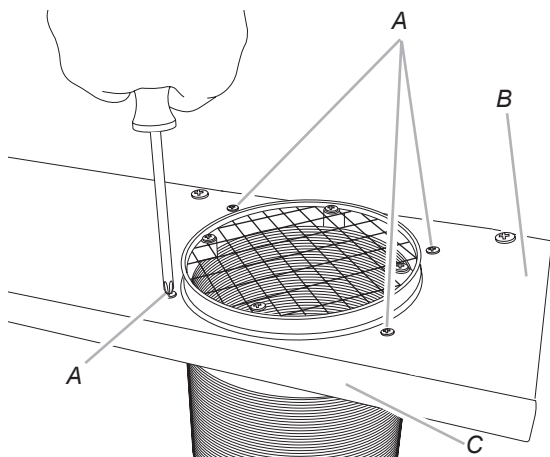


A. Tubo de salida flexible
B. Adaptador del tubo para ventana

Instalación en la ventana

El kit para ventanas correderas ha sido diseñado para ajustarse a la mayoría de ventanas verticales y horizontales. Sin embargo, puede que necesite modificar algunos aspectos de la instalación para ciertos tipos de ventana.

1. Inserte el adaptador del tubo a la ventana en el kit de ventana corredera.
2. Con cuatro tornillos (incluidos), ajuste el adaptador al kit.



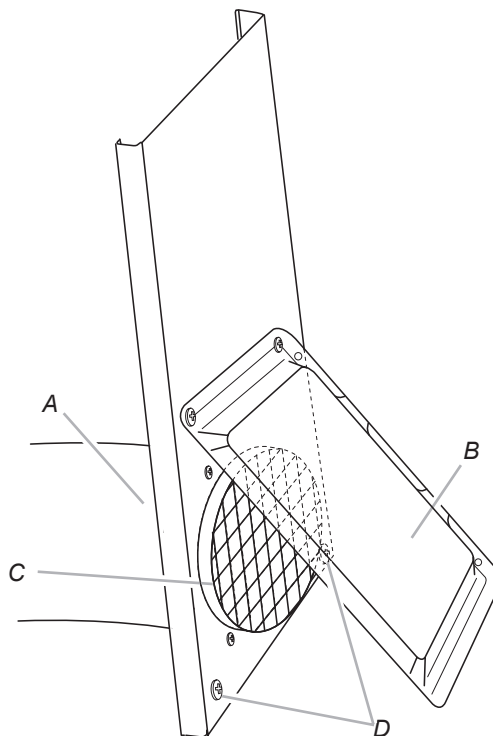
A. Ubicación de los tornillos
B. Kit de ventana corredera
C. Adaptador del tubo para ventana

3. Use dos tornillos, tuercas y arandelas (incluidas), junte la cubierta de lluvia al kit para instalación vertical u horizontal.

NOTAS:

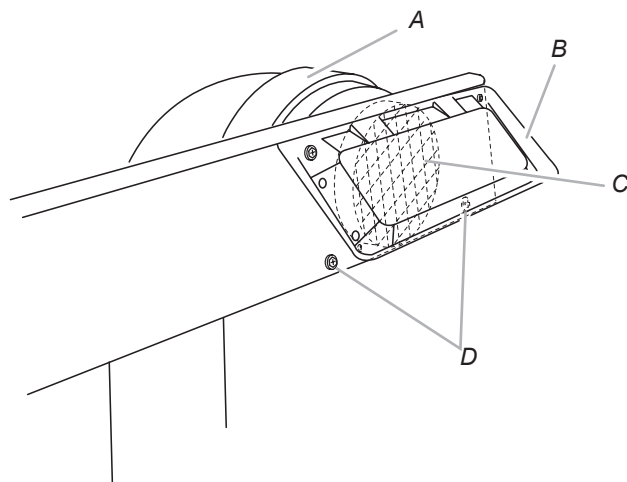
- Los huecos en el kit de ventana corredera están situados para su instalación vertical u horizontal.
- Inserte los tornillos arandelas y tuercas restantes en los huecos sin usar en el kit de ventana corredera para evitar la entrada de agua.

Cubierta de lluvia—Instalación vertical



A. Adaptador del tubo para ventana
B. Cubierta de lluvia
C. Rejilla de salida
D. Tornillos introducidos en agujeros no usados. no usados del kit de ventana deslizante

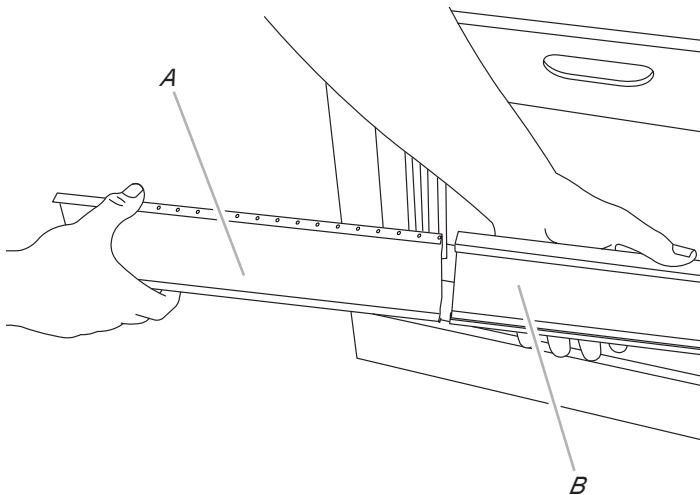
Cubierta de lluvia - Instalación horizontal



A. Adaptador del tubo para ventana
B. Cubierta de lluvia
C. Rejilla de salida
D. Tornillos introducidos en agujeros no usados. no usados del kit de ventana deslizante

4. Abra la ventana
5. Mida la abertura de la ventana

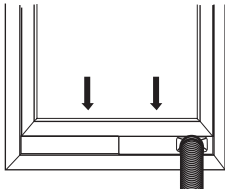
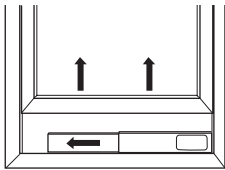
- Si la abertura de la ventana es demasiado estrecha para el kit, quite la sección deslizante interior del kit.



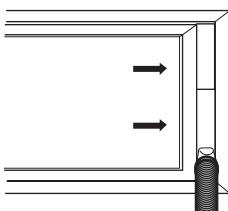
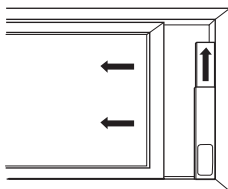
A. Sección deslizante de la ventana interior
B. Sección deslizante de la ventana exterior

- Con una sierra, corte la sección deslizante interior para ajustarla a la abertura de la
- Deslice la sección interior en la sección exterior del kit de ventana corredera.

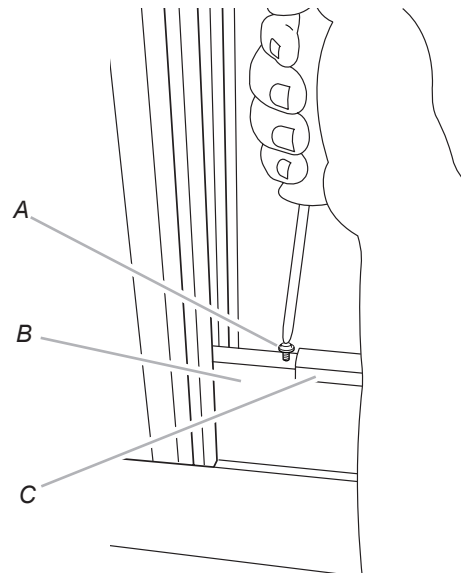
6. Inserte el kit en la ventana y extiéndalo para que se ajuste al ancho de la ventana. Asegúrese de que la cubierta de lluvia está en la parte exterior de la ventana.



NOTA: Para la instalación con el marco de la ventana, el kit se puede instalar verticalmente con la abertura abajo.

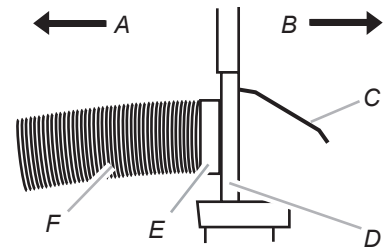


7. Inserte un tornillo 1/2" (incluido) en el agujero de la sección interior más cercana a la sección exterior.



A. Tornillo 1/2" (incluido)
B. Sección deslizante de la ventana interior
C. Sección deslizante de la ventana exterior

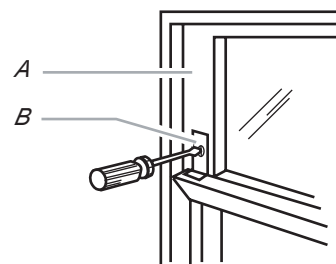
8. Cierre la ventana con el kit instalado para asegurarlo.



A. al aire acondicionado portátil
B. Exterior
C. Cubierta de lluvia
D. Kit de ventana corredera
E. Adaptador del tubo para ventana
F. Tubo de salida flexible

Instalación completa

1. Fije el tope de la ventana en la parte superior de la hoja inferior y la parte inferior de la hoja superior.
2. Use el destornillador 1/8" para hacer una cavidad en el tope.
3. Asegure el tope al marco de la ventana con el tornillo 3/4" para asegurar la posición de la ventana.



A. Marco de la ventana, parte superior
B. Tope de la ventana

- Introduzca el sello de espuma entre la parte trasera del marco de la hoja inferior y el cristal de la superior.



A. Parte superior del marco de la hoja inferior.
B. Sello de espuma

⚠ ATENCIÓN



Riesgos de descarga eléctrica

- Utilice un enchufe con tres tomas. No quite el cable a tierra.
- No use un adaptador.
- No use un alargador.
- No seguir estas instrucciones puede provocar la muerte, incendio o descarga eléctrica.

- Utilice un enchufe con tres tomas.
- Pulse RESET en el cable de conexión eléctrica Lea «requisitos eléctricos»

USO DEL AIRE ACONDICIONADO PORTÁTIL

Usar su aire acondicionado portátil adecuadamente le permitirá obtener los mejores resultados. Esta sección explica el uso adecuado del aire acondicionado portátil.

IMPORTANTE :

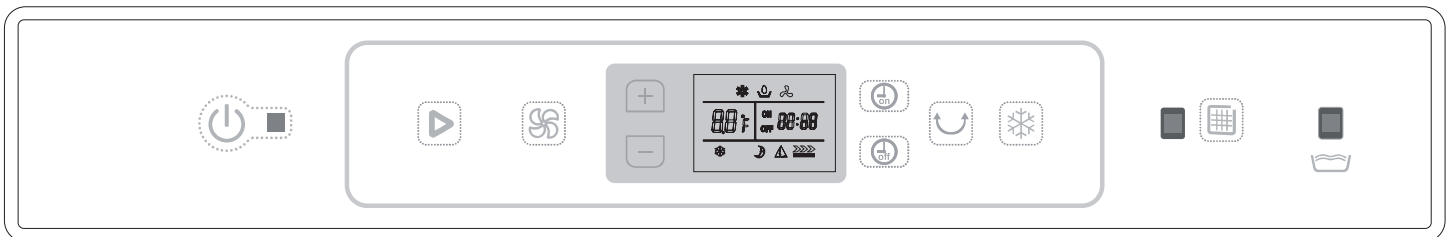
- La pantalla del aire acondicionado muestra la temperatura actual de la habitación y un reloj de 24h.
- Durante el funcionamiento del aire acondicionado, cuando se cambia el modo, el compresor se detiene durante tres o cinco minutos antes de volver a empezar.

Si durante este tiempo se pulsa un botón, el compresor tardará otros tres o cinco minutos en empezar.

- En los modos Cooling (enfriar) y Dry (deshumidificar), el compresor y el ventilador del condensador se pararán cuando la habitación alcance la temperatura establecida.

NOTA: Si se interrumpe la corriente durante su funcionamiento, el aire acondicionado volverá a funcionar con los ajustes establecidos cuando se restaure la corriente.

Primer uso de su aire acondicionado portátil



- Seleccione el modo. Véase «modo»:
- Seleccione la velocidad del ventilador. Véase «velocidad del ventilador».
- Establezca una temperatura. Véase «temperatura».
- Pulse ON / OFF (encendido / apagado) para encender el aire acondicionado.

- Quando se enciende una luz roja con el símbolo de lleno de agua, el aire acondicionado se parará automáticamente. Véase «Cuidado del aire acondicionado» para indicaciones sobre cómo vaciar el agua de la unidad.



Apagado/Encendido



lleno de agua

NOTA: Cuando el aire acondicionado se pone en marcha por primera vez, funcionará con el programa 6th Sense® System. En sucesivos funcionamientos, seguirá el programa establecido anteriormente. 6th Sense® System puede seleccionarse sólo por control remoto.

Modo

1. Pulse MODO repetidamente hasta que vea iluminado el símbolo del programa elegido.



Modo

2. Elija Cooling (enfriar), Dry (secar) o Fan Only (sólo ventilador).

- Cooling—Enfría la habitación. Pulse FAN SPEED (velocidad de ventilador) para seleccionar Auto, High, Mid o Low (baja). Pulse arriba o abajo el botón de ajuste para establecer la temperatura.



- Dry—Seca la habitación. El aire acondicionado automáticamente selecciona la temperatura. El ventilador funciona sólo en velocidad lenta.
NOTA: El modo Dry (deshumidificador) no debe usarse para enfriar la habitación.



- Fan Only (Sólo Ventilador)— Sólo funciona el ventilador. Pulse FAN SPEED (velocidad de ventilador) para seleccionar Auto, High, Mid o Low.



NOTA: La velocidad auto no puede seleccionarse en el modo Sólo Ventilador.

Control RAPIDCOOL™

Se usa para enfriar rápidamente. El aire acondicionado establece automáticamente la velocidad del ventilador en alta y la temperatura en 64°F (18°C).

1. Pulse el control RAPIDCOOL™. El aire acondicionado establece automáticamente la velocidad del ventilador en alta y la temperatura en 64°F (18°C).



RapidCool

2. Para apagar RapidCool™, pulse cualquier botón en el control remoto o en el panel de control excepto Timer On, Timer Off y Swing.

Velocidad del ventilador

1. Pulse FAN SPEED repetidamente para elegir la velocidad deseada.



Velocidad del ventilador

2. Elija Auto, High, Mid o Low.

- Auto - controla automáticamente la velocidad del ventilador, dependiendo de la temperatura actual de la habitación y la temperatura establecida.

NOTA: La velocidad auto no puede seleccionarse en el modo Sólo Ventilador.



- High (alta) para enfriar mucho la habitación



- Mid—para enfriamiento normal



- Low - para enfriamiento moderado.



Filter Reset

1. Cuando se encienda la luz del filtro, quite, limpie y reemplace el filtro del aire. Véase «Limpiar los filtros de aire».
2. Mantenga pulsado FILTER RESET por tres segundos después de reemplazar el filtro.



Filter Reset (reinicio)

NOTA: Tras 360 horas de funcionamiento, la luz del filtro se encenderá. Seguirá encendida durante 180 horas o hasta que pulse FILTER RESET. Tras las 180 horas, la luz del filtro se apagará automáticamente.

Temperatura

- Pulse + en el botón de ajuste para subir la temperatura. Pulse una vez para aumentarla 2°F (1°C), o púlsela dos veces para aumentarla 4°F (2°C).



- Pulse - en el botón de ajuste para bajar la temperatura. Pulse una vez para bajarla 2°F (1°C), o púlsela dos veces para bajarla 4°F (2°C).



NOTAS:

- En el modo Cooling (enfriar), se puede establecer la temperatura entre 64°F y 90°F (18°C y 32°C).
- En el modo sólo ventilador, no se puede ajustar la temperatura.

- Para cambiar de °F a °C, pulse simultáneamente + y -.



Reloj

1. Para poner en hora el reloj, pulse simultáneamente TIMER ON y TIMER OFF.
2. Pulse + o - del botón de ajuste para establecer la hora. Pulse el botón de ajuste una vez para cambiar la hora en incrementos de un minuto. Pulse y mantenga pulsado el botón de ajuste por varios segundos para cambiar la hora con incrementos de diez minutos. Pulse y mantenga pulsado el botón de ajuste durante más tiempo para cambiar la hora en incrementos de una hora.
3. Pulse TIMER ON y TIMER OFF simultáneamente otra vez. La hora establecida se mostrará en pantalla.

NOTA: La hora se mostrará en formato 24 horas.

Programar el apagado

Puede programar el apagado del aire acondicionado desde un minuto a 24 horas (debe estar encendido):

1. Pulse TIMER ON. «OFF: 12:00» parpadeará en el panel de control.



2. Pulse + o - en el botón de ajuste para cambiar la hora de un minuto a 24 horas. Pulse el botón de ajuste una vez para cambiar la hora en incrementos de un minuto. Pulse y mantenga pulsado el botón de ajuste por varios segundos para cambiar la hora con incrementos de diez minutos. Pulse y mantenga pulsado el botón de ajuste durante más tiempo para cambiar la hora en incrementos de una hora.
3. Pulse TIMER OFF otra vez. Se encenderá «Off» y se mantendrá la hora establecida.
4. Tras cinco segundos, el panel de control mostrará la hora actual.

Programar el encendido, manteniendo los ajustes anteriores:

1. Apague el aire acondicionado.
2. Pulse TIMER ON. "ON 12:00" parpadeará en el panel de control.



3. Pulse + o - en el botón de ajuste para cambiar la hora de un minuto a 24 horas. Pulse el botón de ajuste una vez para cambiar la hora en incrementos de un minuto. Pulse y mantenga pulsado el botón de ajuste por varios segundos para cambiar la hora con incrementos de diez minutos. Pulse y mantenga pulsado el botón de ajuste durante más tiempo para cambiar la hora en incrementos de una hora.
4. Pulse otra vez TIMER ON. Se ilumina ON y la hora establecida se mantiene.
5. Tras cinco segundos, el panel de control mostrará la hora actual.

Programar el encendido, sin mantener los ajustes anteriores:

1. Apague el aire acondicionado.
2. Ajuste el modo Cooling, Dry o Fan Only.
3. Ajuste la velocidad del ventilador a Auto, High, Mid o Low.

NOTA: La velocidad auto no puede seleccionarse en el modo Sólo Ventilador.

4. Ajuste la temperatura entre 64°F y 90°F (18°C y 32°C).

NOTA: En el modo sólo ventilador y secado, no se puede ajustar la temperatura.

5. Pulse TIMER ON. "ON 12:00" parpadeará en el panel de control.
6. Pulse + o - en el botón de ajuste para cambiar la hora de un minuto a 24 horas. Pulse el botón de ajuste una vez para cambiar la hora en incrementos de un minuto. Mantenga pulsado el botón de ajuste por varios segundos para cambiar la hora con incrementos de diez minutos. Mantenga pulsado el botón de ajuste durante más tiempo para cambiar la hora en incrementos de una hora.
7. Pulse otra vez TIMER ON. Se ilumina ON y la hora establecida se mantiene.
8. Tras cinco segundos, el panel de control mostrará la hora actual.

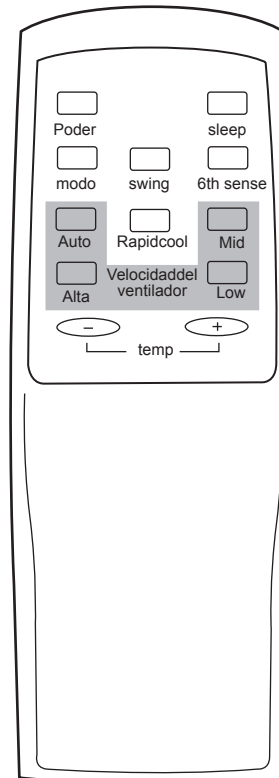
Para quitar la programación de encendido o apagado:

NOTA: El aire acondicionado puede estar encendido o apagado.

1. Pulse TIMER OFF otra vez para borrar la programación de apagado. La luz de indicador del tiempo se apaga.
2. Pulse otra vez TIMER ON para borrar la programación de encendido. La luz de indicador del tiempo se apaga.

Uso del mando a distancia

NOTA: La forma y aspecto del mando a distancia puede variar.



NOTAS:

- Para su funcionamiento necesita dos pilas AA (incluidas). Cambie las pilas después de 6 meses de uso y cuando el mando pierda potencia.
- Para manejar el aire acondicionado con el mando, mantenga éste a menos de 23 pies (7 metros) de distancia.

Encender o Apagar

Pulse, POWER



Power

Modo

1. Pulse MODO repetidamente hasta que vea iluminado el símbolo del programa elegido.



Modo

2. Ajuste el modo Cooling (Enfriar), Dry (Secar) o Fan Only (Sólo ventilador).
 - Cooling—Enfría la habitación. Pulse Auto, High, Mid o Low para seleccionar la velocidad del ventilador. Pulse + o - en el botón de TEMP para establecer la temperatura.



- Dry—Seca la habitación. El aire acondicionado selecciona la temperatura. El ventilador funciona sólo en velocidad lenta.
NOTA: El modo Dry (seco) no debe usarse para enfriar la habitación.



- Fan Only (Sólo Ventilador)—Sólo funciona el ventilador. Pulse High, Mid o Low.



NOTA: La velocidad auto no puede seleccionarse en el modo Sólo Ventilador.

6th Sense® System Control

El aire acondicionado establece automáticamente el modo enfriar o secar, dependiendo de la temperatura de la habitación y la ajusta a 79°F (26°C).

- La temperatura puede ajustarse de 75°F (24°C) hasta 83°F (28°C). Pulse una vez + o - en el botón de TEMP para cambiar la temperatura 2°F (1°C) o dos veces para cambiarla 4°F (2°C).



- Si la temperatura de la habitación está por debajo de los 73°F (23°C), el modo solo ventilador se selecciona automáticamente. Ajuste la velocidad del ventilador a Auto, High, Mid o Low.

NOTA: La velocidad auto no puede seleccionarse en el modo Sólo Ventilador.

- Si la temperatura de la habitación está entre los 73°F (23°C) y los 79°F (26°C), el modo Secado y auto ventilador se selecciona automáticamente.

- Si la temperatura de la habitación es más alta de los 79°F (26°C), el modo Enfriamiento y auto ventilador se selecciona automáticamente.

1. Pulse 6th Sense® system control.



6th Sense®

2. En modo Sólo Ventilador, pulse HIGH, MID o LOW.

NOTA: La velocidad auto no puede seleccionarse en el modo Sólo Ventilador.

Control RAPIDCOOL™ .

Se usa para enfriar rápidamente. El aire acondicionado establece automáticamente la velocidad del ventilador en alta y la temperatura en 64°F (18°C).

1. Pulse el control RAPIDCOOL™ . El aire acondicionado establece automáticamente la velocidad del ventilador en alta y la temperatura en 64°F (18°C).

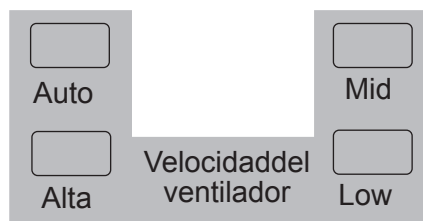


RapidCool

2. Para apagar RapidCool™, pulse cualquier botón en el control remoto o en el panel de control excepto Timer On, Timer Off y Swing.

Velocidad del ventilador

1. Escoja la velocidad del ventilador deseada.



2. Pulse Auto, High, Mid o Low.

- Auto - controla automáticamente la velocidad del ventilador, dependiendo de la temperatura actual de la habitación y la temperatura establecida.

NOTA: La velocidad auto no puede seleccionarse en el modo Sólo Ventilador.



- Mid—para enfriamiento normal



- Mid—para enfriamiento normal



- Low - para enfriamiento moderado.

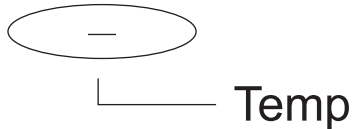


Temperatura

- Pulse + en el botón de ajuste para subir la temperatura. Pulse una vez para aumentarla 2°F (1°C), o púlsela dos veces para aumentarla 4°F (2°C).



- Pulse - en el botón de ajuste para bajar la temperatura. Pulse una vez para bajarla 2°F (1°C), o púlsela dos veces para bajarla 4°F (2°C).



NOTAS:

- En el modo Cooling (enfriar), se puede establecer la temperatura entre 64°F y 90°F (18°C y 32°C).
- En sólo ventilador, modo nocturno y 6th Sense ® System Control no se puede ajustar la temperatura.

Modo nocturno

La velocidad del ventilador se ajusta automáticamente en baja, y el panel de control se ilumina tenuamente.

NOTAS:

- Si la temperatura de la habitación es 79°F (26°C) o más alta, la temperatura establecida no cambiará con el modo nocturno.



- Si la temperatura de la habitación es menor de 79°F (26°C), la temperatura aumentará automáticamente 2°F (1°C) durante la primera hora de modo nocturno.
- La temperatura no aumentará durante las últimas 7 horas de modo nocturno.

1. Pulse Modo para seleccionar Cooling o Dry.

NOTA: El modo nocturno no puede seleccionarse con la función solo ventilador.

2. Pulse + o - en el botón de TEMP para establecer la temperatura.
3. Pulse SLEEP. Tras cinco segundos, las luces del panel de control se atenuarán.

NOTA: En modo nocturno se puede ajustar el modo, la temperatura y la dirección del aire. La velocidad del ventilador se establece automáticamente en baja. Tras cinco segundos, las luces del panel de control se atenuarán otra vez.



Sleep

4. Para apagar el modo nocturno, pulse SLEEP, MODE, POWER o espere ocho horas a que se apague automáticamente.

NOTA: El aparato volverá a sus ajustes anteriores una vez que termine el modo nocturno.

Cambiar la dirección del aire

En el mando a distancia o en el panel de control

Pulse SWING una vez para cambiar la dirección del aire. Pulse otra vez para parar la rotación del aire a la posición deseada.



Swing

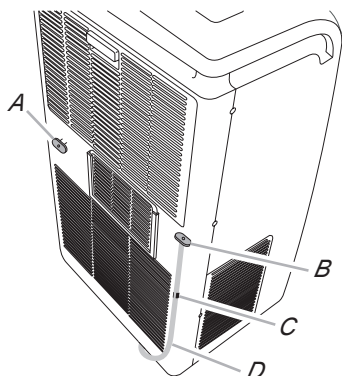
Sonidos normales

Cuando el aparato funciona con normalidad, puede oír ruidos como:

- Movimiento de aire en el ventilador.
- Clicks del termostato.
- Vibraciones o ruidos por la ventana o la pared.
- Un zumbido o ruido pulsante causado por el compresor al encenderse y apagarse.

CUIDADO DEL AIRE ACONDICIONADO PORTÁTIL

Drenaje del aire acondicionado



A .Puerto de drenaje secundario D .Puerto de drenaje principal
B . Tapón de drenaje C .Clip del tubo de drenaje

⚠ ATENCIÓN

Problemas por exceso de peso

Instale y mueva el aire acondicionado con, al menos, dos personas.

Si no lo hace, puede sufrir daños en la espalda u otras molestias.

Drenaje continuo

Este modelo tiene un diseño único de auto drenaje. No necesita drenar la unidad en circunstancias normales. Si funciona en un ambiente con mucha humedad, la luz del agua parpadeará y tendrá que drenar la unidad una vez. Si la luz se mantiene parpadearando frecuentemente, drene el aparato con asiduidad.

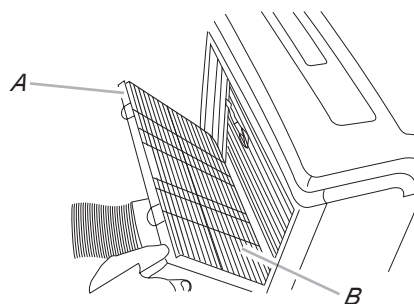
1. Saque el manguito de drenaje del clip.
2. Ponga el manguito en un recipiente poco profundo.
3. Quite el tapón

Drene antes de moverlo o guardarlo

Puede que haya una pequeña cantidad de agua en el aire acondicionado, por lo que debe drenarlo antes de moverlo o guardarlo.

1. Pulse ON / OFF para apagar el aire acondicionado.
2. Desenchufe el aire acondicionado o desconecte la corriente.
3. Mueva el aparato al exterior o un lugar para su drenaje.
NOTA: Para evitar que salpique agua del cubo, mueva el aparato lentamente y manténgalo nivelado.
4. Quite el puerto secundario y drene completamente.
5. Saque el manguito de drenaje del clip.
6. Quite el tapón y drene completamente.
NOTA: Si va a guardar el aparato tras su uso, lea «Guardar tras su uso».
7. Vuelva a colocar el puerto secundario de drenaje.
8. Vuelva a colocar el manguito en el puerto principal de drenaje.
9. Coloque el clip en el manguito.
10. Reubique el aire acondicionado.
11. Enchúfelo o reestablezca la corriente.
12. Pulse ON / OFF (encendido / apagado) para encender el aire acondicionado.

Limpiar los filtros de aire



A .Puerta del panel del filtro
B .Filtro de aire

1. Pulse ON / OFF para apagar el aire acondicionado.
2. Abra la puerta del panel del filtro en la parte posterior del aparato y sáquelo.
3. Saque el filtro de aire.
4. Use un aspirador, para limpiar el filtro. Si el filtro está muy sucio, lávelo en agua templada con un detergente suave.
NOTA: No lave el filtro en el lavavajillas o use limpiadores químicos.
5. Séquelo completamente antes de volverlo a instalar para asegurar su máxima eficiencia.
6. Vuelva a ajustar el filtro.
7. Cierre la puerta.
8. Pulse ON / OFF para encender el aire acondicionado.

Limpiar el exterior

1. Pulse ON / OFF para apagar el aire acondicionado.
2. Desenchufe el aire acondicionado o desconecte la corriente.
3. Quite el filtro y límpielo separadamente. Léase limpiar el Filtro de Aire.
4. Limpie la parte exterior del aparato con un paño suave humedecido.
5. Enchúfelo o reestablezca la corriente.
6. Pulse ON / OFF para encender el aire acondicionado.

Guardarlo tras su uso

1. Drene el agua del aparato completamente. Véase «Drenaje del aire acondicionado».
2. Ponga en marcha el aparato en Sólo Ventilador durante 12 horas para deshumedecer el dispositivo.
3. Desenchufe el aire acondicionado.
4. Quite el tubo de salida de aire y guárdelo con el aparato en una zona limpia y seca. Véase «Instrucciones de instalación».
5. Retire el kit de la ventana y guárdelo con el aparato en una zona limpia y seca. Véase «Instrucciones de instalación».
6. Quite el filtro y límpielo. Véase «Limpiar los filtros de aire».
7. Limpie la parte exterior del aparato. Véase «Limpiar el exterior».
8. Reinstale el filtro.
9. Quite las pilas y guarde el mando a distancia con el aparato en una zona limpia y seca.

PROBLEMAS

Antes de llamar al servicio técnico, intente las sugerencias de aquí abajo para intentar resolver su problema sin ayuda externa.

El aire acondicionado no funciona

⚠ ATENCIÓN



Riesgos de descarga eléctrica

- Utilice un enchufe con tres tomas.
- No quite el cable a tierra.
- No use un adaptador.
- No use un alargador.
- No seguir estas instrucciones puede provocar la muerte, incendio o descarga eléctrica.

- El aparato no está enchufado. Utilice un enchufe con tres tomas. Lea «requisitos eléctricos»
- Usa un fusible o corriente con una capacidad errónea. Reemplácelos por unos con la capacidad adecuada. Lea «requisitos eléctricos»
- El cable eléctrico ha saltado (el botón de reinicio ha saltado). Pulse RESET (oírás un clic, el botón de reinicio se asegurará para continuar funcionando).
- El fusible o el circuito eléctrico de la casa ha saltado. Reemplace el fusible o reinicie el circuito. Lea «requisitos eléctricos»
- El botón On/Off no se ha pulsado. Pulse On/Off
- La corriente eléctrica local se ha caído. Espere a que se reestablezca la corriente.

El aire acondicionado hace que salten los fusibles

- Hay demasiados aparatos eléctricos en el mismo circuito. Desenchufe o reubique los aparatos eléctricos que comparten circuito.
- Intenta reiniciar el aire acondicionado demasiado pronto después de apagarlo. Espere al menos tres minutos tras apagar el aire acondicionado antes de volver a reiniciarlo.
- Ha cambiado los modos. Espere al menos tres minutos tras apagar el aire acondicionado antes de volver a reiniciarlo.

El cable del aire acondicionado salta (el botón de reinicio salta)

- Cambios en la corriente eléctrica pueden provocar que salte el suministro. Pulse RESET (oírás un clic, el botón de reinicio se asegurará) para continuar funcionando.

- Exceso de aparatos conectados, sobrecalentamiento, un pellizco en el cable o la edad del aparato pueden provocar que salte la corriente en el cable. Después de corregir el problema, pulse RESET (oírás un clic, el botón de reinicio se asegurará) para continuar funcionando. Si el cableado sigue saltando, contacte con el servicio técnico.

NOTA: Un cable dañado debe reemplazarse con uno nuevo de un fabricante y no debe ser reparado.

El aire acondicionado está funcionando demasiado

- Hay alguna ventana o puerta abierta? Mantenga las ventanas y las puertas cerradas.
- El aparato actual reemplaza a uno antiguo. El uso de componentes más eficientes puede provocar que el aire acondicionado funcione más tiempo que el antiguo modelo, pero que el consumo eléctrico total sea menor. Los nuevos aires acondicionados no sueltan la «explosión» de aire frío a la que puede estar acostumbrado, pero no es indicativo de menor capacidad o eficiencia. Diríjase al nivel de eficiencia (EER) y de capacidad (en Btu/h) marcados en el aparato.
- El aire acondicionado se encuentra en una habitación muy saturada o con aplicaciones productoras de calor. Use ventiladores cuando cocine o se bañe e intente no utilizar aplicaciones productoras de calor durante las horas más calurosas del día. Los aires acondicionados portátiles están diseñados para enfriar una zona dentro de una habitación. Puede necesitar un aire acondicionado de mayor capacidad, dependiendo del tamaño de la sala.

El aire acondicionado está en marcha poco tiempo, pero la habitación no está fría.

- Fijar la temperatura cercana a la temperatura ambiente. Baja temperatura programada. Consulte "Uso Aire acondicionado portátil".

El acondicionador de aire funciona pero no enfría

- El filtro está sucio u obstruido. Limpie el filtro.
- La entrada de aire está bloqueada. Limpie la entrada de aire.
- La temperatura establecida es muy alta. Establezca una temperatura inferior.

El aire acondicionado se enciende y apaga demasiado.

- El aire acondicionado no tiene la capacidad adecuada para su habitación. Compruebe la capacidad de su aparato. Los aires acondicionados portátiles están diseñados para enfriar una zona dentro de una habitación.
- El filtro está sucio u obstruido. Limpie el filtro.
- Hay excesiva humedad (por cocina, duchas, etc.) en la habitación. Use un ventilador, para disipar la humedad de la sala. Intente no utilizar aplicaciones productoras de calor durante las horas más calurosas del día.
- Las lamas están bloqueadas. Instale el aire acondicionado en una ubicación donde las lamas no estén bloqueadas por cortinas, muebles, etc.

ASISTENCIA O SERVICIO

Antes de llamar al servicio técnico, por favor lea «problemas». Puede ahorrarle el coste de la llamada. Si aún necesita ayuda, siga las siguientes instrucciones.

Cuando llame, tenga a mano la fecha de compra, modelo y número de serie de su aparato. Esta información nos ayudará a responder mejor a su consulta.

Si necesita piezas de recambio

Si necesita piezas de recambio, le recomendamos que use exclusivamente las del fabricante. Las piezas de recambio del fabricante se ajustarán mejor y funcionarán mejor, porque se hacen con la misma precisión que cualquier aparato nuevo. Para localizar piezas de repuesto en su zona, llame al servicio técnico más cercano.

Por favor, guarde la información de su modelo.

Cuando llame al servicio técnico de su aparato, necesita saber el número completo de modelo y número de serie.

Puede encontrar esta información en la etiqueta. La etiqueta está pegada en el aparato.

Por favor, escriba el modelo y número de serie a continuación. También escriba la fecha de compra y el nombre, dirección y teléfono de la tienda.

Modelo número: _____

Número de serie: _____

Fecha de compra: _____

Nombre de la tienda: _____

Dirección: _____

Teléfono: _____

Guarde este libro y ticket de compra juntos para futuras referencias.

En Estados Unido

Llame gratuitamente a atención al cliente: 1-877-465-3566

Nuestros asesores le ayudarán en:

- Características y especificaciones de nuestros dispositivos.
- Información de instalación.
- Procedimientos de uso y mantenimiento.
- Venta de piezas de recambio.
- Dirijase a distribuidores y empresas de servicios para piezas de recambio.

Los técnicos del servicio técnico tienen formación para el manejo de su producto durante y después de la garantía en cualquier lugar de Estados Unidos.

Para mayor información

Si necesita más información, puede escribir sus dudas o preguntas a:

Hisense USA Corp.

Servicio de atención al cliente

105 Satellite Blvd. NW, Suite A

Suwanee, GA 30024

Por favor, incluya un nº de tel de contacto durante el día en su correspondencia.

En Canadá

Llame gratuitamente a atención al cliente: 1-877-577-4105

Nuestros asesores le ayudarán en:

- Características y especificaciones de nuestros dispositivos.
- Procedimientos de uso y mantenimiento.
- Venta de piezas de recambio.
- Dirijase a distribuidores y empresas de servicios para piezas de recambio.

Los técnicos del servicio técnico tienen formación para el manejo de su producto durante y después de la garantía en cualquier lugar de Canadá.

Para mayor información

Si necesita más información, puede escribir sus dudas o preguntas a:

Hisense USA Corp.

c/o TransGlobal Service 11411 170 Street

Edmonton, AB

T5M 3Y6

Canadá

Por favor, incluya un número de teléfono de contacto durante el día en su correspondencia.