

#### Dimensions (millimetres)

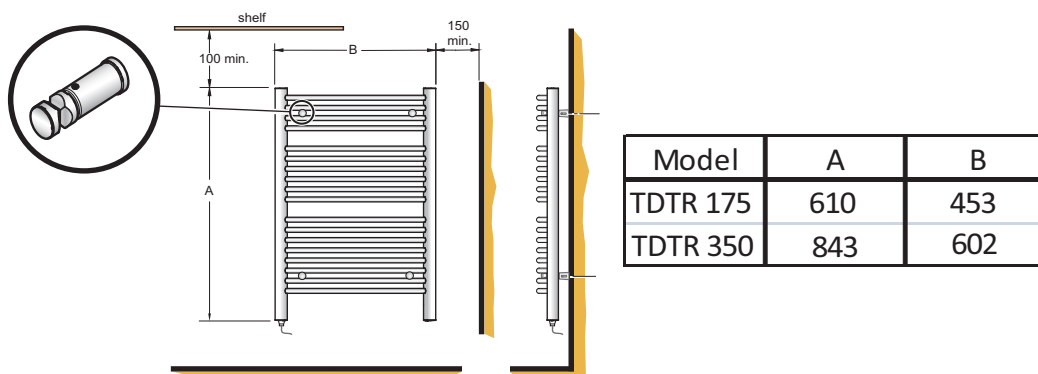


Fig. 1

**IMPORTANT : THESE INSTRUCTIONS SHOULD BE READ CAREFULLY AND RETAINED FOR FUTURE REFERENCE**

Table 1

Model	Rails	Watts	Weight (kg)
TDTR 175C	12	120	6
TDTR 175W	12	175	6
TDTR 350C	18	250	11
TDTR 350W	18	350	11

a sole heating service, but the larger model will take the chill off an average size bathroom, lavatory or en suite. Your rail will be in one of two sizes and will have either silver chromium plated or white stove-enamel finish.

No routine maintenance is necessary apart from occasional cleaning. Both models are splashproof to IPX5 standard.

#### Important Safety Advice

**WARNING - THE SURFACE OF THIS RADIATOR CAN BE HOT.**

In order to be effective the towel rail will get hot, however momentary contact with any part of it should not cause injury.

The heater is to be installed so that switches and other controls cannot be touched by a person in the bath or shower

**CAUTION - This appliance is not intended for use by children or other persons without assistance or supervision if their physical, sensory or mental capabilities prevent them from using it safely. Children should be supervised to ensure that they do not play with the appliance.**

Precautions should be taken to ensure that prolonged contact with the towel rail cannot occur. Particular care should be taken in confined areas where accidental prolonged contact with the rail could be more likely to occur.

This appliance should only be used to dry fabrics washed in water using commonly available detergents.

If the supply cord is damaged, it must be replaced by the manufacturer, its service agent or similarly qualified persons in order to avoid a hazard.

**IMPORTANT - If the towel rail is to be installed in a place used by the public, a warning notice should be placed adjacent to the rail advising that the surface can be hot.**

**WARNING - the towel rail is a sealed unit and is filled and sealed under controlled conditions. Under no circumstances should the seal of the unit be compromised**

**WARNING - In order to avoid a hazard for very young children, this appliance should be installed so that the lowest heated rail is at least 600mm above the floor.**

#### Electrical

**WARNING - This appliance must be earthed**

The electrical installation of this towel rail must be carried out by a competent electrician in accordance with the current I.E.E Regulations for Electrical Equipment. The towel rail is suitable for use on an A.C.~ electrical supply. Before installation check that the supply voltage corresponds with that marked on the rail.

**IMPORTANT - The wires in the mains lead are coloured in accordance with the following code:**

<b>BLUE</b>	-	<b>NEUTRAL</b>
<b>BROWN</b>	-	<b>LIVE</b>
<b>GREEN/YELLOW</b>	-	<b>EARTH</b>

As the colours of the wires in the mains lead of this appliance may not correspond with the coloured markings identifying the terminals in your plug, proceed as follows:

The wire which is coloured GREEN and YELLOW must be connected to the terminal in the plug which is marked with the letter E or by the earth symbol  $\oplus$  or coloured green or green and yellow.

The wire which is coloured BLUE must be connected to the terminal which is marked with the letter N or coloured black.

The wire which is coloured BROWN must be connected to the terminal which is marked with the letter L or coloured red.

This appliance must only be used on A.C. mains supply of 230/240 Volts~.

#### Installation

If fitted in a room containing a bath or shower, to comply with the current I.E.E. Regulations, a cable outlet will be necessary with the supply to the heater controlled by a double-pole pull-cord switch having a contact separation of 3mm in each pole. The body of the switch should be situated as to be normally inaccessible to a person using a bath or shower.

**IMPORTANT - Protect the electrical connection whilst handling the towel rail.**

The towel rail must be permanently fixed to the wall using the wall brackets supplied. The rail must be mounted vertically as shown observing the minimum clearances stated.

**WARNING - The towel rail is heavy. Care must be taken when lifting and fitting the towel rail.**

#### General

The TDTR towel rail is designed to provide an all year round service for airing towels and articles of clothing. It is not intended to provide

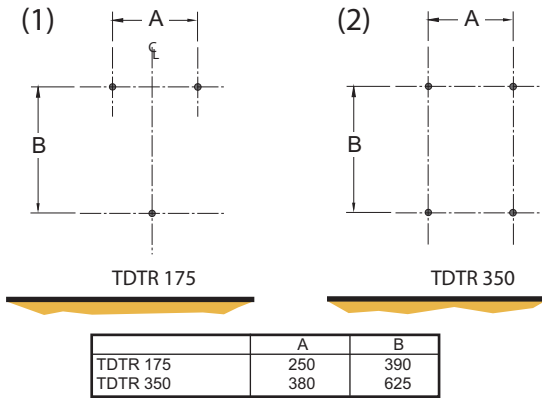
## Wall mounting

The wall mounting accessory pack contains:

- TDTR175 &** (a) 4 mounting brackets
- TDTR350 Models:** (c) 4 wall mounting screws/washers/wall plugs
- (d) 4 depth adjusting screws

### Procedure for wall mounting

Note: TDTR 175 can be fitted in arrangement (1) or (2) from below **Fig. 2**, using either three or four wall mounting brackets. Four brackets must be used on the TDTR350 models



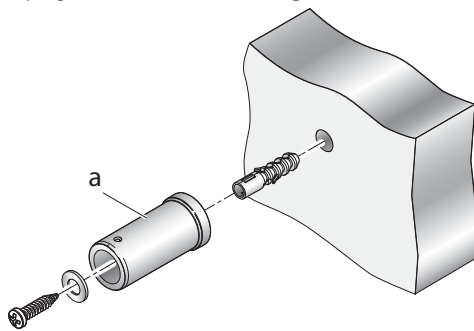
**Fig. 2**

#### Step 1

Mark suitable mounting hole positions for the fixing brackets (ensuring they are horizontal) - see **Fig. 2**, ensure to allow enough room above and below to maintain the minimum clearance stated.

#### Step 2

Drill and plug the wall to suit - see **Fig. 3**.



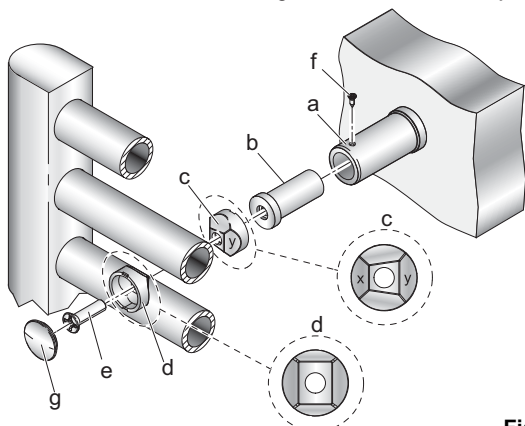
**Fig. 3**

#### Step 3

Secure the outer wall bracket sleeves (a) to the wall using the screws provided - see **Fig. 3**.

#### Step 4

Attach the inner wall bracket sleeves (b) to the towel rail with the clamping pieces (c & d) and screw (e) as shown in **Fig. 4**. Ensure the clamping pieces are aligned correctly as shown (x & y). The screw should be left loose enough to allow horizontal adjustment.



**Fig. 4**

#### Step 5

Align the wall bracket sleeves on the towel rail according to the dimensions shown in **Fig. 2**.

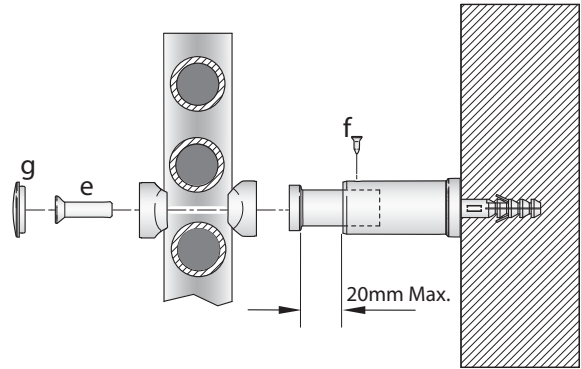
#### Step 6

Lift the towel rail complete with the inner sleeve assembly and align with the outer sleeve previously fixed to the wall. When all the inner sleeves are inserted correctly into the outer sleeves, determine the desired distance of the rail from the wall and secure in place using the fixing screw (f) - see **Fig. 5**.

#### Step 7

Tighten the clamping screws (e) and install the end cap (g) on the front clamping piece.

Note: to assist with the alignment, the outer sleeve position may be adjusted using the slot provided.



**Fig. 5**

## Drying and Airing Towels

It is recommended that for efficient drying, no more than two layers of towels or similar fabric should be draped over the rail. Items should be placed evenly over the whole surface of the rail where possible.

It is not advisable to leave very damp towels or clothes on the towel rail when not in use, as this may in time, affect the paint finish.

The rail, although hot to the touch is not hot enough to scorch or burn fabrics. However, soap and detergents remaining in articles after washing can cause discoloration. Therefore care should be taken to thoroughly rinse articles before airing.

## Operation (Electrical)

Heat will be distributed along each of the rails.

Some variation in the temperature across the surface of the rail is also normal. When the appliance is covered the heating pattern of the rails may alter, and generally temperatures at the upper part of that rail will rise.

The towel rail may be switched on and off at the isolating wall switch which must be positioned outside the bathroom, or operated by means of a pull cord switch.

A further means of control would be to link the towel rail to a room thermostat and/or timer. A room thermostat will ensure that the rail automatically switches off in warmer weather. A timer will allow for short periods of use.

**Note:** If the towel rail is located in a bathroom the adjustment for these controls must be located outside the bathroom.

## Maintenance

There are no user serviceable parts on the towel rail.

**WARNING - The Bleed screw on the rear of the product is intended for the use of the service agent only and should never be opened.**

The rail is filled with a precise quantity of special liquid and should never need draining or refilling. Repairs requiring the opening of the liquid-tight seal must only be made by the manufacturer's Service Agent. Any leakage must be reported to the manufacturer's Service Agent.

The element and cable are a single unit and any maintenance must be carried out by the manufacturer's service agent using the recommended Parts

## Cleaning

The finish on your towel rail can be maintained by occasionally wiping over with a damp cloth and lightly finishing with a soft dry cloth. This should only be carried out when the rail is cold. **Do not** use abrasive cleaning powders as this could damage the surface finish.

## Recycling

For electrical products sold within the European Community.



At the end of the electrical products useful life it should not be disposed of with household waste. Please recycle where facilities exist. Check with your Local Authority or retailer for recycling advice in your country.

## After Sales Service

Your product is guaranteed for two years from the date of purchase.

Within this period, we undertake to repair or exchange this product free of charge (subject to availability) provided it has been installed and operated in accordance with these instructions.

Your rights under this guarantee are additional to your statutory rights, which in turn are not affected by this guarantee.

Should you require after sales information or assistance with this product please go to [www.dimplex.co.uk](http://www.dimplex.co.uk) where you will find our self help guide by clicking on "After Sales" or ring our help desk on 0845 600 5111 (UK) or 01 842 4833 (R.O.I).

Spare parts are also available on the website [www.dimplex.co.uk](http://www.dimplex.co.uk).

Please retain your receipt as proof of purchase.



The product complies with the European Safety Standards EN60335-2-46 and the European Standard Electromagnetic Compatibility (EMC) EN55014, EN60555-2 and EN60555-3 These cover the essential requirements of EEC Directives 2006/95/EC and 2004/108/EC

DIMPLEX  
MILLBROOK HOUSE  
GRANGE DRIVE  
HEDGE END  
SOUTHAMPTON  
SO30 2DF

TEL: 0845 600 5111  
FAX: 01489 773050  
WEBSITE: [www.dimplex.co.uk](http://www.dimplex.co.uk)  
Republic of Ireland Tel. 01 8424833

[c] GDC Group Ltd,

All rights reserved. Material contained in this publication may not be reproduced in whole or in part, without prior permission in writing of Dimplex.

A division of GDC Group Ltd,