



## DR4LC-LOW CEILING CLASSIC OVAL

Thank you for choosing Enclume!

Enclume racks are the ultimate quality, design, strength and function.

**WARNING: READ ALL OF THE INSTRUCTIONS BEFORE ASSEMBLING AND USING YOUR RACK**

If you need help, please call 1-877-ENCLUME  
**Enclume Design Products**  
24 Colwell Street, Port Hadlock, WA 98339  
Phone 360-385-6100 • Fax 360-385-6156  
[www.enclume.com](http://www.enclume.com)

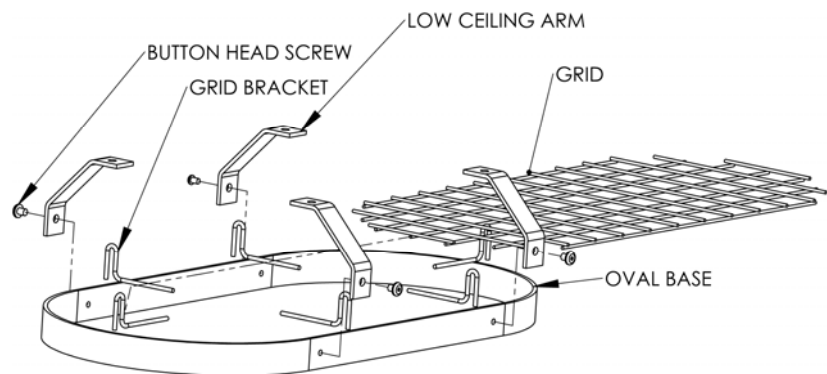
Enclosed you will find everything needed for the assembly and use of your storage rack. Two people make assembly and installation easier. The parts and hardware included are:

**Hardware included:**

- 4 – 5/16" x 1/2" Button Head Screws
- 4 – 2" Lag Screws (for wood mounting)
- 1-4 point, 1/4" Toggler Set (for dry wall mounting)    3/16" Allen Wrench

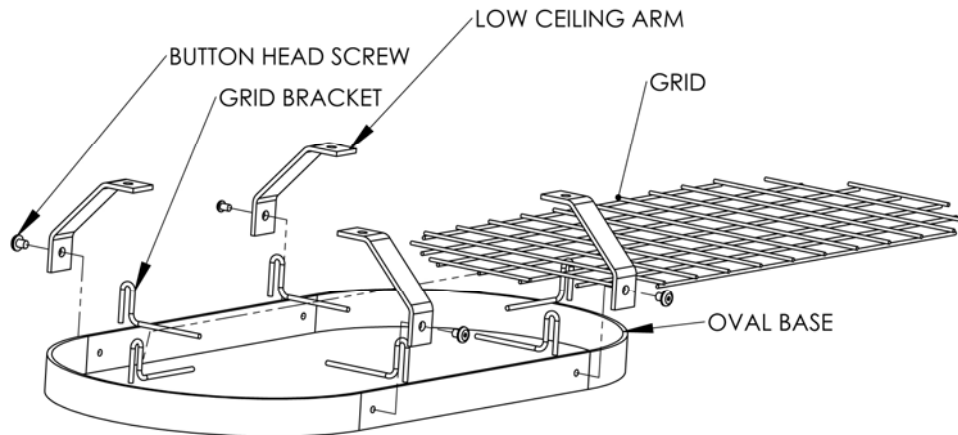
**Rack Components included:**

- 4 – Low Ceiling Arms
- 1 – Rack Body Oval
- 1 – Hanging Grid
- 6 – Grid Brackets, EGB
- 12 – Straight Pot Hooks, EPHS



See REVERSE SIDE for ASSEMBLY and INSTALLATION INSTRUCTIONS

# ASSEMBLY and INSTALLATION INSTRUCTIONS for YOUR DR4LC RACK



## Rack Assembly and Installation

- 1) First locate the four low ceiling arms. Using the four 5/16" x 1/2" button head screws attach the arms to the outside of the rack body oval – as shown in the assembly diagram. Do not fully tighten the button head screws at this time.
- 2) Now place the rack on a flat surface to level and set the arms to straight -- then tighten all screws to final positions.
- 3) We recommend that you anchor your rack into the solid wood of ceiling joists or beams. Carefully measure the area where the rack is to be hung and install the ceiling screw hooks directly into the wood joists. If it is not convenient to hang your rack directly into wood joists you may use the included DRYWALL anchors enclosed with your rack. See Toggler® brand manufacturer recommendations for weight limits included in the instructions in the Toggler kit.

## Grid Assembly

- 4) Place the four grid brackets over the sides of the rack, just inside each of the low ceiling arm brackets with the straight end of the brackets facing towards the inside of the rack. Next place the grid on top of the grid brackets and distribute the hooks on the rack.  
**Note:** The grid should be placed on the grid brackets so that the grid crossbars that extend the width of grid are facing down. This will help to keep grid from sliding out of position when rack is in use.
- 5) Hang your heavier items on the straight portion of the rack body or the center of the grid area.



**WARNING**

**It is important that your rack is assembled and installed correctly. If the unit is assembled or used incorrectly, it could become unstable and collapse, possibly causing injury.**

**Limited Warranty:** This product is warranted to be free of material defects for a period of five years from the date of purchase. Your exclusive remedy is the repair or replacement of the defective product and this remedy is subject to the following conditions: (1) receipt of a notice of defect by Enclume within the warranty period, and (2) your return of the defective product to Enclume Design Products, 24 Colwell St , Port Hadlock, WA 98339, *postage prepaid* within 20 days following the issuance of a return authorization number to you by Enclume (which may be obtained by telephoning Enclume at the number above). There are no other warranties, expressed or implied. **THERE ARE NO WARRANTIES OF MERCHANTABILITY OR FITNESS FOR A PARTICULAR PURPOSE. ENCLUME SPECIFICALLY DISCLAIMS ANY AND ALL INCIDENTAL OR CONSEQUENTIAL DAMAGES ARISING OUT OF THE PURCHASE OR USE OF ENCLUME'S PRODUCTS.**