



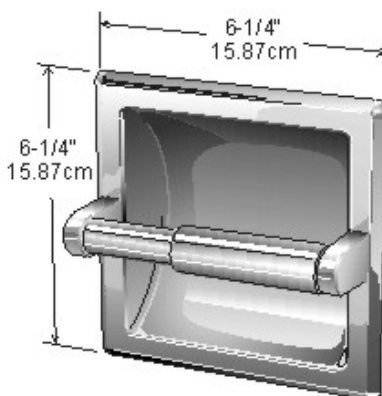
- Quality
- Value
- Service

**Tech  
Reference**

---

## Recessed Toilet Tissue Holder

**Code 1134S:** Stainless Steel



### **Specifications:**

**Material:** Stainless Steel

**Wall box size:** 5-1/4" x 5-1/4" x 1-1/2"

---

Description and specifications applicable on date issued. Frost reserves the right to make improvements or changes without notice.