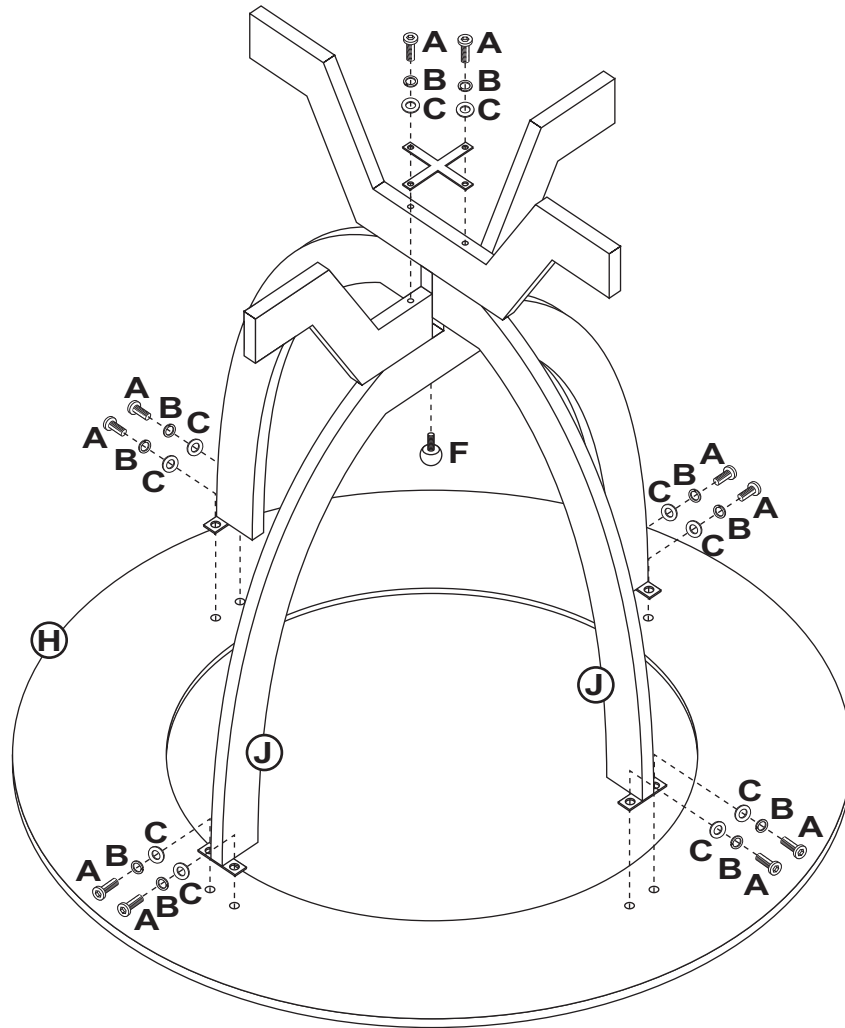
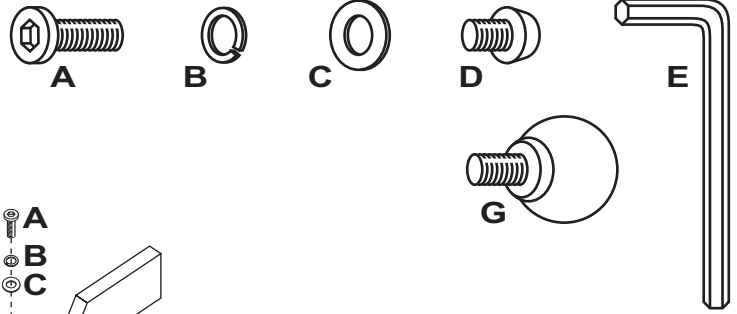


Examine all packaging material for small parts that may have come loose during shipment. Periodic checks are recommended to insure that all components are in proper position, tight and free from damage. Keep this assembly instruction for future reference. Adult assembly is required. Customer Service Phone Number: 502-562-0000

**HARDWARE LIST**

**PARTS LIST**

- A (16) Allen Bolts 1/4" x 3/4"    H (1) Table Top
- B (16) Spring Washers 1/4"    J (2) Leg Panels
- C (16) Flat Washers 1/4"
- D (4) Foot Glides
- E (1) Allen Wrench
- F (1) Support Plate
- G (1) Ball Finial



**STEP 1**

Begin assembly by attaching each Leg Panel (J) together by fitting in place. Once in place, secure from the bottom using the Support Plate (F) using 4 Allen Bolts (A), 4 Spring Washers (B) & 4 Flat Washers (C) to fasten in place. Tighten all bolts using the Allen Wrench (E) that has been provided.

**STEP 2**

Once secured, insert the Ball Finial (G) onto the lower Leg Panel (J) by firmly screwing in place. Do not overtighten.

**STEP 3**

Finally attach the Table Top (H) to the top of each Leg Panel (J) using 2 Allen Bolts (A), 2 Spring Washers (B) & 2 Flat Washers (C) per each leg. Tighten all bolts. The assembly is now complete.