

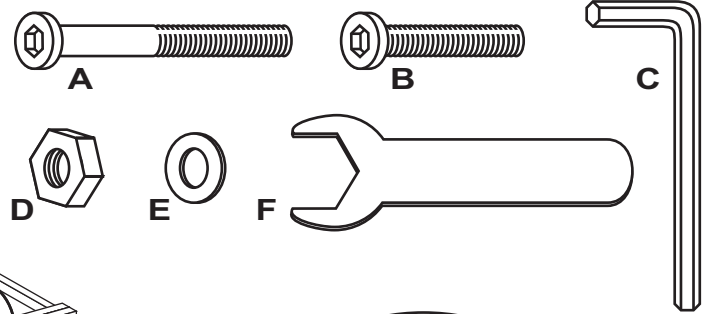
Examine all packaging material for small parts that may have come loose during shipment. Periodic checks are recommended to insure that all components are in proper position, tight and free from damage. Keep this assembly instruction for future reference. Adult assembly is required. Customer Service Phone Number: 502-562-0000

**HARDWARE LIST**

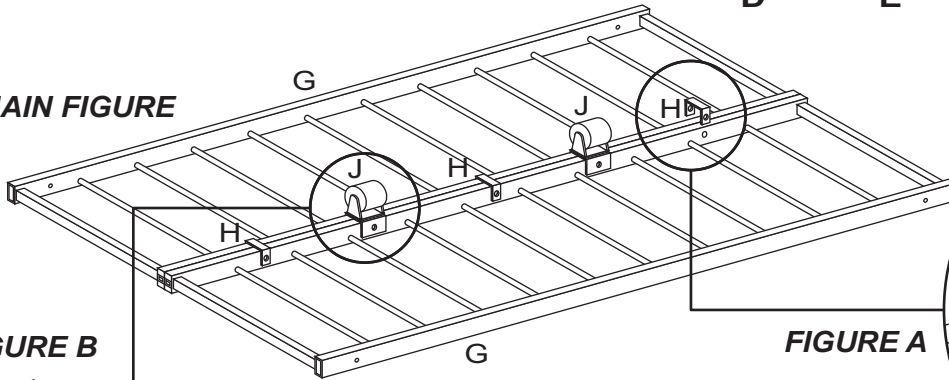
- A (5) Allen Bolts M6 x 56mm
- B (4) Allen Bolts M6 x 37mm
- C (1) Allen Wrench
- D (9) Hex Nuts
- E (18) Flat Washers
- F (1) Hex Wrench

**PARTS LIST**

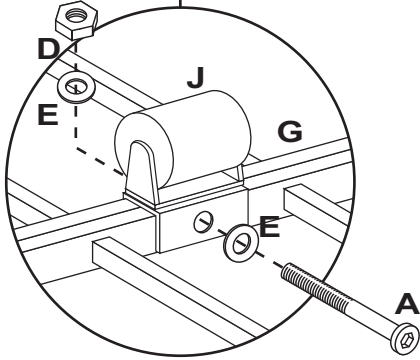
- G (2) Bed Frames
- H (3) Frame Connectors
- J (2) Large Casters
- K (4) Small Casters



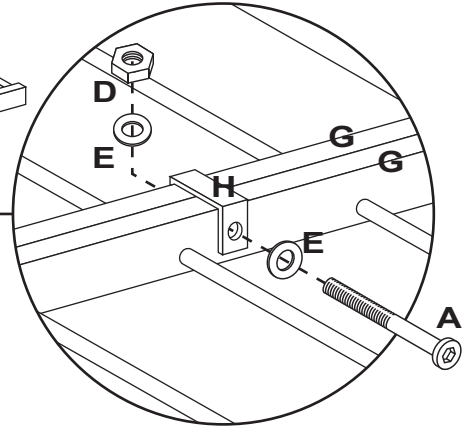
**MAIN FIGURE**



**FIGURE B**



**FIGURE A**



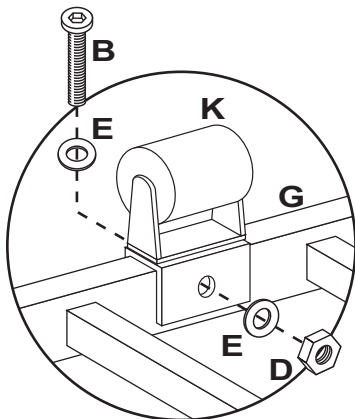
*This illustration shows the frame upside down.*

**STEP 1**

Begin assembly by attaching each Bed Frame (G) together by aligning the holes and securing with the 3 Connectors (H) and 2 Large Casters (J). Fit together and secure in place with 1 Allen Bolt (A), 1 Flat Washer (E), on the other side 1 Flat Washer (E) & 1 Hex Nut (D). Tighten all bolts and nuts using the Allen and Hex Wrenches (C & F) that have been provided. See Figures A & B.

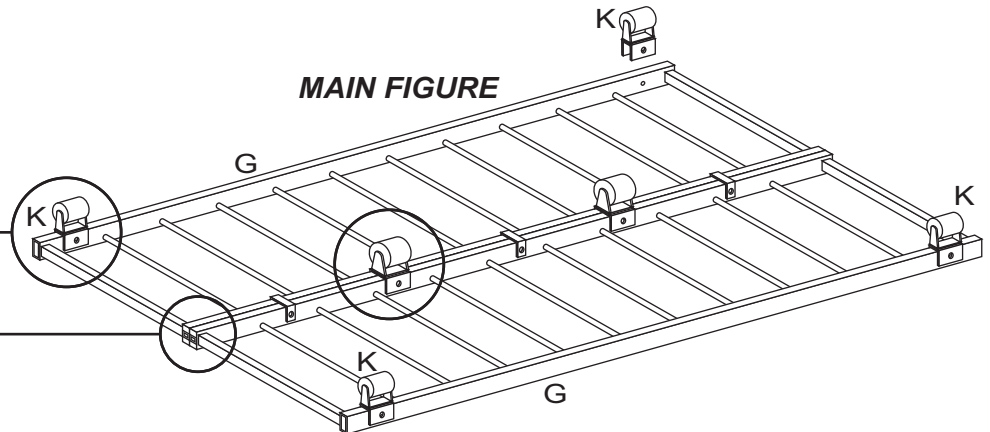
**STEP 2**

Attach each Small Caster (K) to the end of each Bed Frame (G) by aligning holes and securing with 1 Allen Bolt (B), 1 Flat Washer (E) from the outside and 1 Flat Washer (E) & 1 Hex Nut (D) on the inside. Tighten all bolts and nuts. The assembly is now complete.



**FIGURE C**

**MAIN FIGURE**



*Arrows should be pointing up when the support deck is fully assembled.*