



BONITA BED SET

Model # 799-7501 (346-330)
Model # 799-7504 (346-460)
Model # 799-7509 (346-500)
Model # 799-7511 (346-660)

CUSTOMER SERVICE
PHONE NUMBER
(502) 562-0000
DATE: 05-16-03

Examine all packaging material for small parts that may have come loose during shipment. Periodical checks are recommended to insure that all components are in proper position, tight and free from damage. Keep this assembly instruction for future reference.

TOOLS REQUIRED FOR ASSEMBLY: Allen Wrench (Supplied) Open Ended Wrench (Not Supplied).

- | HARDWARE LIST | PARTS LIST |
|-------------------------|----------------------|
| A (4) Long Allen Bolts | G (1) Headboard |
| B (4) Short Allen Bolts | H (1) Footboard |
| C (4) Hex Nuts | J (2) Leg Extensions |
| D (8) Rubber Washers | L (4) Foot Glides |
| E (8) Metal Washers | |
| F (1) Allen Wrench | |
| M (8) Spring Washers | |

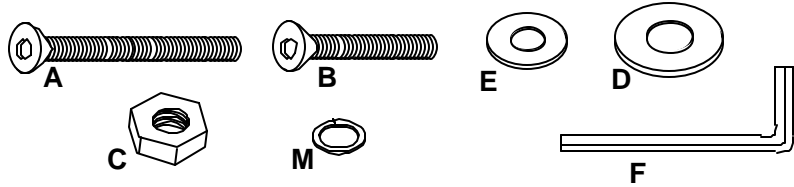
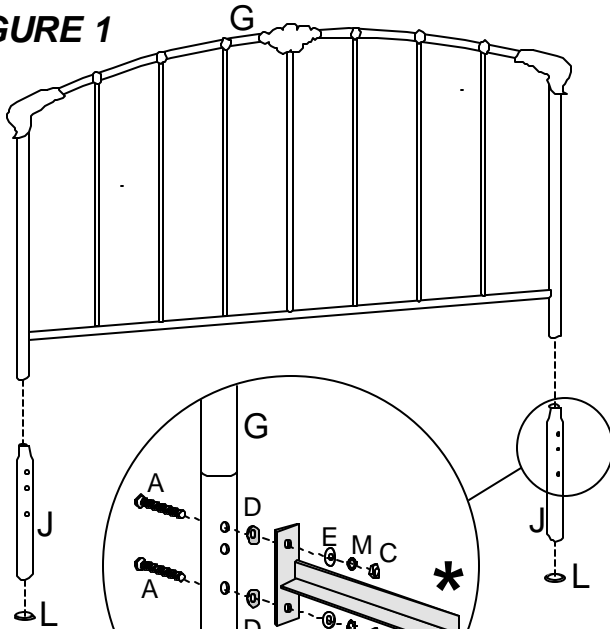


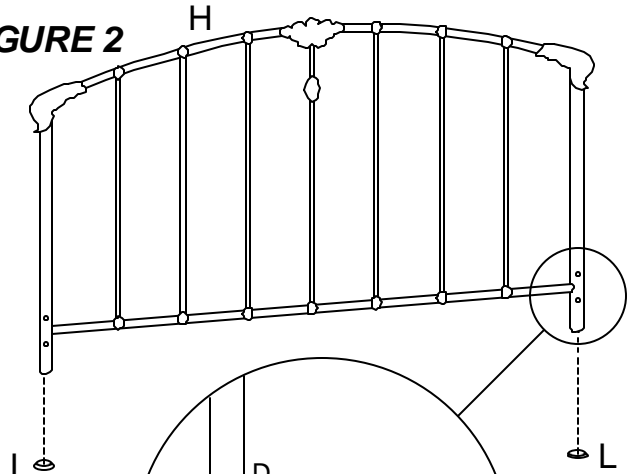
FIGURE 1



HEADBOARD
BED FRAME
ATTACHMENT

FIGURE 3

FIGURE 2



FOOTBOARD
BED FRAME
ATTACHMENT

NOTE: Inside view
of Footboard.

FIGURE 4

*** Bed Frame
Not Included**
Only Bed Frame
Bracket Shown
In Figures 3 & 4

STEP 1 [SEE FIGURE 1]

Insert each Leg Extension (J) into bottom of Headboard (G) Posts. Attach Foot Glides (L) to bottom of each Leg Extension (J), and bottom of each post on Footboard (H).

STEP 2 [SEE FIGURE 3]

Attach Bed Frame (Not Included) to Headboard (G) using 2 Long Allen Bolts (A), 2 Rubber Washers (D), 2 Metal Washers (E), 2 Spring Washers (M) and 2 Hex Nuts (C). Tighten All Bolts and Nuts.

STEP 3 [SEE FIGURES 2 & 4]

Attach Bed Frame (Not Included) to Footboard (H) using 2 Short Allen Bolts (B), 2 Metal Washers (E), 2 Spring Washers (M) and 2 Rubber Washers (D). Tighten All Bolts. Assembly is now complete.

CARE & MAINTENANCE: The touch of a soft cloth is all the maintenance the finish of your new BED SET will ever need. Never use harsh or abrasive cleaners for polishing. Periodic checks are recommended to make sure that all bolts, screws and nuts are securely tightened.