

Examine all packaging material for small parts that may have come loose during shipment. Periodic checks are recommended to insure that all components are in proper position, tight and free from damage. Keep this assembly instruction for future reference. Adult assembly required. Online Parts Request: parts.request@hillsdalefurniture.com - Customer Service Phone Number: 502-562-0000

HARDWARE LIST

- A (4) Allen Bolts
- B (1) Allen Wrench

PARTS LIST

- C (1) Stool Top
- D (1) Stool Base

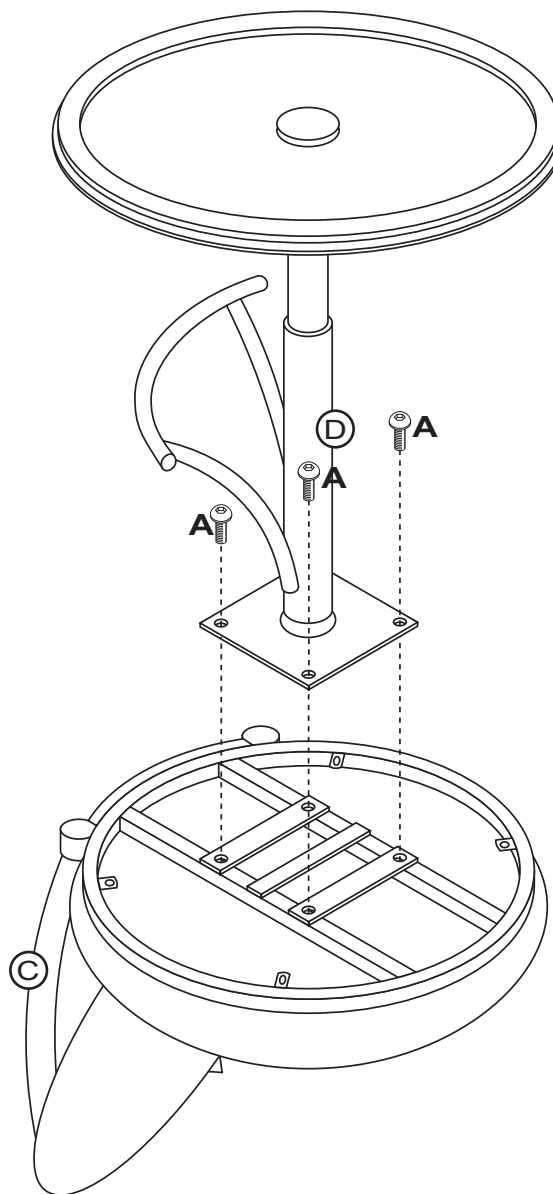


***** ASSEMBLY *****

Turn Stool Top (C) upside down on a clean, smooth surface to protect from damage.

Attach Stool Base (D) to Stool Top (C) by aligning holes and tightening into place using 4 Allen Bolts (A). Tighten all bolts only using the Allen Wrench (B) that has been provided.

The assembly is complete. You may now turn your stool over in it's upright position.



CARE & MAINTENANCE: The touch of a soft cloth is all the maintenance the finish will ever need. Please do not use harsh or abrasive cleaners for polishing, as they may cause damage to the finish. Periodic checks are recommended to make sure that all bolts, screws and nuts are securely tightened.