

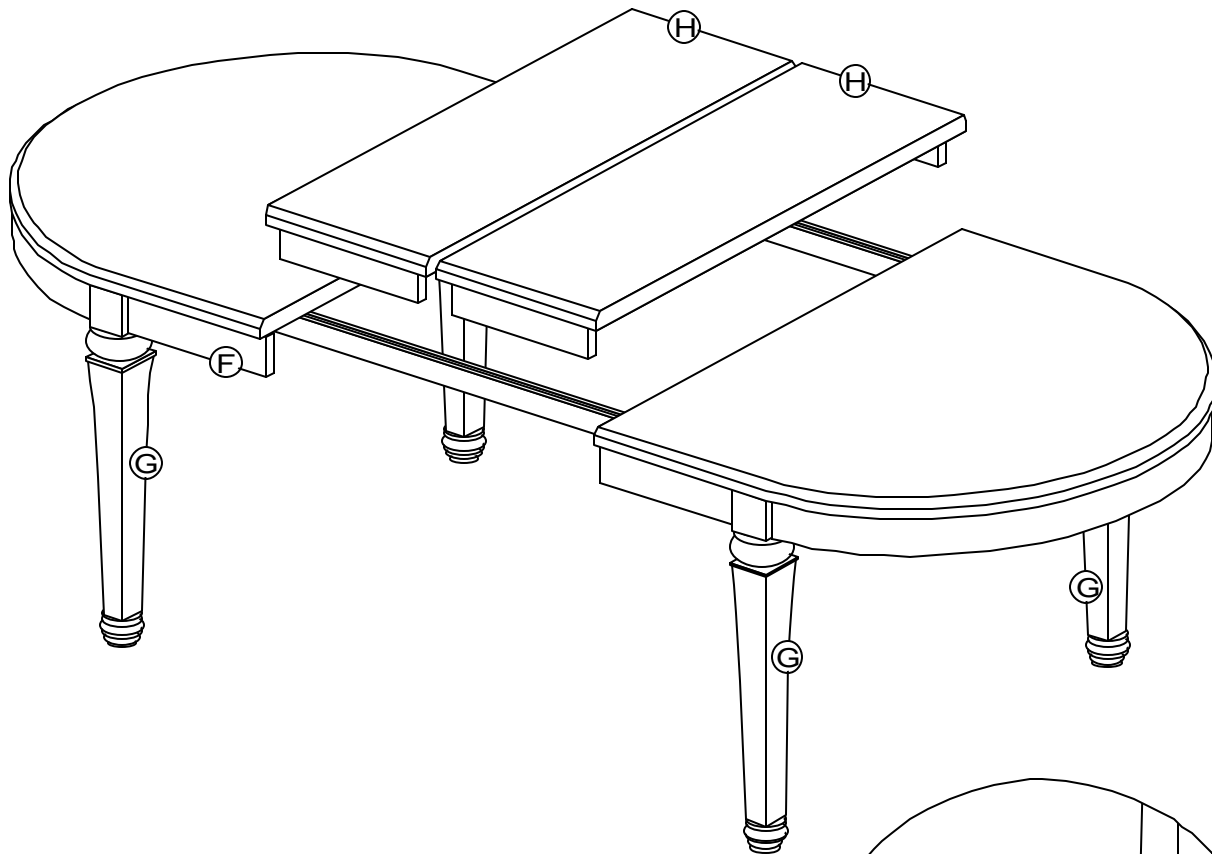
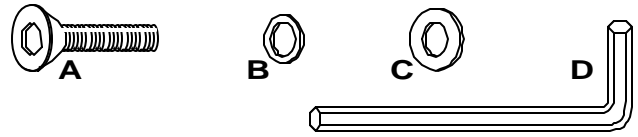
Examine all packaging material for small parts that may have come loose during shipment. Periodic checks are recommended to insure that all components are in proper position, tight and free from damage. Keep this assembly instruction for future reference. Adult assembly required. Online Parts Request Form: www.hillsdalehouse.com/parts_request.html

HARDWARE LIST

- A (8) Allen Bolts
- B (8) Spring Washers
- C (8) Metal Washers
- D (1) Allen Wrench

PARTS LIST

- F (1) Table Base
- G (4) Legs
- H (2) Drop In Leaves

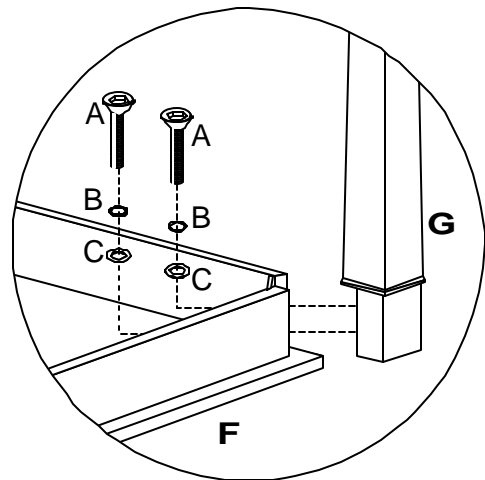


STEP 1

Begin assembly by first attaching each Leg (G) to bottom side of Table Top (F) using 2 Allen Bolts (A), 2 Spring Washers (B) & 2 Metal Washers (C) per each leg. Tighten all bolts only using Allen Wrench (D) provided with hardware pack. See figure shown above.

STEP 2 - Only for Extra Leaf Insert

Using the help of a friend, carefully pull from each side of table to extend both top panels outward. Drop in each Leaf (H) between both sides. Once in place, carefully close table by pushing both panels together. The assembly is complete.



CARE & MAINTENANCE: The touch of a soft cloth is all the maintenance the finish will ever need. Please do not use harsh or abrasive cleaners for polishing, as they may cause damage to the finish. Periodic checks are recommended to make sure that all bolts, screws and nuts are securely tightened.