

UNLESS OTHERWISE STATED, PLEASE DO NOT TIGHTEN BOLTS (AND/OR) SCREWS UNTIL UNIT IS COMPLETELY ASSEMBLED ON A FLAT SURFACE. Examine all packaging material for small parts that may have come loose during shipment. Periodic checks are recommended to insure that all components are in proper position, tight and free from damage. Keep this assembly instruction for future reference. Adult assembly required.

HARDWARE LIST

- A (20) Allen Bolts 3/4"
- B (20) Spring Washers
- C (20) Metal Washers
- D (4) Wood Screws
- E (1) Allen Wrench

PARTS LIST

- F (1) Wood Top
- G (1) Table Base
- H (4) Legs
- J (1) Support Ring

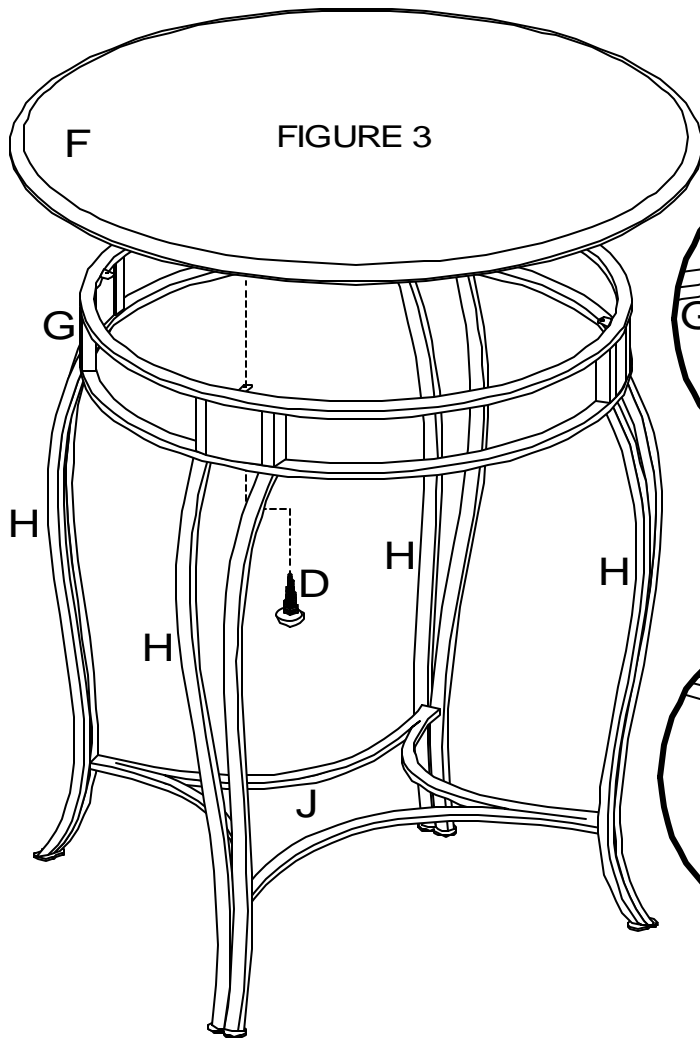
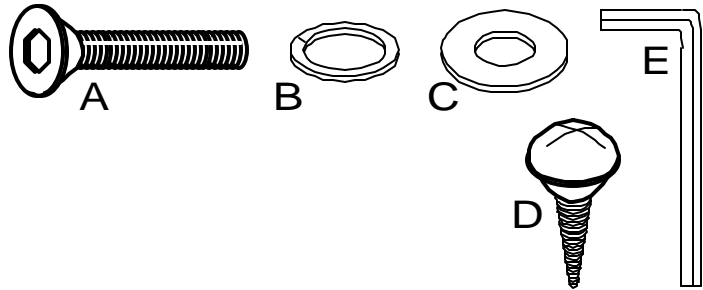


FIGURE 3

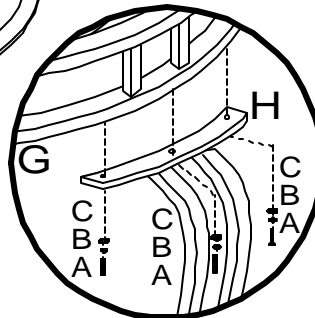


FIGURE 1

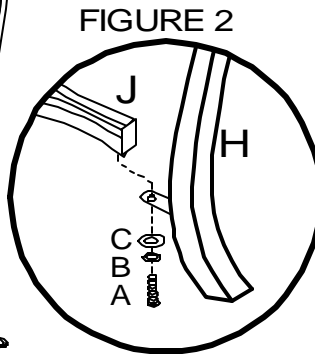


FIGURE 2

*****ASSEMBLY*****

STEP 1

Attach all 4 Legs (H) to Table Base (G) using 2 Allen Bolts (A), 2 Spring Washers (B) and 2 Metal Washers (C) per each leg. Tighten All Bolts. See Figure 1.

STEP 2

Attach Support Ring (J) to all 4 Legs (H) using 1 Allen Bolt (A), 1 Spring Washer (B) and 1 Metal Washer (C) per each leg. Tighten All Bolts. See Figure 2.

STEP 1

Attach Wood Top (F) to Table Base (G), using 4 Wood Screws (D) to hold in place. See Figure 3. Tighten All Bolts. Assembly is now complete.

Drawings of all Parts and Hardware are generic drawings. Sizes drawn may not be exact according to the piece you have purchased.

ONLINE PARTS REQUEST FORM:

www.hillsdalehouse.com/parts_request.html

CARE & MAINTENANCE: The touch of a soft cloth is all the maintenance the finish of your new item will ever need. Never use harsh or abrasive cleaners for polishing. Periodic checks are recommended to make sure that all bolts, screws and nuts are securely tightened.