

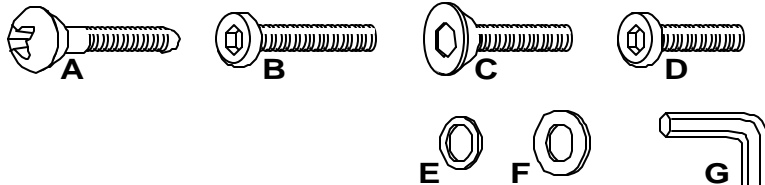
Examine all packaging material for small parts that may have come loose during shipment. Periodic checks are recommended to insure that all components are in proper position, tight and free from damage. Keep this assembly instruction for future reference. Adult assembly required. Online Parts Request Form: www.hillsdalehouse.com/parts_request.html

HARDWARE LIST

- A (4) Wood Screws
- B (3) Large Allen Bolts
- C (2) Counter Sunk Bolts
- D (12) Small Allen Bolts
- E (3) Spring Washers
- F (3) Metal Washers
- G (1) Allen Wrench

PARTS LIST

- H (1) Chair Back
- J (2) Metal Scrolls
- K (1) Seat Base
- L (2) Front Legs
- M (1) Cross Brace
- N (1) Seat Cushion



STEP 1

Begin assembly by attaching each Metal Scroll (J) to Chair Back (H), using 1 Counter Sunk Bolt (C) per each side. Only hand tighten bolts for this step.

STEP 2

Next, attach Both Front Legs (L) to Seat Base (K), using 3 Small Allen Bolts (D) per each leg. Only tighten bolts by hand for this step.

STEP 3

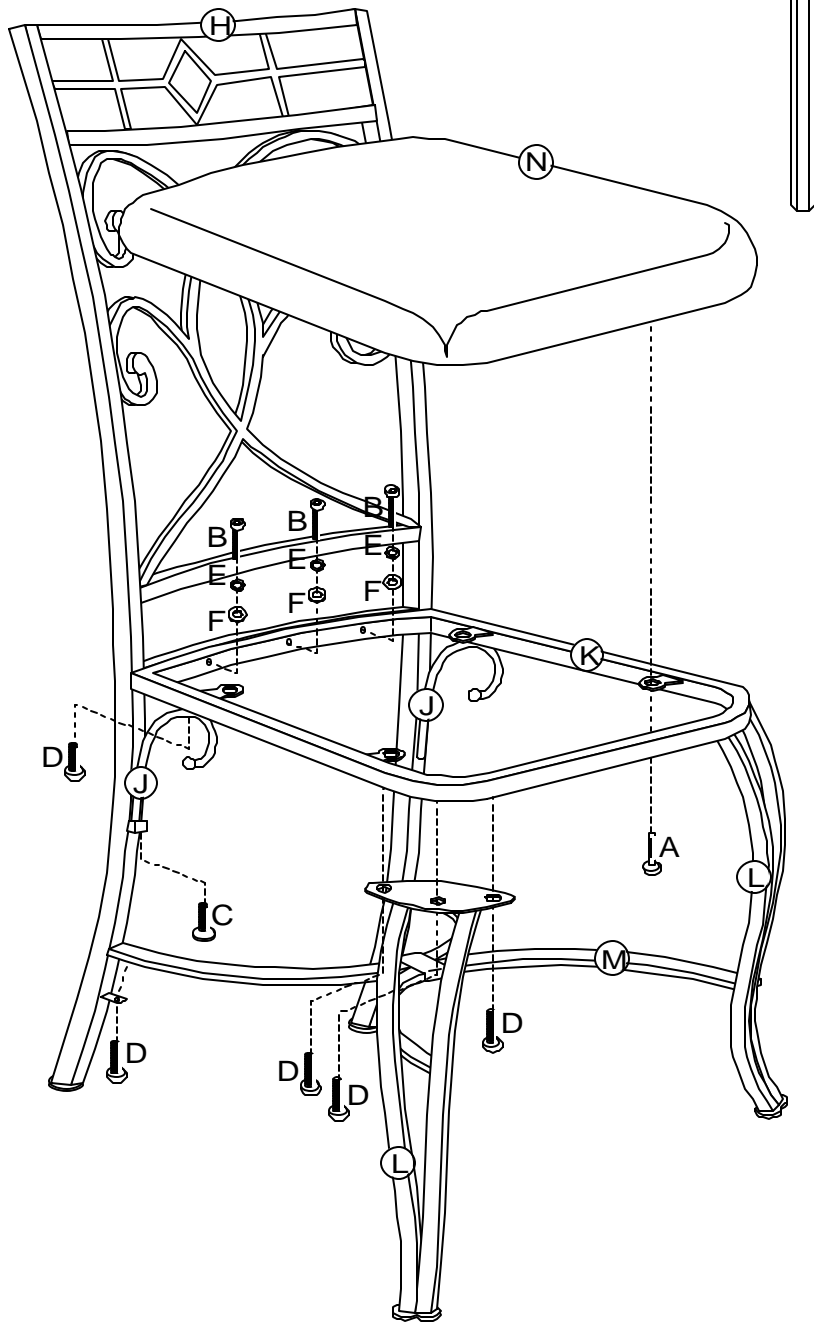
Attach Seat Base (K) to Chair Back (H) using 3 Large Allen Bolts (B), 3 Spring Washers (E) & 3 Metal Washers (F) to hold in place. Also, attach to each Metal Scroll (J), using 1 Small Allen Bolt (D) per each side. Only tighten bolts by hand for this step.

STEP 4

Attach Cross Brace (M) to both legs on Chair Back (H) & to both Front Legs (L), using 1 Small Allen Bolt (D) per each leg. (If Cross Brace is not properly attached, the holes will not line up & you will be unable to assemble. If you find this a problem, turn it around). Tighten all bolts from Steps 1 through 4.

STEP 5

Finally, attach Seat Cushion (N) to Seat Base (K), using 4 Wood Screws (A) to hold in place. Tighten all screws using only a phillips head screwdriver (not included) as power tools may cause damage to parts and/or hardware. The assembly is now complete.



CARE & MAINTENANCE:

The touch of a soft cloth is all the maintenance the finish will ever need. Please do not use harsh or abrasive cleaners for polishing, as they may cause damage to the finish. Periodic checks are recommended to make sure that all bolts, screws and nuts are securely tightened.