

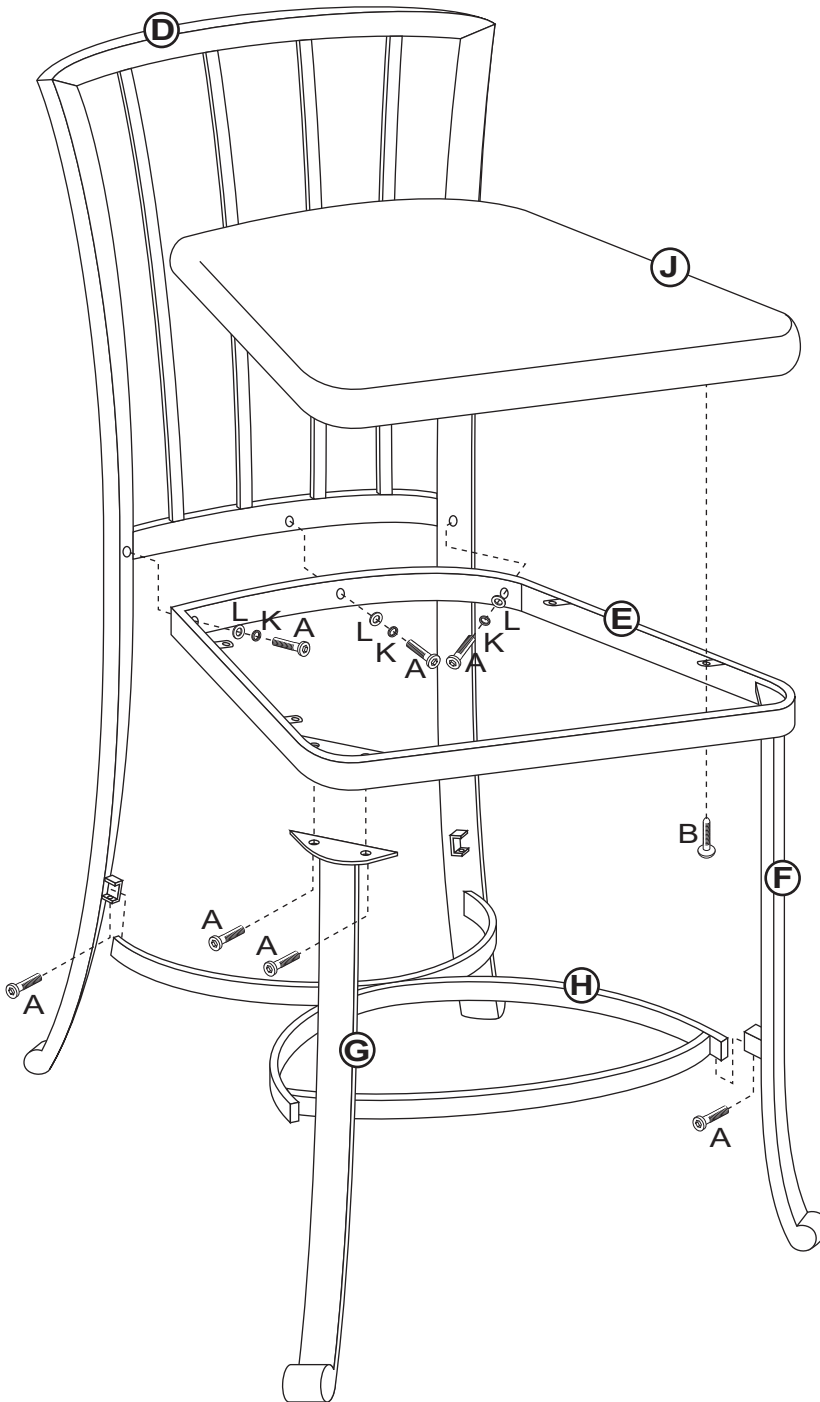
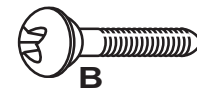
Examine all packaging material for small parts that may have come loose during shipment. Periodic checks are recommended to insure that all components are in proper position, tight and free from damage. Keep this assembly instruction for future reference. Adult assembly required. Online Parts Request: parts.request@hillsdalefurniture.com - Customer Service Phone Number: 502-562-0000

HARDWARE LIST

- A (11) Allen Bolts
- B (4) Wood Screws
- C (1) Allen Wrench
- K (3) Spring Washers
- L (3) Flat Washers

PARTS LIST

- D (1) Stool Back
- E (1) Seat Base
- F (1) Front Right Leg
- G (1) Front Left Leg
- H (1) Cross Brace
- J (1) Seat Cushion



STEP 1

Begin assembly by first attaching the Seat Base (E) to the Stool Back (D) using 3 Allen Bolts (A), 3 Spring Washers (K) & 3 Flat Washers (L) from the inner rear side and into the Stool Back. Do not fully tighten bolts.

STEP 2

Next, attach each Front Left & Right Leg (F & G) to the bottom side of the Seat Base (E) using 2 Allen Bolts (A) per each leg. Do not fully tighten bolts.

STEP 3

Attach the Cross Brace (H) to each leg on Stool Back (D) & to each Front Right & Left Leg (F & G) by sliding each end into place and secure using 1 Allen Bolt (A) per each end. Tighten all bolts from Steps 1 though 3.

STEP 4

Finally, attach the Seat Cushion (J) to the Seat Base (E) using 4 Wood Screws (B) to secure in place. Tighten all screws only using a phillips head screwdriver (not included). The assembly is now complete.