

Keep these instructions for future reference.



IMPORTANT



- *To help prevent serious or fatal injuries from entrapment or falls:*
- Follow the information on the warnings appearing on the upper bunk end structure and on the carton. Do not remove warning label from bed.
- Always use the recommended size mattress or mattress support, or both, to help prevent the likelihood of entrapment or falls.
- Use only mattress which is 74-75 inches long and 37-1/2 - 38-1/2 inches wide on upper and lower bunk. Ensure thickness of mattress and foundation combined does not exceed 8 inches and that mattress surface is at least 5 inches (127 mm) below the upper edge of guardrails.
- Do not allow children under 6 years of age to use the upper bunk.
- Prohibit more than one person on the upper bunk at all times.
- Periodically check and ensure that the guardrail, ladder, and other components are in their proper position, free from damage, and that all connectors are tight.
- Do not allow horseplay on or under the bed and prohibit jumping on the bed.
- Always use the ladder for entering and leaving the upper bunk.
- Do not use substitute parts. Contact the manufacturer or dealer for replacement parts.
- Use of a night light may provide added safety precaution for a child using the upper bunk.
- Always use guardrails on both long sides of the upper bunk. If the bunk bed will be placed next to the wall, the guardrail that runs the full length of the bed should be placed against the wall to prevent entrapment between the bed and wall.
- The use of water or sleep flotation mattresses is prohibited.
- **STRANGULATION HAZARD** - Never attach or hang items to any part of the bunk bed that are not designed for use with the bed; for example: but not limited to - hooks, belts, and jump ropes.

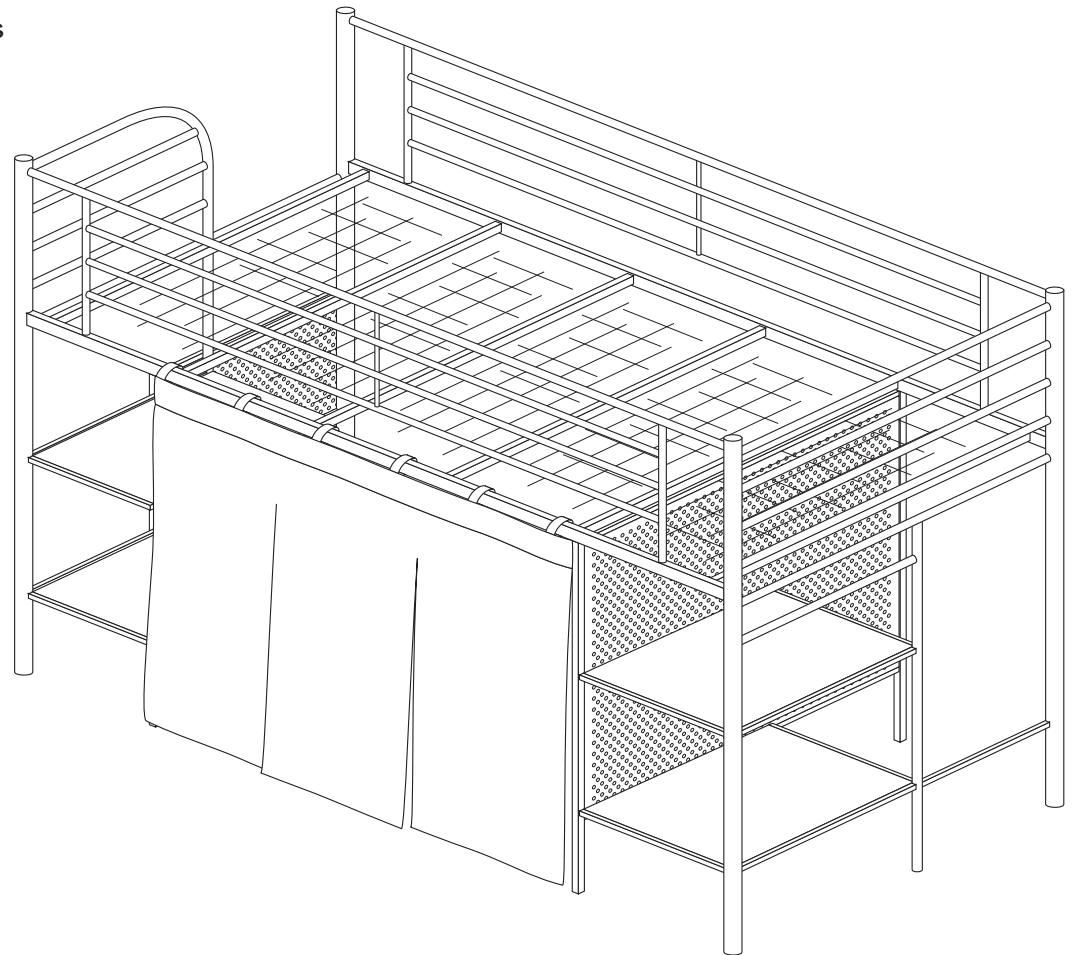
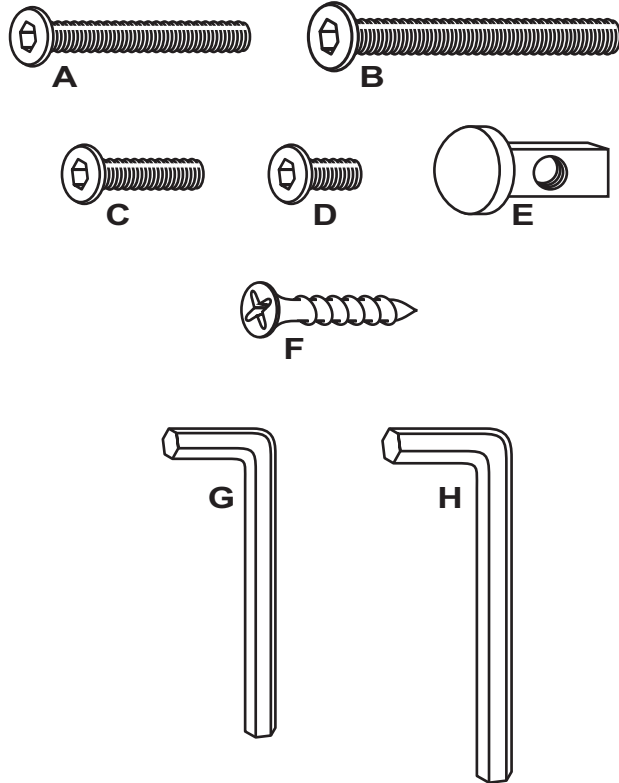
Examine all packaging material for small parts that may have come loose during shipment. Periodic checks are recommended to insure that all components are in proper position, tight and free from damage. Keep this assembly instruction for future reference. Adult assembly is required. Customer Service Phone Number: 502-562-0000

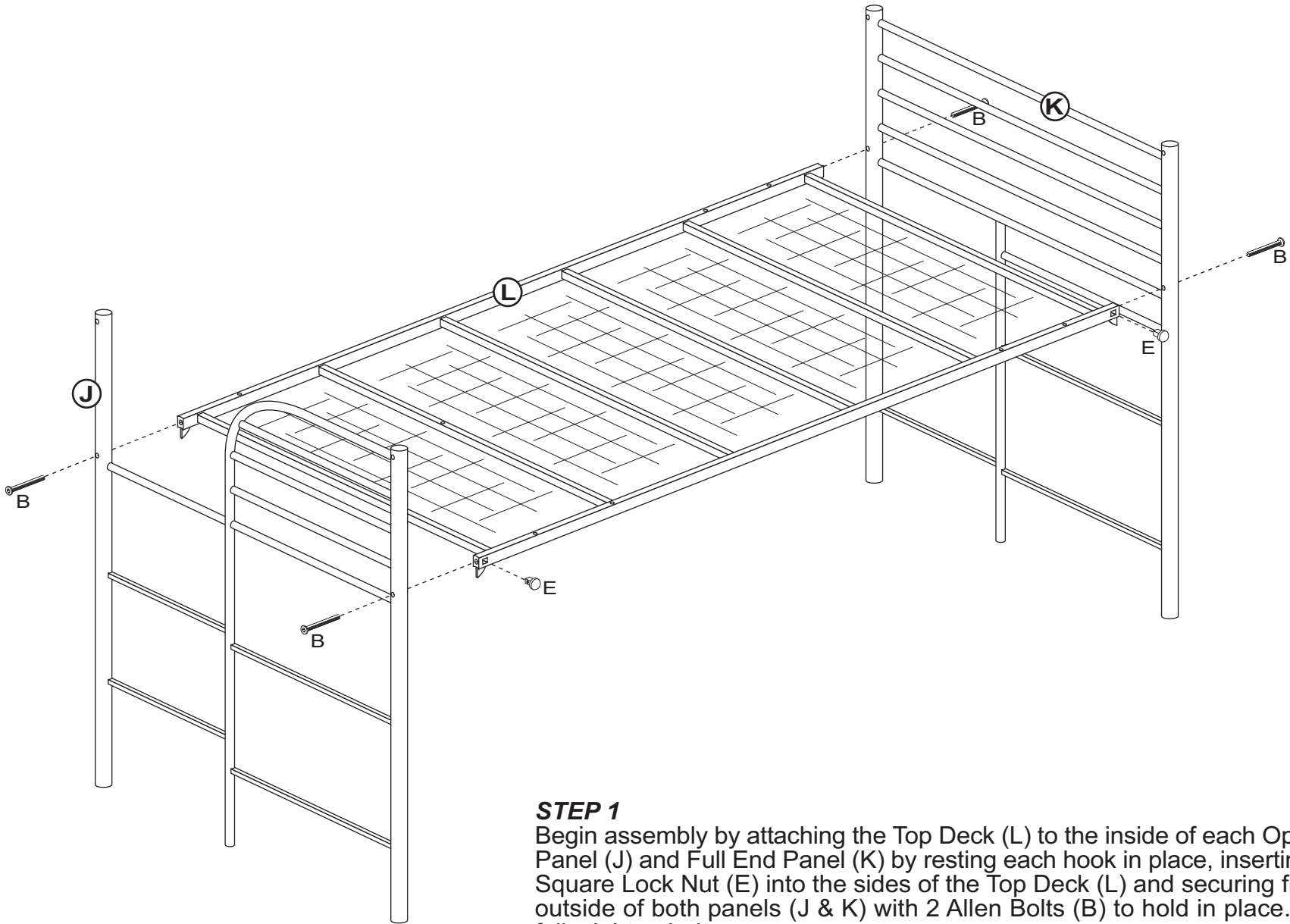
HARDWARE LIST

- A (12) Allen Bolts 1/4" x 2 3/4"
- B (4) Allen Bolts M8 x 95mm
- C (8) Allen Bolts 1/4" x 1 1/2"
- D (8) Allen Bolts 1/4" x 5/8"
- E (4) Square Lock Nuts
- F (16) Metal Screws M4 x 12
- G (1) Allen Wrench 4mm
- H (1) Allen Wrench 5mm

PARTS LIST

- J (1) Open End Panel
- K (1) Full End Panel
- L (1) Top Deck
- M (2) Side Rails
- N (1) Full Mesh Panel
- P (1) Half Mesh Panel
- R (4) Long Support Bars
- S (4) Short Support Bars
- T (2) Left Side Shelves
- V (2) Right Side Shelves
- X (1) Curtain





STEP 1

Begin assembly by attaching the Top Deck (L) to the inside of each Open End Panel (J) and Full End Panel (K) by resting each hook in place, inserting each Square Lock Nut (E) into the sides of the Top Deck (L) and securing from the outside of both panels (J & K) with 2 Allen Bolts (B) to hold in place. Do not fully tighten bolts.

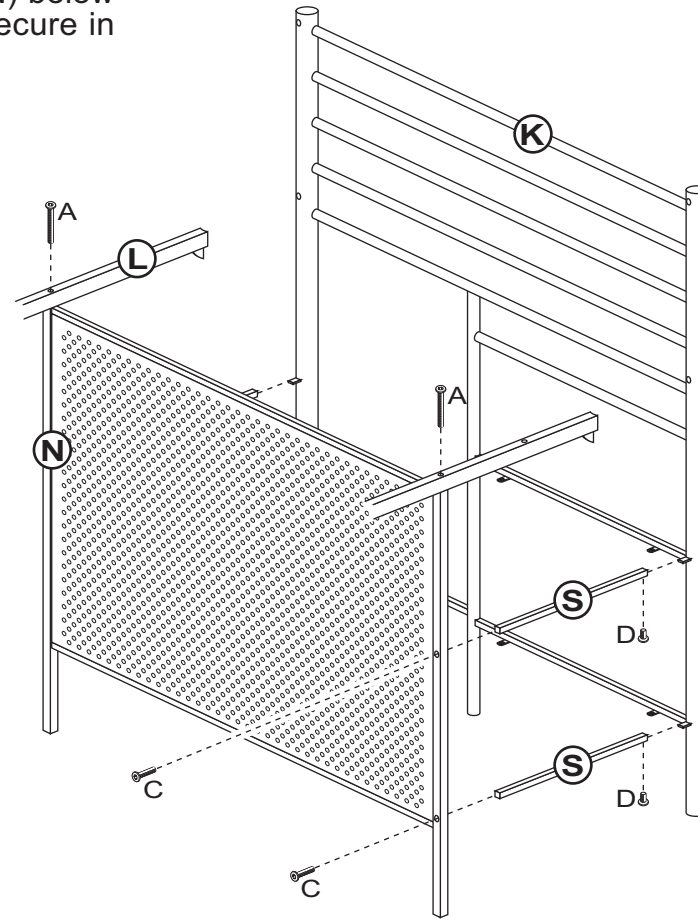
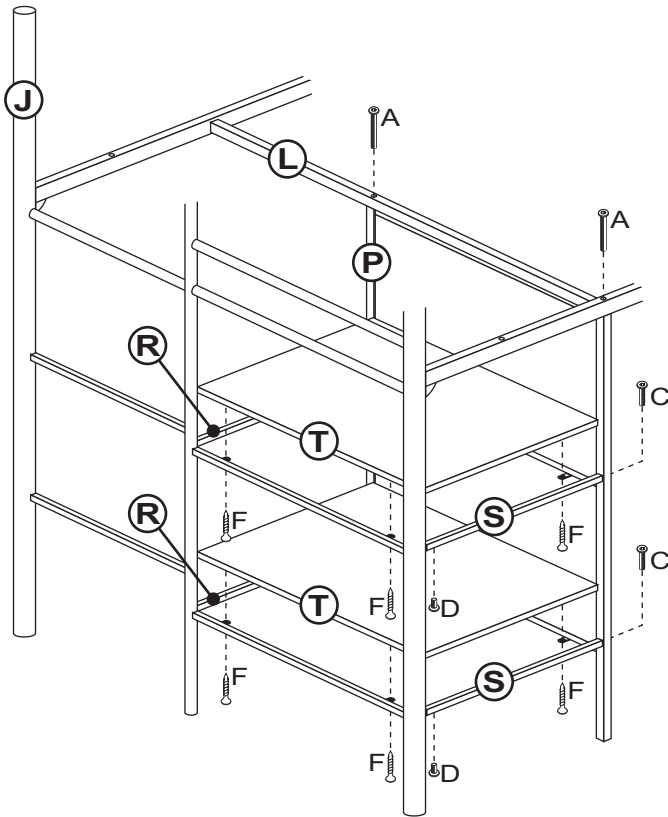
See next page for more assembly.

STEP 2

Assemble the Half Mesh Panel (P) and Full Mesh Panel (N) below the Top Deck (L) from the top using 2 Allen Bolts (A) to secure in place. Do not fully tighten bolts.

STEP 3

Assemble the Long Support Bars (R) and Short Support Bars (S) to the outside of the Half Mesh Panel (P) with 1 Allen Bolt (C) per each end, and to the inside of the posts on the Open End Panel (J) with 1 Allen Bolt (D) from the bottom after connecting in place. Tighten bolts from this step using the Allen Wrench (G).



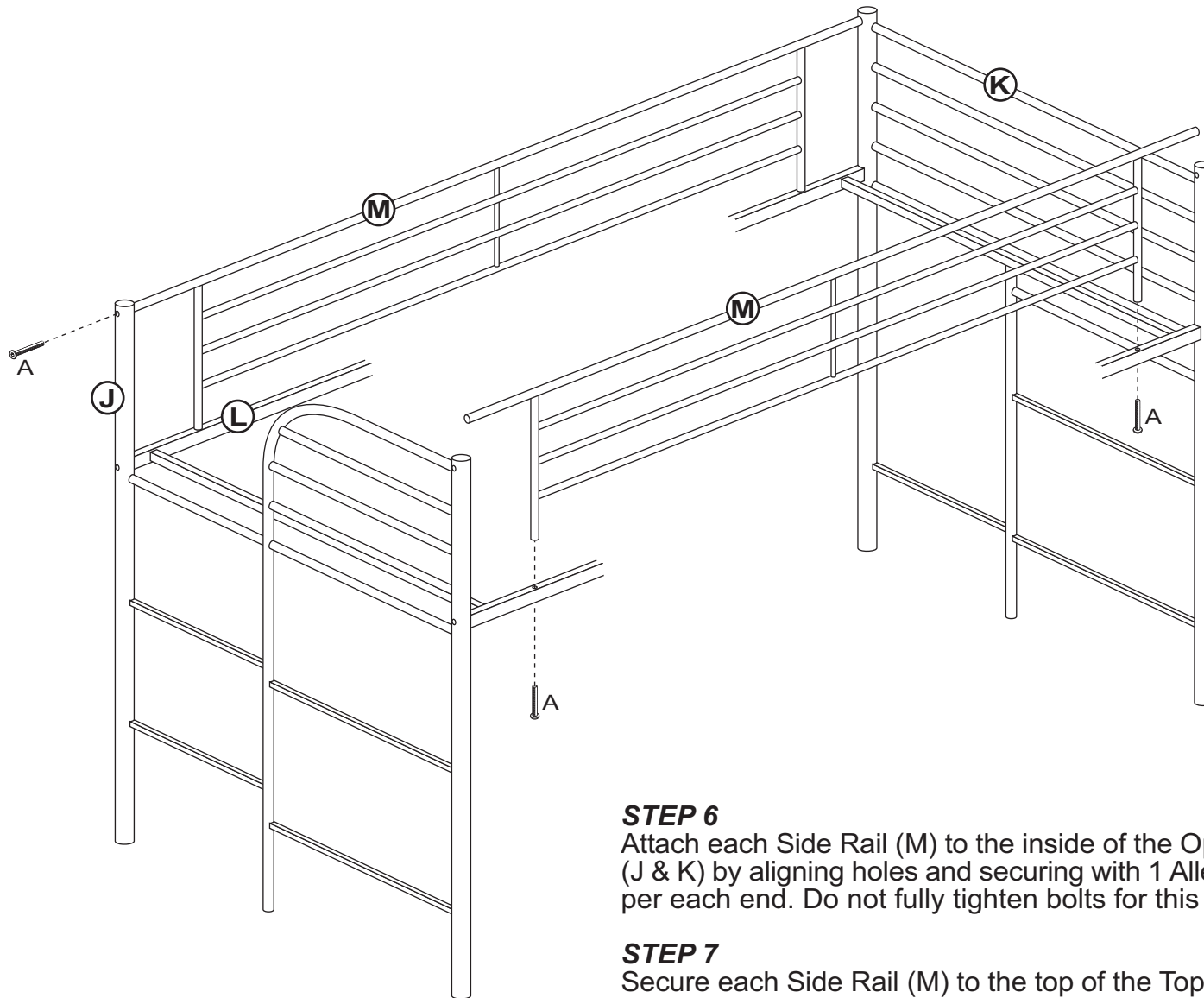
STEP 4

Once in place, assemble the Left Side Shelves (T) to the Half Mesh Panel (P) and Open End Panel (J) from the inside bottom with 4 Metal Screws (F) to secure each in place.

STEP 5

Also assemble the Right Side Shelves (V) to the Full Mesh Panel (N) and Full End Panel (K) from the inside bottom with 4 Metal Screws (F) to secure each in place. Tighten all screws only using a phillips head screwdriver (*Not Included).

See next page for more assembly.



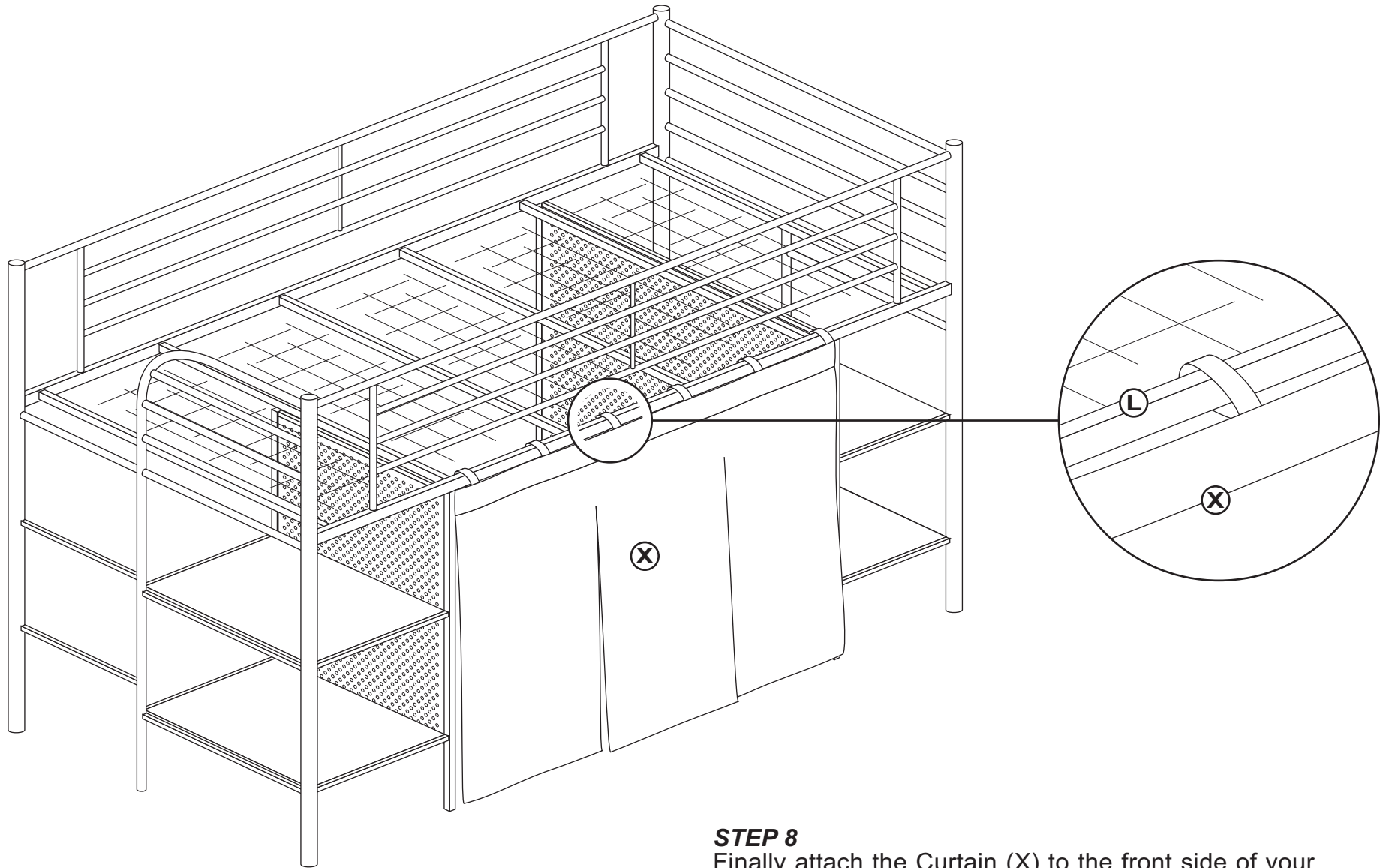
STEP 6

Attach each Side Rail (M) to the inside of the Open End & Full End Panels (J & K) by aligning holes and securing with 1 Allen Bolt (A) from the outside per each end. Do not fully tighten bolts for this step.

STEP 7

Secure each Side Rail (M) to the top of the Top Deck (L) by aligning holes and securing from the bottom with 1 Allen Bolt (A) per each end. Tighten all bolts from Steps 1 through 7 using the Allen Wrenches (G & H) that have been provided.

See next page for more assembly.



STEP 8

Finally attach the Curtain (X) to the front side of your now assembled Junior Bunk Bed by strapping in place. The assembly is now complete.

CARE & MAINTENANCE: The touch of a soft cloth is all the maintenance the finish will ever need. Please do not use harsh or abrasive cleaners for polishing, as they may cause damage to the finish. Periodic checks are recommended to make sure that all bolts, screws and nuts are securely tightened.

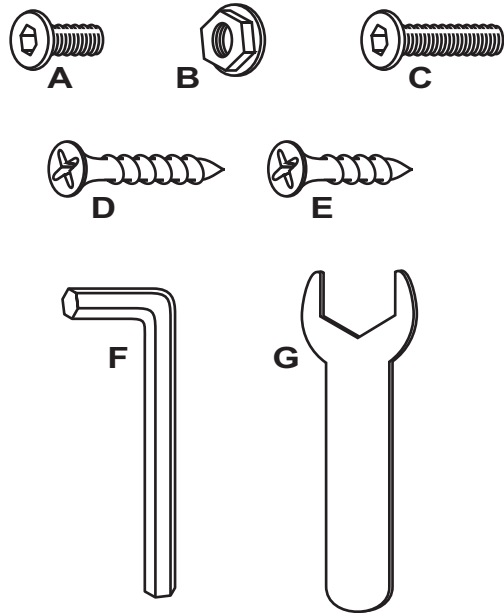
Examine all packaging material for small parts that may have come loose during shipment. Periodic checks are recommended to insure that all components are in proper position, tight and free from damage. Keep this assembly instruction for future reference. Adult assembly is required. Customer Service Phone Number: 502-562-0000

HARDWARE LIST

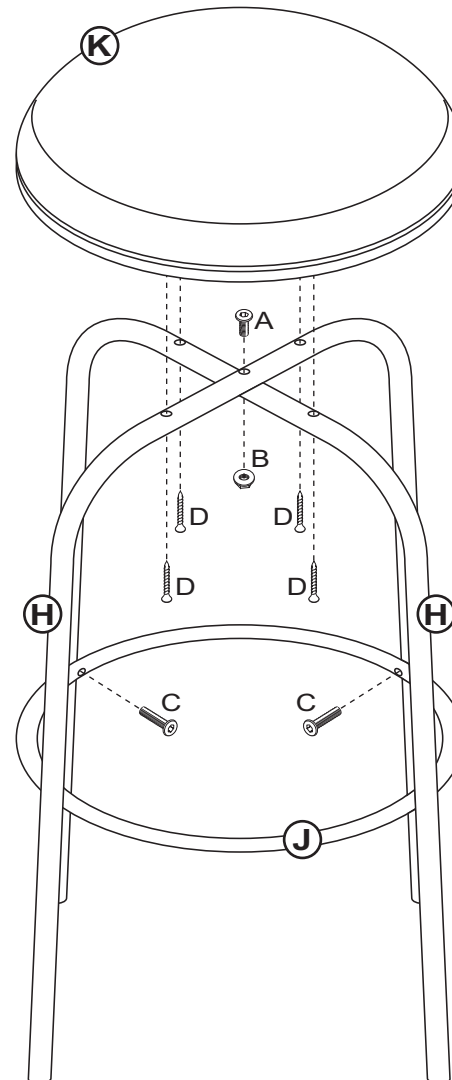
- A (1) Allen Bolts 1/4" x 3/4"
- B (1) Flat Nut 1/4"
- C (8) Allen Bolts 1/4" x 1"
- D (4) Metal Screws M4 x 30
- E (6) Metal Screws M4 x 20
- F (1) Allen Wrench 4mm
- G (1) Hex Wrench 10mm

PARTS LIST

- H (2) Stool Leg Panels
- J (1) Leg Support Ring
- K (1) Seat Base
- L (2) Shelf Arms
- M (2) Shelf Supports
- N (1) Wood Shelf



STOOL



STEP 1

Begin assembly by attaching each Leg Panel (H) together and connecting in place with 1 Allen Bolt (A) from the top and 1 Flat Nut (B) from the bottom. Do not fully tighten bolt and nut for this step.

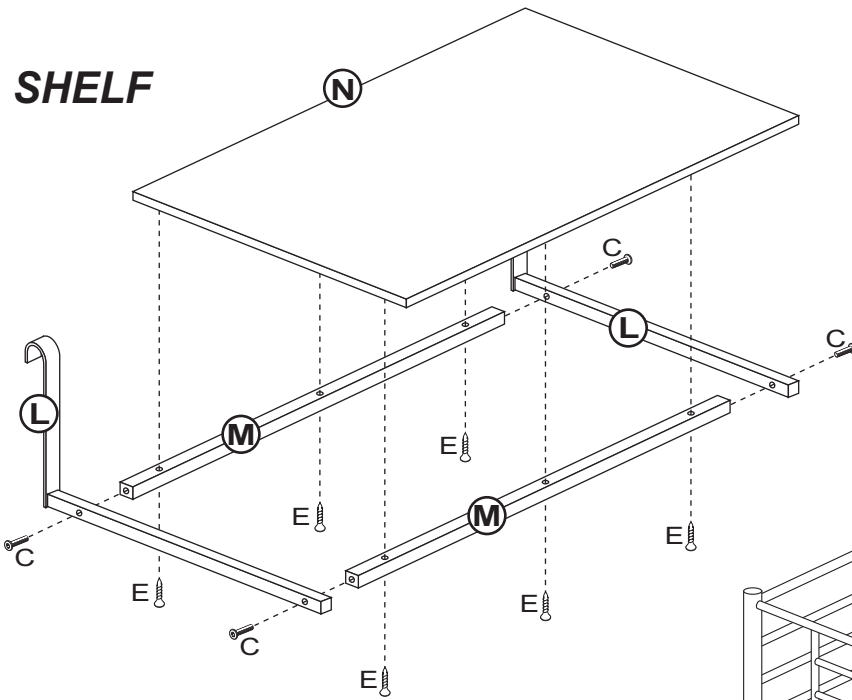
STEP 2

Attach the Support Ring (J) to the inside of each leg by aligning holes and securing with 1 Allen Bolt (C) per each hole. Tighten all bolts and nuts from Step 1 and 2 using the Allen and Hex Wrenches (F & G) that have been provided.

STEP 3

Secure the Seat Base (K) to the top of the Leg Panels (H) by aligning holes and securing from the bottom with 4 Metal Screws (D) to hold in place. Only tighten screws with a phillips head screwdriver (*Not Included) to complete the stool assembly.

See next page for more assembly.



STEP 1

Begin assembly by attaching each Shelf Support (M) to the inside of each Shelf Arm (J) by aligning holes and securing with 2 Allen Bolts (C) per each side. Tighten all bolts.

STEP 2

Attach the Wood Shelf (N) to the top of each Shelf Arm (L) and Shelf Support (M) with 6 Metal Screws (E) from the bottom. Tighten all screws.

STEP 3

Secure the Shelf (*Now Assembled) to the outside of the Full End Panel (See Bunk Bed Assembly Instructions for more information) by hooking in place over the cross tubes.

The assembly is now complete.

