

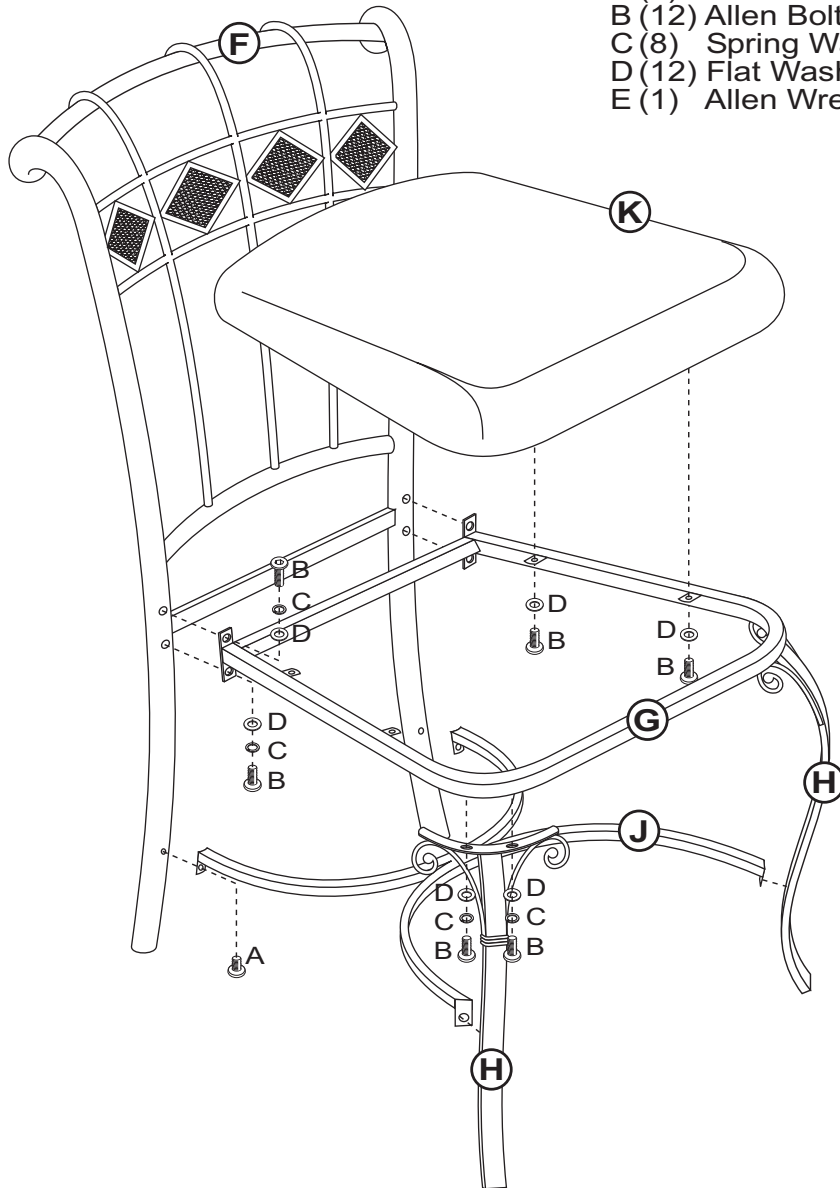
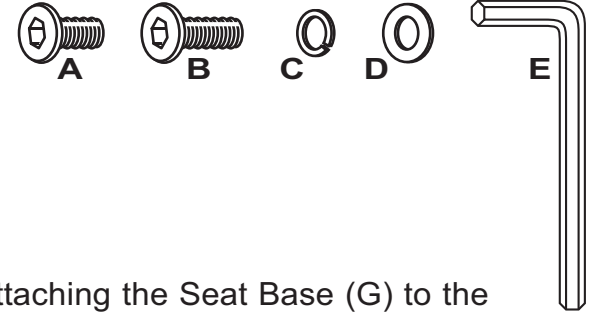
Examine all packaging material for small parts that may have come loose during shipment. Periodic checks are recommended to insure that all components are in proper position, tight and free from damage. Keep this assembly instruction for future reference. Adult assembly is required. Customer Service Phone Number: 502-562-0000

HARDWARE LIST

- A (4) Allen Bolts 1/4" x 1/2"
- B (12) Allen Bolts 1/4" x 3/4"
- C (8) Spring Washers 1/4"
- D (12) Flat Washers 1/4"
- E (1) Allen Wrench 1/4"

PARTS LIST

- F (1) Chair Back
- G (1) Seat Base
- H (2) Front Legs
- J (1) Leg Brace
- K (1) Seat Cushion



STEP 1

Begin assembly by attaching the Seat Base (G) to the Chair Back (F) by aligning holes and securing each side with 2 Allen Bolts (B), 2 Spring Washers (C) & 2 Flat Washers (D) per each side. Do not fully tighten bolts.

STEP 2

Attach each Front Leg (H) to the bottom of the Seat Base (G) by aligning holes and securing each side with 2 Allen Bolts (B), 2 Spring Washers (C) & 2 Flat Washers (D) per each side. Do not fully tighten bolts.

STEP 3

Attach the Leg Brace (J) to each leg on the Chair Back (F) using 1 Allen Bolt (A) per each side. Do not fully tighten bolts.

STEP 4

Also attach the remaining ends of the Leg Brace (J) to each Front Leg (H) with 1 Allen Bolt (A) per each side. Tighten all bolts from Steps 1 through 4 using the Allen Wrench (E) that has been provided.

STEP 5

Finally attach the Seat Cushion (K) to the top of the Seat Base (G) using 4 Allen Bolts (B) & 4 Flat Washers (D) to secure in place. The assembly is now complete.

CARE & MAINTENANCE: The touch of a soft cloth is all the maintenance the finish will ever need. Please do not use harsh or abrasive cleaners for polishing, as they may cause damage to the finish. Periodic checks are recommended to make sure that all bolts, screws and nuts are securely tightened.