

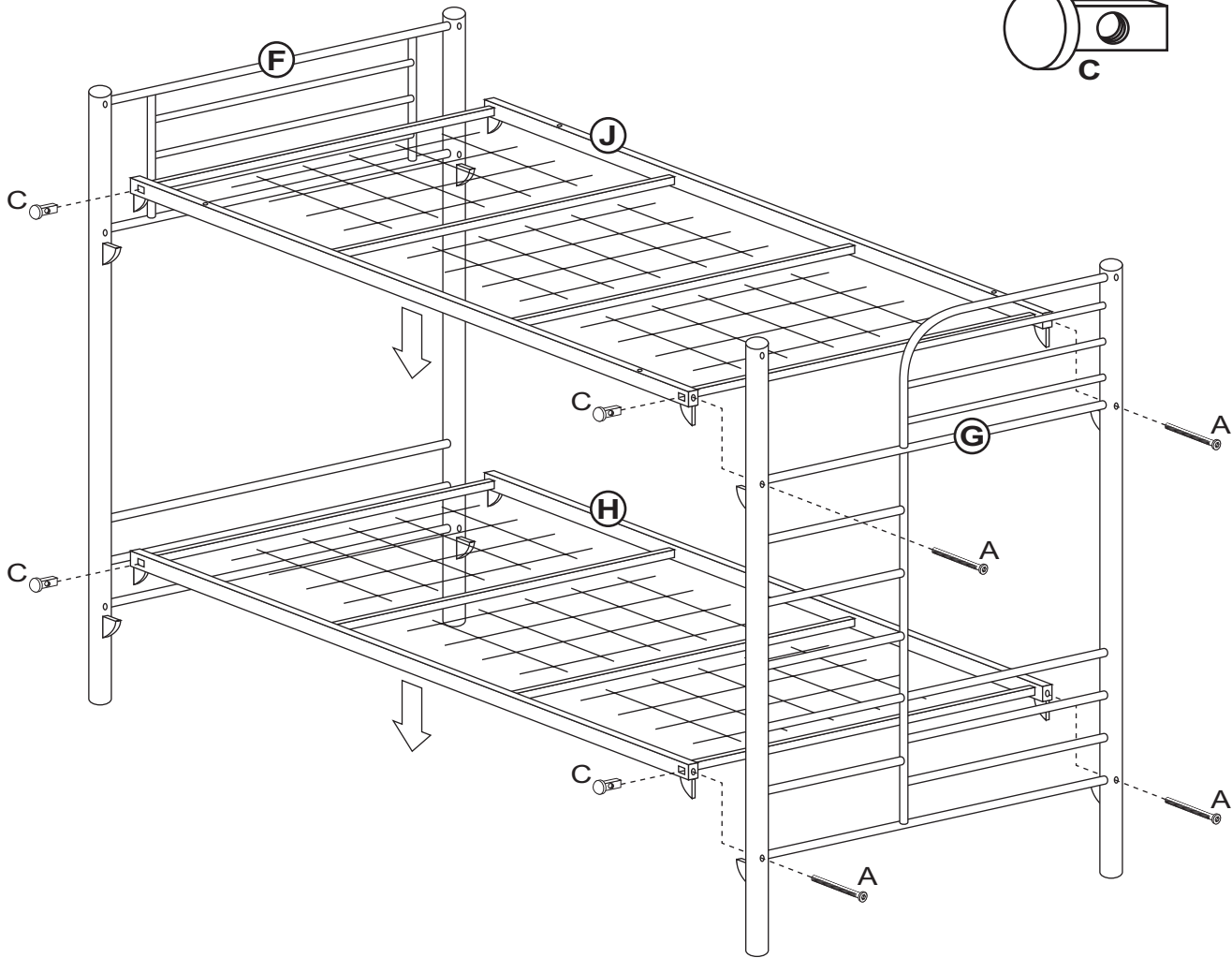
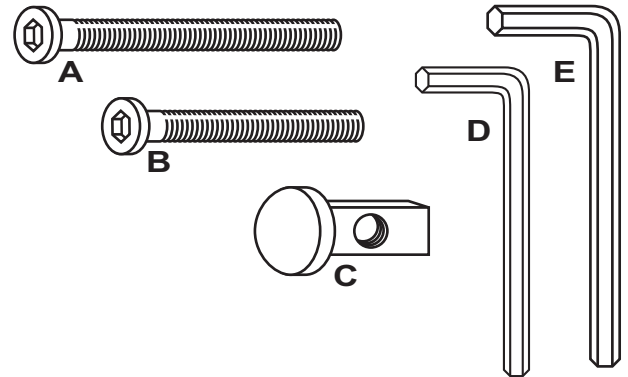
Examine all packaging material for small parts that may have come loose during shipment. Periodic checks are recommended to insure that all components are in proper position, tight and free from damage. Keep this assembly instruction for future reference. Adult assembly is required. Customer Service Phone Number: 502-562-0000

HARDWARE LIST

- A (8) Allen Bolts 5/16" x 3-3/4"
- B (8) Allen Bolts 1/4" x 2-3/4"
- C (8) Square Lock Nuts
- D (1) Allen Wrench 1/4"
- E (1) Allen Wrench 5/16"

PARTS LIST

- F (1) Full End Panel
- G (1) Open End Panel
- H (1) Lower Support Frame
- J (1) Top Support Frame
- K (2) Side Rails



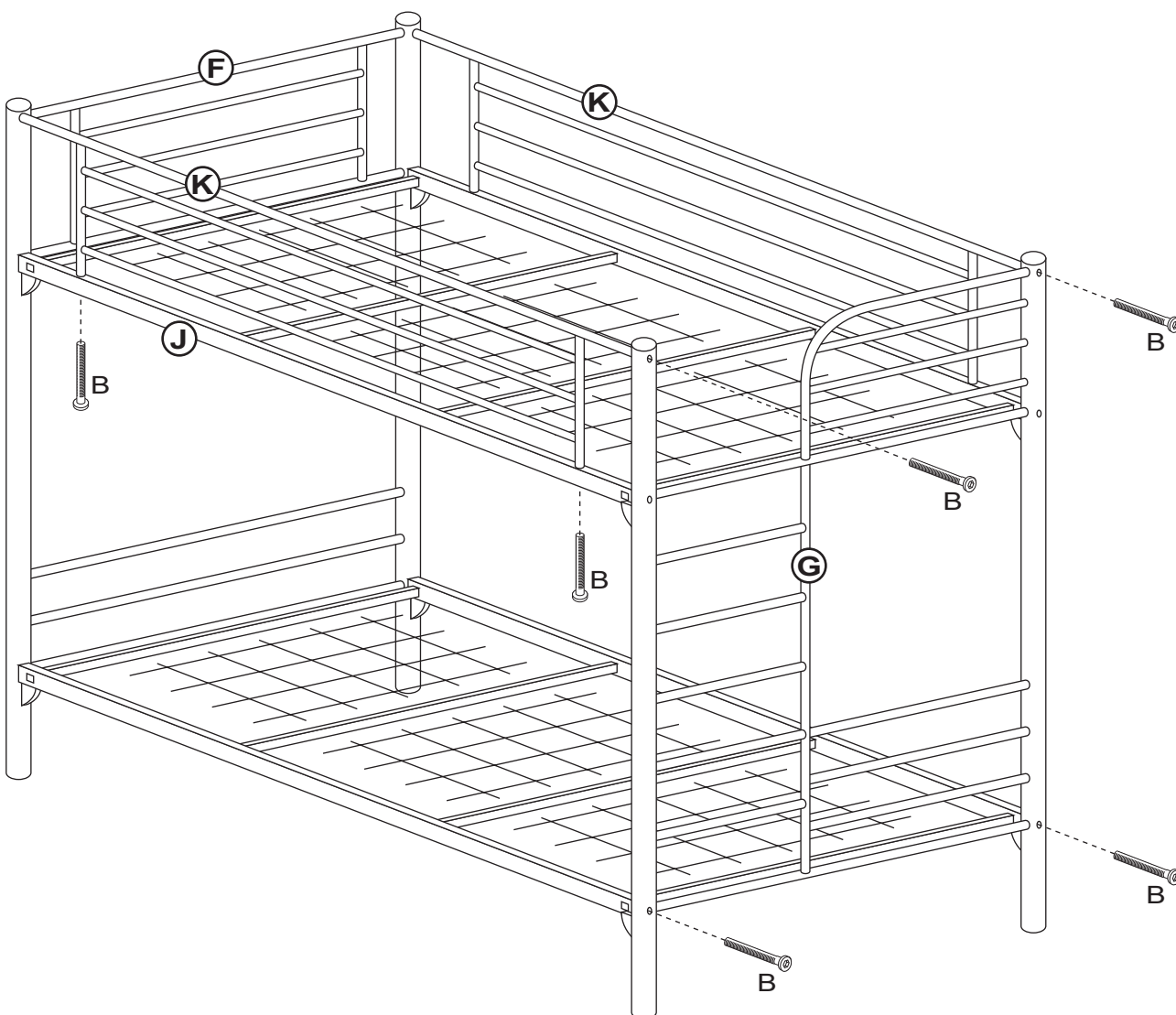
STEP 1

Begin assembly by attaching the Support Frames (H & J) to the inside of the Full End Panel (F) & Open End Panel (G) by fitting the metal braces into the metal sleeves on each End Panel.

STEP 2

Once in place, insert each Square Lock Nut (C) into the open square holes on each outside of the Support Frames (H). Insert 1 Allen Bolt (A) per each outer hole to lock each Support Frame in place. Do not fully tighten bolts.

See next page for more assembly.



STEP 3

Attach each Side Rail (K) to the top of the Top Support Frame (J) using 2 Allen Bolts (B) from the bottom side. Do not tighten bolts.

STEP 4

Also attach each Side Rail (K) to the inside of each End Panel (F & G) using 1 Allen Bolt (B) per each end. Tighten all bolts from Steps 2 through 4 using the Allen Wrenches (D & E) that have been provided. The assembly is now complete.