

Examine all packaging material for small parts that may have come loose during shipment. Periodic checks are recommended to insure that all components are in proper position, tight and free from damage. Keep this assembly instruction for future reference. Adult assembly is required. Customer Service Phone Number: 502-562-0000

HARDWARE LIST

- A (6) Spring Washers
- B (6) Washers
- C (6) Wood Screws
- D (2) Feet
- E (6) Support Legs
- F (14) Short Allen Bolts
- G (6) Medium Allen Bolts
- H (2) Long Allen Bolts
- I (6) Adjustable Feet
- J (1) Allen Wrench

PARTS LIST

- K (1) Headboard Panel
- L (1) Footboard Panel
- M (2) Side Rails
- N (2) Headboard Legs

PART	QTY	HARDWARE	PART	QTY	HARDWARE
A	6		F	14	
B	6		G	3	
C	6		H	2	
D	2		I	3	
E	6		J	1	
O	1		P	4	

STEP 1

Attach the Headboard (K) to the Headboard Legs (N) using 3 Medium Allen Bolts (G), 3 Washers (B) & 3 Spring Washers (A) from behind for each leg. See **Figure 1**.

STEP 2

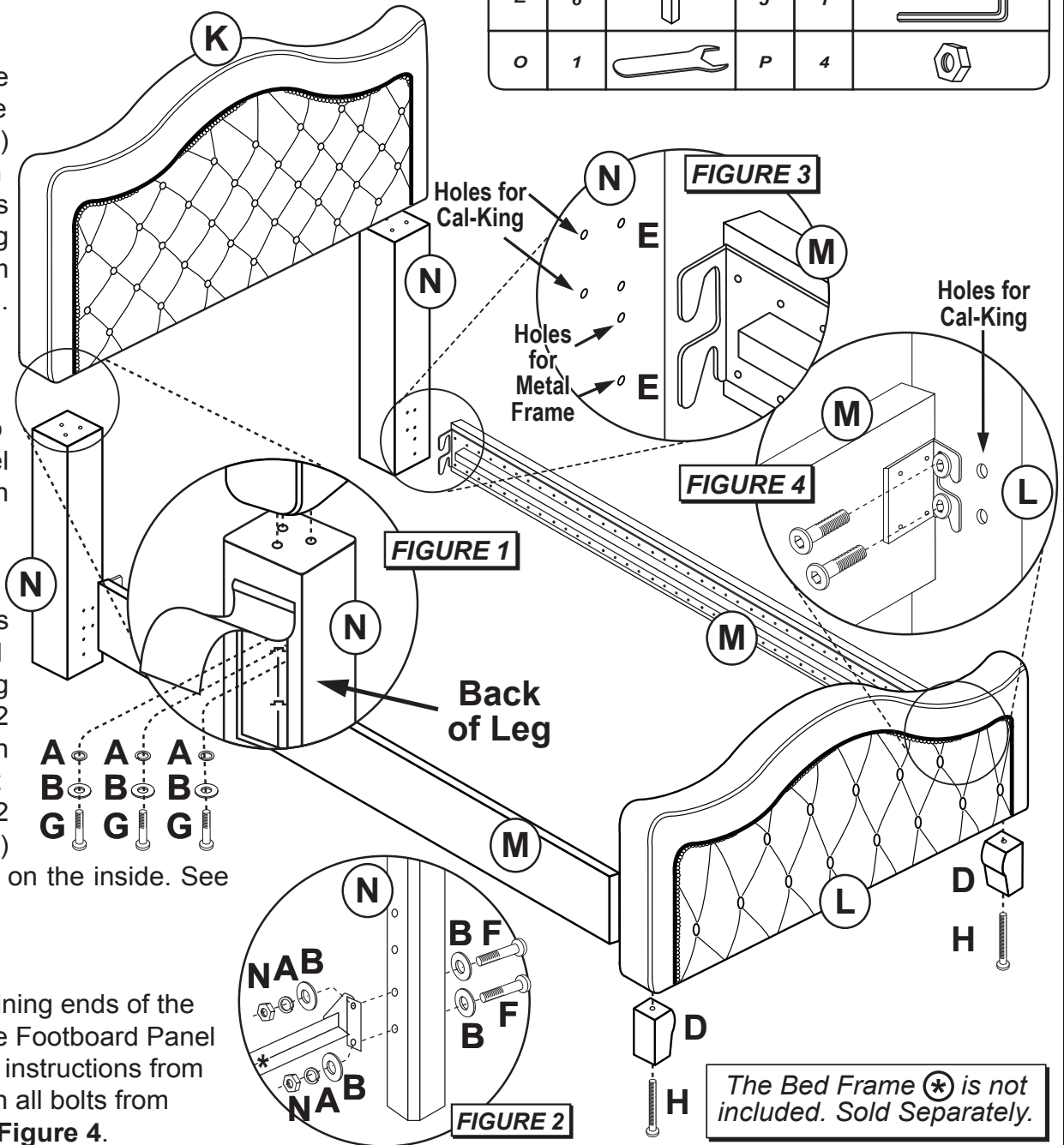
Attach the Feet (D) to the Footboard Panel (L) with 2 Long Allen Bolts (H).

STEP 3

Attach the Side Rails (M) to the Headboard Legs using 2 Long Allen Bolts (H) and 2 Flat Washers (B) on the outside and 2 Flat Washers (B), 2 Spring Washers (A) and 2 Hex Nuts (P) on the inside. See **Figures 2 and 3**.

STEP 4

Assemble the remaining ends of the Side Rails (M) to the Footboard Panel (L) by repeating the instructions from Step 2. Next tighten all bolts from steps 2 and 3. See **Figure 4**.



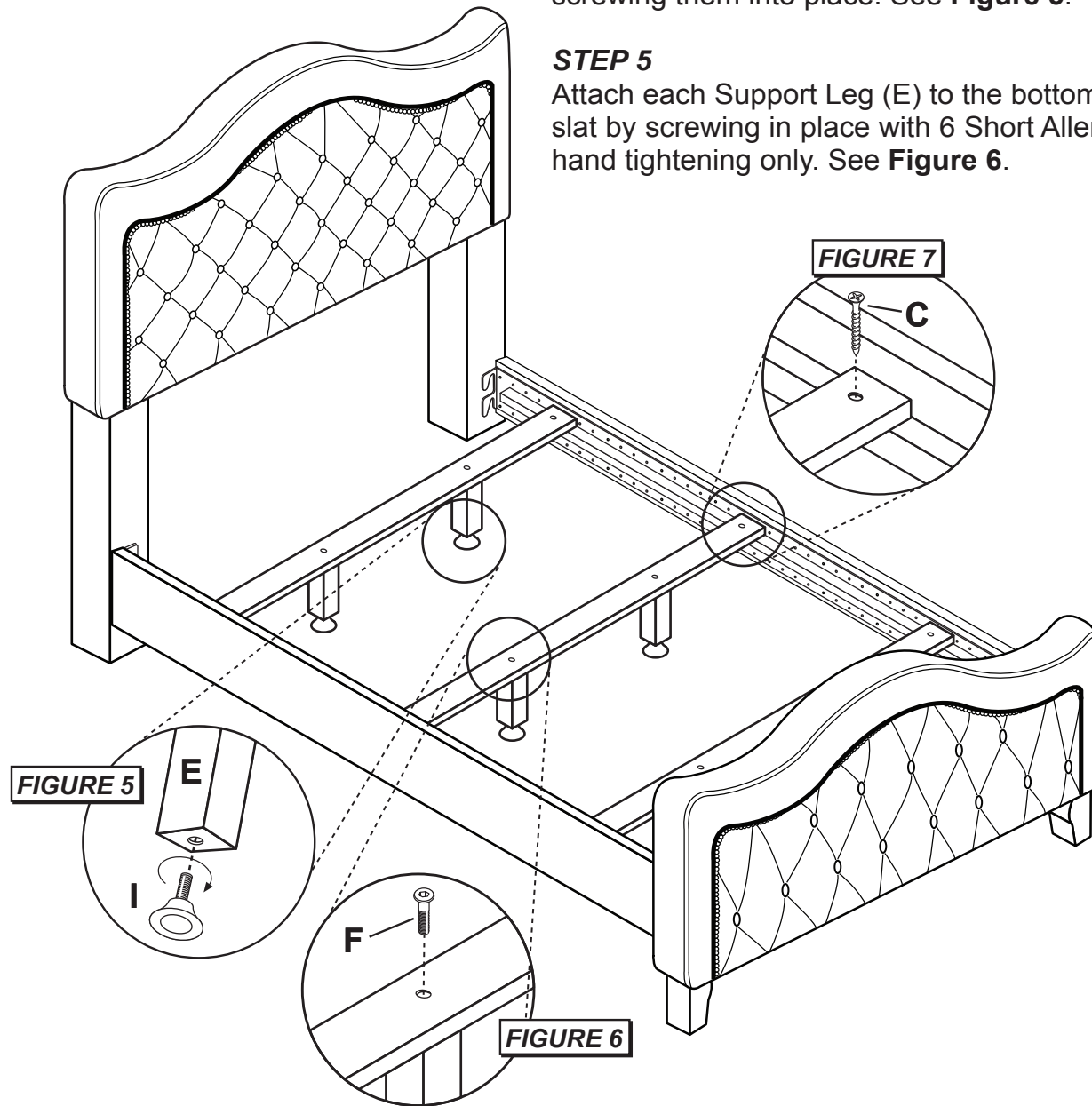
Examine all packaging material for small parts that may have come loose during shipment. Periodic checks are recommended to insure that all components are in proper position, tight and free from damage. Keep this assembly instruction for future reference. Adult assembly is required. Customer Service Phone Number: 502-562-0000

STEP 4

Attach the Adjustable Feet (I) to the Support Legs (E) by screwing them into place. See **Figure 5**.

STEP 5

Attach each Support Leg (E) to the bottom of each wood slat by screwing in place with 6 Short Allen Bolts (F) and hand tightening only. See **Figure 6**.



STEP 6

Once in place, secure each wood slat to the inside of each Side Rail (M) by aligning holes and securing in place with 1 Wood Screw (C) per each end. Tighten screws only using a philips head screwdriver (not included), but do not over-tighten. See **Figure 7**. The assembly is now complete.