











Examine all packaging material for small parts that may have come loose during shipment. Periodic checks are recommended to insure that all components are in proper position, tight and free from damage. Keep this assembly instruction for future reference. Adult assembly is required. The product of Hillsdale Furniture, LLC is designed for residential use only. Customer Service Phone Number: 502-562-0000

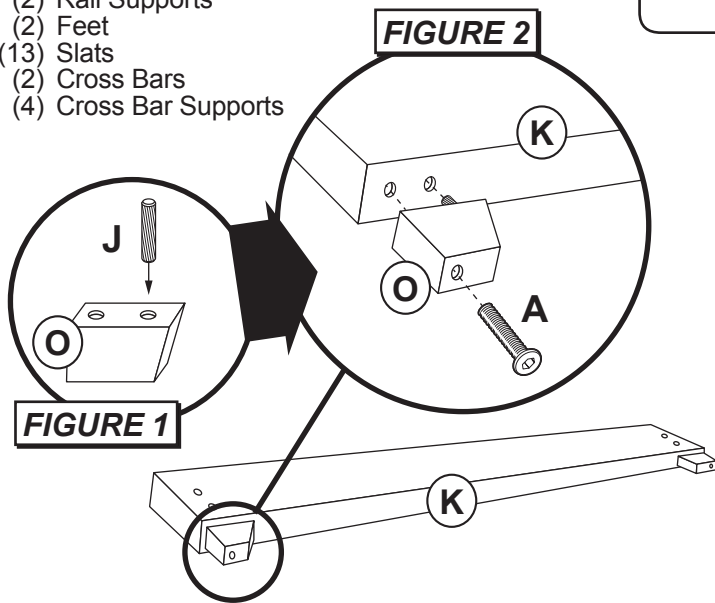
HARDWARE LIST

- A (2) M6 x 40mm Allen Bolts
- B (8) M6 x 35mm Allen Bolts
- C (10) M3.5 x 32 Wood Screws
- D (8) M8 x 20mm Allen Bolts
- E (4) M6 x 50 Allen Bolts
- F (1) M4 x 100 Allen Wrench
- G (1) M5 x 65 Allen Wrench
- H (16) Flat Washers
- I (16) Spring Washers
- J (2) Wood Dowels

PART	QTY	HARDWARE	PART	QTY	HARDWARE
A	2		B	8	
C	10		D	8	
E	4		F	1	
G	1		H	16	
I	16		J	2	

PARTS LIST

- K (1) Footboard
- L (2) Left Side Rails
- M (2) Right Side Rails
- N (2) Rail Supports
- O (2) Feet
- P (13) Slats
- Q (2) Cross Bars
- R (4) Cross Bar Supports



STEP 1 - Figure 1

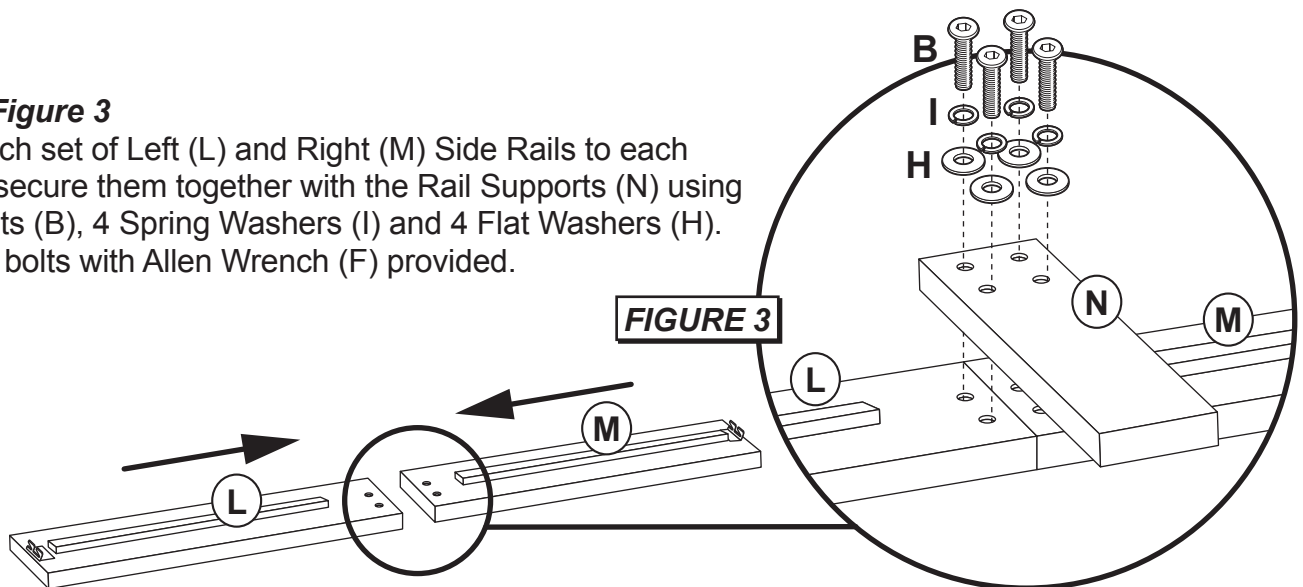
Begin assembly by inserting 1 Wood Dowel (J) into each Foot (O) on the angled side. Lightly hammer dowels to make sure they are in tightly (hammer not included).

STEP 2 - Figure 2

Next attach Feet (O) to Footboard (K) by inserting the dowel in the inside hole and securing with 1 Allen Bolt (A) per foot. Tighten bolts with Allen Wrench (F) provided.

STEP 3 - Figure 3

Line up each set of Left (L) and Right (M) Side Rails to each other and secure them together with the Rail Supports (N) using 4 Allen Bolts (B), 4 Spring Washers (I) and 4 Flat Washers (H). Tighten all bolts with Allen Wrench (F) provided.



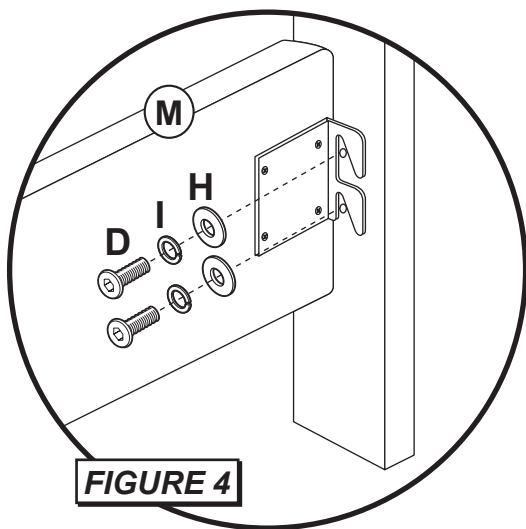
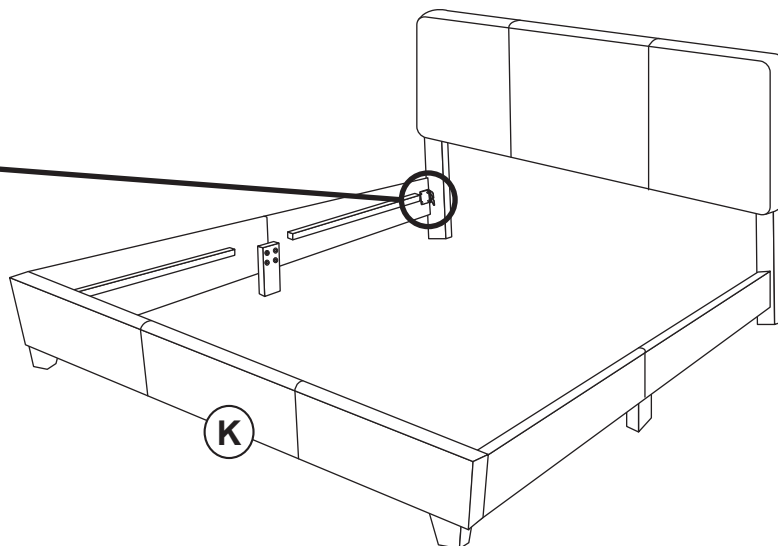


FIGURE 4



STEP 4 - Figure 4

Attach Side Rails (L & M) to Headboard and Footboard (K) using 2 Allen Bolts (D), 2 Spring Washers (I) and 2 Flat Washers (H) per side. Tighten all bolts with Allen Wrench (G) provided.

STEP 5 - Figure 5

Attach center Slat (P) to Rail Supports (N) using 1 Wood Screw (C) per side. Tighten screws with Phillips head screwdriver (not included).

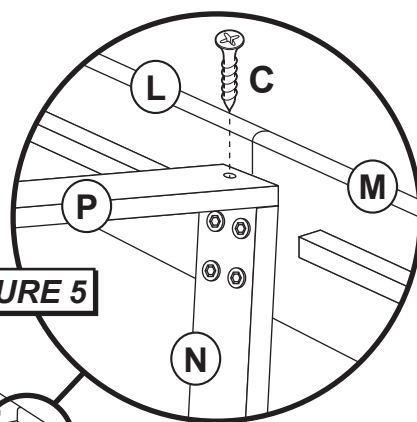
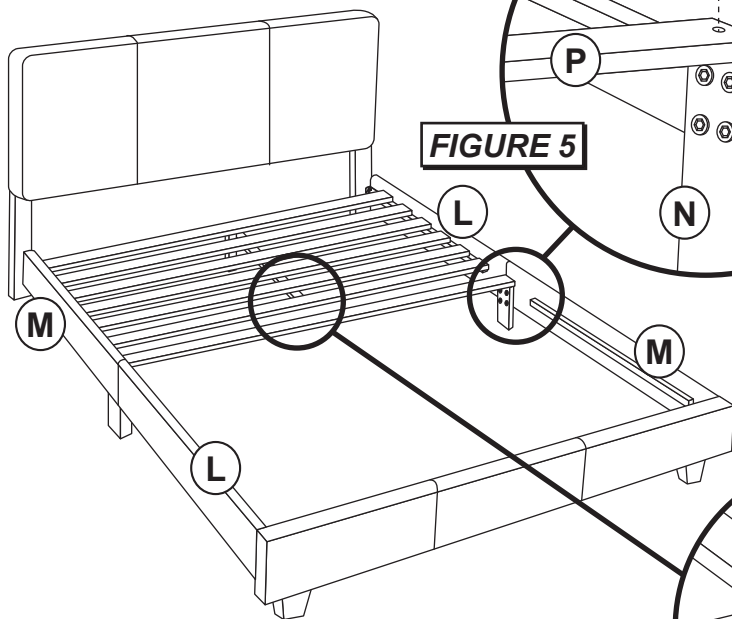


FIGURE 5



STEP 6 - Figure 6

Attach 2 Cross Bars (Q) to 4 Cross Bar Supports (R) securing through Slats (P) with Allen Bolts (E). Tighten all bolts with Allen Wrench (F) provided. The assembly is now complete.

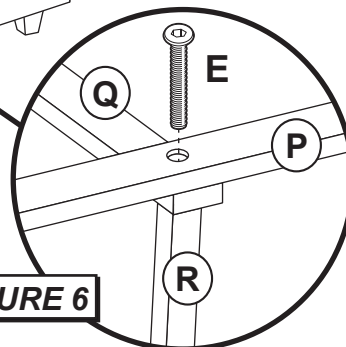


FIGURE 6