

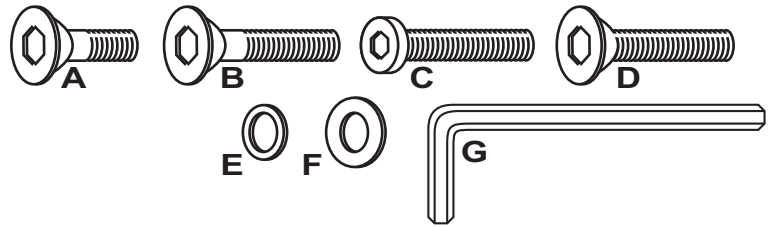
Examine all packaging material for small parts that may have come loose during shipment. Periodic checks are recommended to insure that all components are in proper position, tight and free from damage. Keep this assembly instruction for future reference. Adult assembly required. Online Parts Request Form: www.hillsdalehouse.com/parts_request.html

HARDWARE LIST

- A (10) Short Bolts
- B (4) Long Bolts
- C (2) Large Allen Bolts
- D (4) Counter Sunk Bolts
- E (6) Spring Washers
- F (6) Metal Washers
- G (1) Allen Wrench

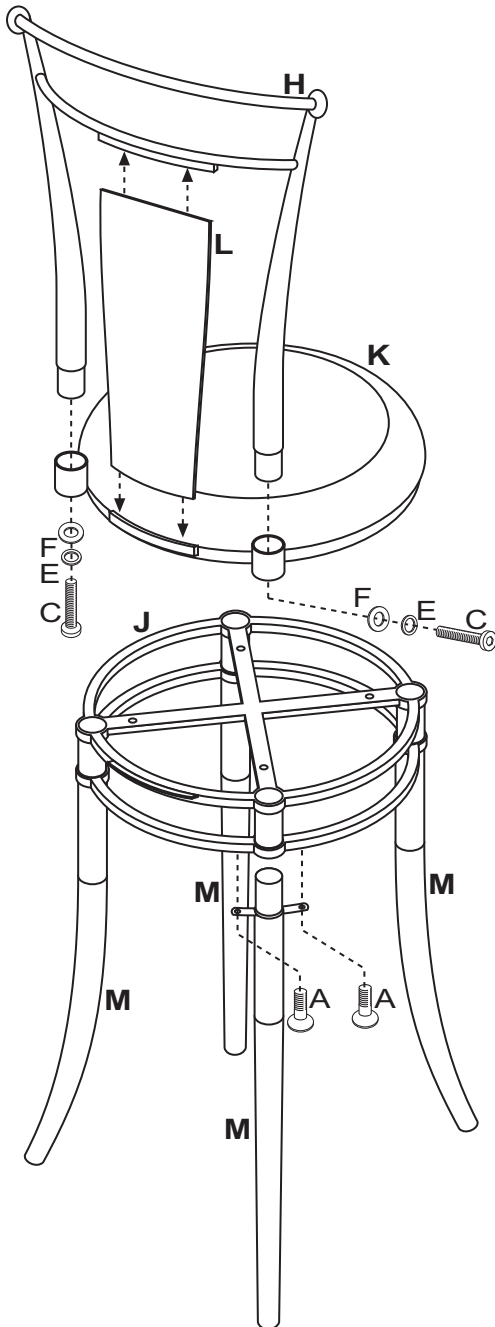
PARTS LIST

- H (1) Stool Back
- J (1) Stool Base
- K (1) Seat Base
- L (1) Back Support
- M (4) Legs
- N (1) Lower Ring



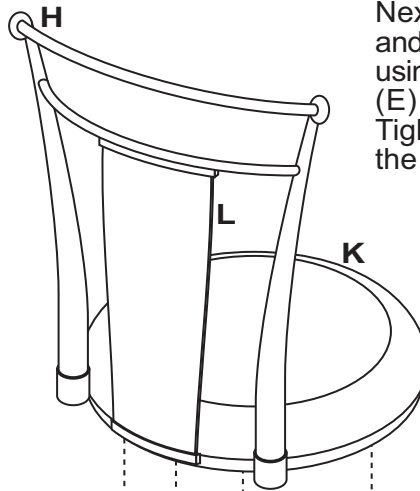
STEP 1

Begin assembly by attaching each Leg (M) to Stool Base (J), from the bottom side, using 2 Short Bolts (A) per each leg. Only hand tighten bolts for this step. See figure at the left.



STEP 2

Next, attach Stool Back (H) to Seat Base (K), and attach Back Support (L) in between. Attach using 2 Large Allen Bolts (C), 2 Spring Washers (E) & 2 Metal Washers (F) per each side. Tighten both bolts for this step. See Figure at the left.

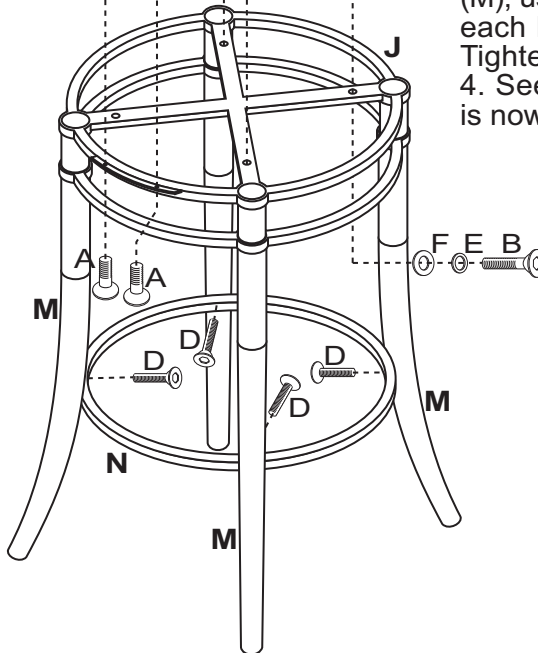


STEP 3

Attach Seat Base (K) to Stool Base (J), using 2 Short Bolts (A) in the back, and using 4 Long Bolts (B), 4 Spring Washers (E) & 4 Metal Washers (F) from the bottom side. Tighten all bolts for this step. See Figure at the right.

STEP 4

Attach Lower Ring (N) to each Leg (M), using 1 Counter Sunk Bolt (D) per each leg. Once each leg is in place, Tighten all bolts from both Steps 1 & 4. See Figure at the right. Assembly is now complete.



CARE & MAINTENANCE: The touch of a soft cloth is all the maintenance the finish of your new Stool will ever need. Never use harsh or abrasive cleaners for polishing. Periodic checks are recommended to make sure that all bolts, screws and nuts are securely tightened.