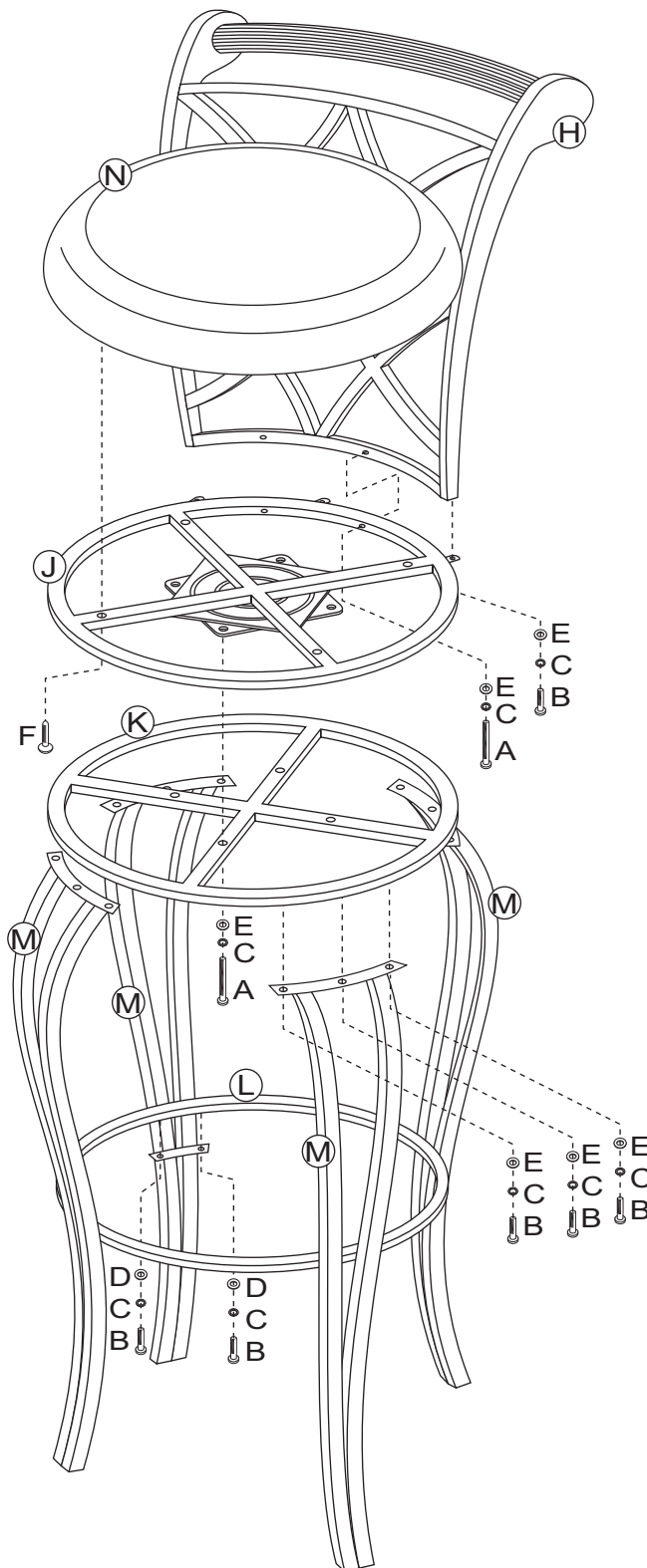
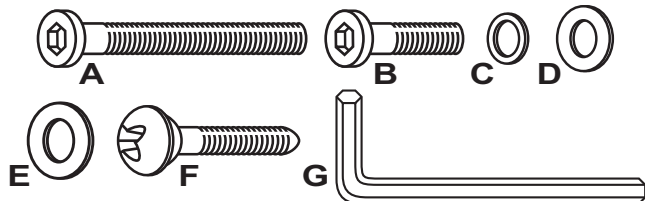


Examine all packaging material for small parts that may have come loose during shipment. Periodic checks are recommended to insure that all components are in proper position, tight and free from damage. Keep this assembly instruction for future reference. Adult assembly required. Online Parts Request: [parts.request@hillsdalefurniture.com](mailto:parts.request@hillsdalefurniture.com) - Customer Service Phone Number: 502-562-0000

**HARDWARE LIST**

**PARTS LIST**

- |                           |                    |
|---------------------------|--------------------|
| A (6) Long Allen Bolts    | H (1) Stool Back   |
| B (23) Short Allen Bolts  | J (1) Seat Base    |
| C (29) Spring Washers     | K (1) Base Ring    |
| D (8) Small Flat Washers  | L (1) Support Ring |
| E (21) Large Flat Washers | M (4) Legs         |
| F (4) Wood Screws         | N (1) Seat Cushion |
| G (1) Allen Wrench        |                    |



**STEP 1**

Begin assembly by first attaching each Leg (M) to the bottom of the Base Ring (K) using 3 Short Allen Bolts (B), 3 Spring Washers (C) & 3 Large Flat Washers (E) per each leg. Do not fully tighten bolts for this step.

**STEP 2**

Next, attach Support Ring (L) to each Leg (M) using 2 Short Allen Bolts (B), 2 Spring Washers (C) & 2 Small Flat Washers (D) per each leg. Tighten all bolts from Steps 1 & 2 using the Allen Wrench (G) provided.

**STEP 3**

Attach Stool Back (H) to Seat Base (J), first using 2 Long Allen Bolts (A), 2 Spring Washers (C) & 2 Large Flat Washers (E) from the inside. Do not fully tighten bolts.

Also, secure in place using 3 Short Allen Bolts (B), 3 Spring Washers (C) & 3 Large Flat Washers (E) in the back, one per each metal tab. Tighten all bolts.

**STEP 4**

Attach Seat Cushion (N) to Seat Base (J) using 4 Wood Screws (F) to hold in place. Only use a phillips head screwdriver (not included) to tighten screws.

**STEP 5**

Attach Seat Base (J) to the Base Ring (K) using 4 Long Allen Bolts (A), 4 Spring Washers (C) & 4 Large Flat Washers (E) to hold in place. Tighten all bolts. The assembly of your new stool is now complete.

**CARE & MAINTENANCE:** The touch of a soft cloth is all the maintenance the finish will ever need. Please do not use harsh or abrasive cleaners for polishing, as they may cause damage to the finish. Periodic checks are recommended to make sure that all bolts, screws and nuts are securely tightened.