

REDDING HEADBOARD

Model #799-7976 (1014-340) Twin Size
Model #799-7984 (1014-660) King Size

Customer Service
Phone Number:
502 562-0000
11-08-04

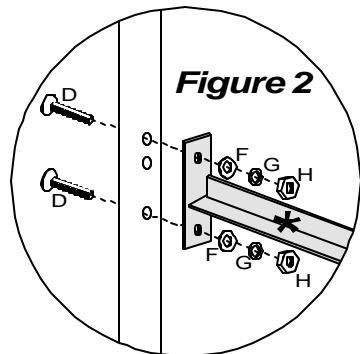
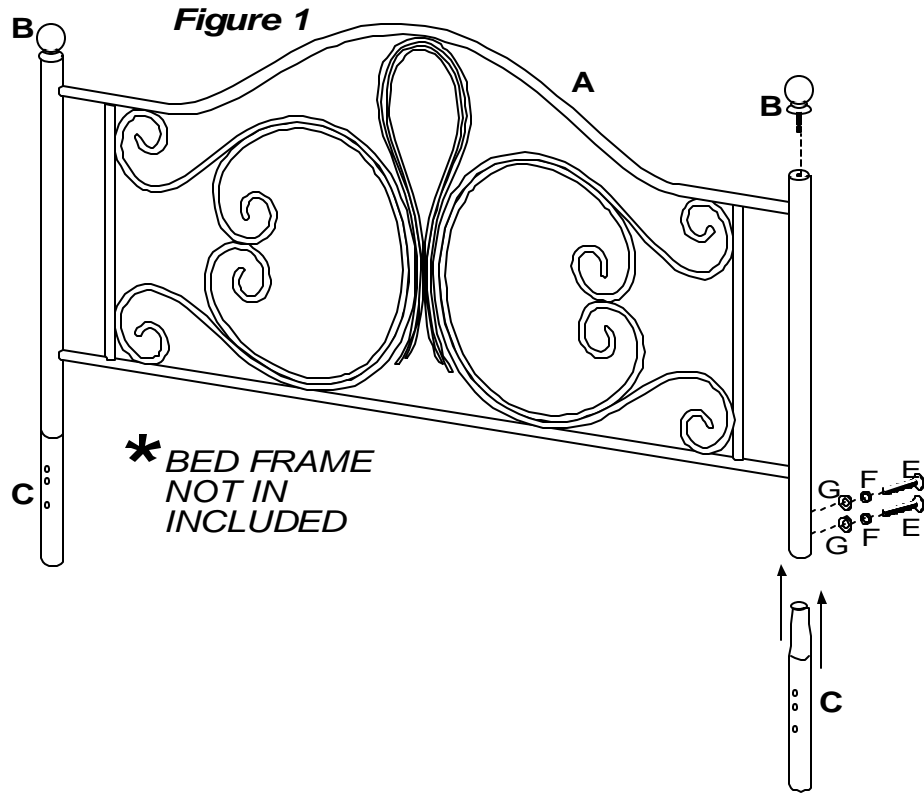
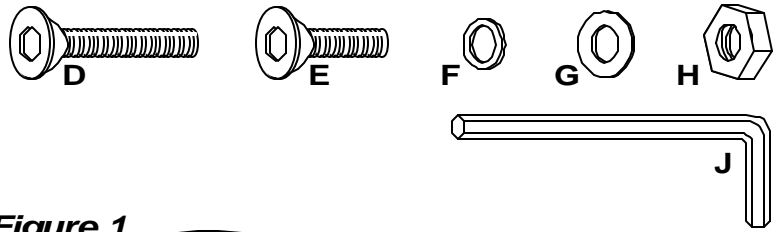
Examine all packaging material for small parts that may have come loose during shipment. Periodic checks are recommended to insure that all components are in proper position, tight and free from damage. Keep this assembly instruction for future reference. Adult assembly required. Online Parts Request Form: www.hillsdalehouse.com/parts_request.html

PARTS LIST

- A (1) Headboard Panel
- B (2) Finials
- C (2) Leg Extensions

HARDWARE LIST

- D (4) Long Allen Bolts
- E (4) Short Allen Bolts
- F (8) Spring Washers
- G (8) Metal Washers
- H (4) Hex Nuts
- J (1) Allen Wrench



STEP 1

Begin assembly by first attaching each Finial (B) to top of each post on Headboard Panel (A), by screwing into place. See Figure 1. Do not over-tighten as it may cause stripping to the threads.

STEP 2

Attach each Leg Extension (C) to Headboard Panel (A), using 2 Short Allen Bolts (E), 2 Spring Washers (F) & 2 Metal Washers (G) per each side. Tighten All Bolts. See Figure 1.

STEP 3

Attach Bed Frame (*Not Included) to each Leg Extension (C), using 2 Long Allen Bolts (D), 2 Spring Washers (F), 2 Metal Washers (G) & 2 Hex Nuts (H) per each side. Tighten All Bolts & Nuts. See Figure 2. The assembly is complete.

CARE & MAINTENANCE: The touch of a soft cloth is all the maintenance the finish will ever need. Please do not use harsh or abrasive cleaners for polishing, as they may cause damage to the finish. Periodic checks are recommended to make sure that all bolts, screws and nuts are securely tightened.