

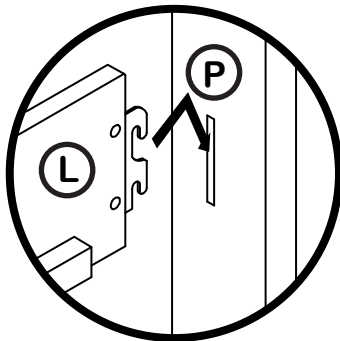
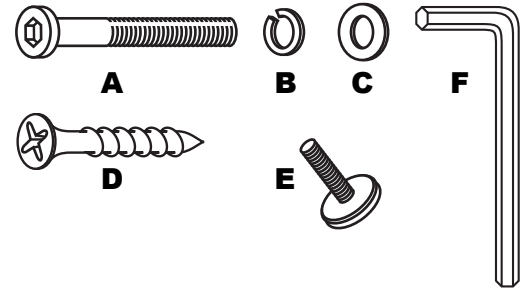
Examine all packaging material for small parts that may have come loose during shipment. Periodic checks are recommended to insure that all components are in proper position, tight and free from damage. Keep this assembly instruction for future reference. Adult assembly required. Online Parts Request: [parts.request@hillsdalefurniture.com](mailto:parts.request@hillsdalefurniture.com) - Customer Service Phone Number: 502-562-0000

**HARDWARE LIST**

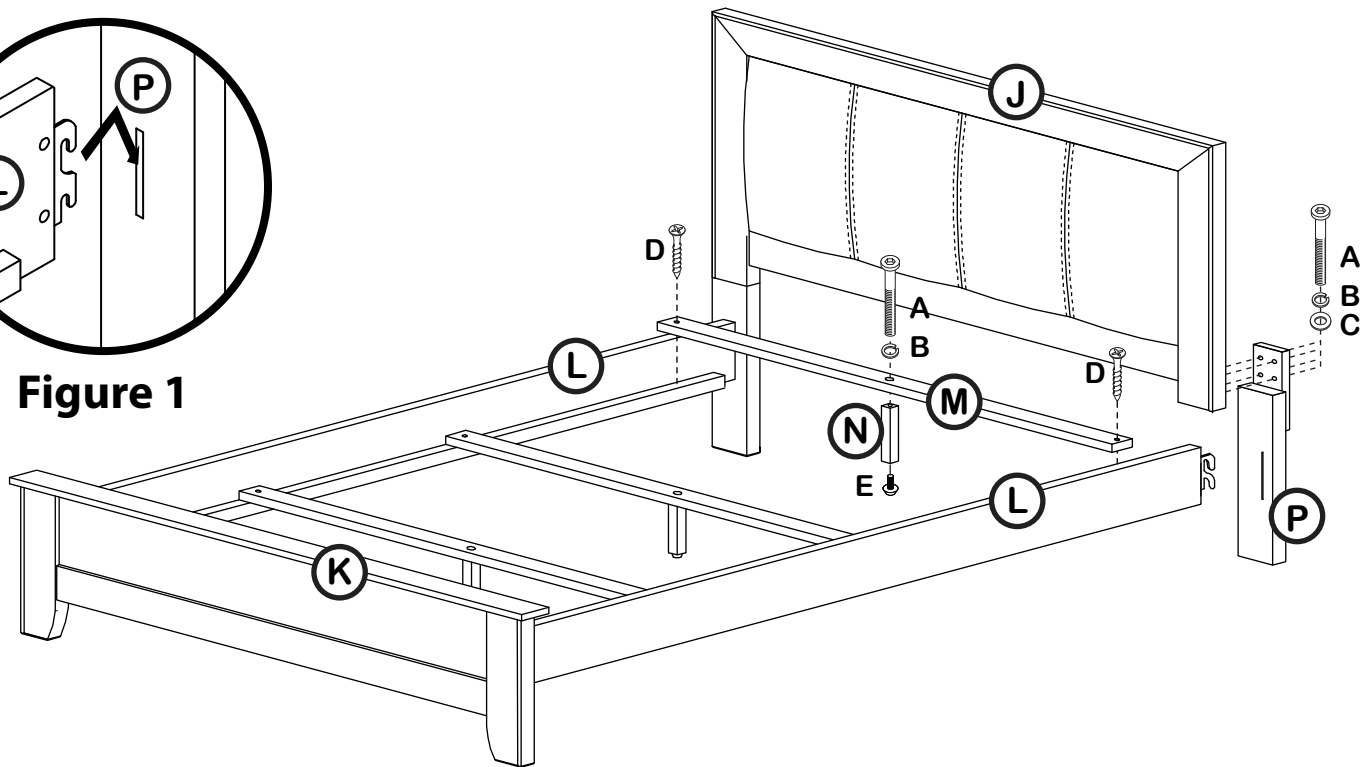
- A (11) Allen Bolts M6 x 35mm
- B (11) Spring Washers
- C (8) Flat Washer
- D (6) Wood Screws 32mm
- E (3) Adjustable Feet
- F (1) Allen Wrench

**PARTS LIST**

- J (1) Headboard Panel
- K (1) Footboard Panel
- L (2) Side Rails
- M (3) Wood Slats
- N (3) Wood Support Legs
- P (2) Leg Extensions



**Figure 1**



**STEP 1**

Begin assembly by attach the Leg Extensions (P) to Headboard Panel (J) by using 4 Allen Bolts (A), 4 Spring Washers (B) & 4 Flat Washers (C) per each leg. Tighten all bolts using the Allen Wrench (F) that has been provided.

**STEP 2**

Next attach each Side Rail (L) to each Leg Extension (P) by fitting teeth in place in the open slot. Repeat this step for attaching the Side Rails (L) to the posts on Footboard (K). Make sure each rail is tight in place. **See Figure 1.**

**STEP 3**

Insert each Adjustable Feet (E) into the open hole the bottom of Wood Support Leg (N) by firmly screwing in place. The height and balance of the Wood Slat (M) can be adjusted by turning each Adjustable feet to desired height.

**STEP 4**

Next attach each set of Wood Slat (M) to each Wood Support Leg (N) by using 1 Allen Bolt (A) and 1 Spring Washer (B). Tighten all Bolts.

**STEP 5**

Attach each set of Wood Slat (M) to inside of each Side Rail (L) using 1 Wood Screw (D) per each side. tighten all screws using a philips head screwdriver (not included). The assembly is now complete.