



**Pali Design, Inc.**

1525 Hymus Boul.  
 Dorval, QC  
 H9P-1J5 Canada  
 Phone: 1-514-421-0309

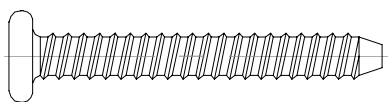
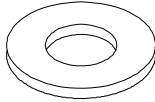
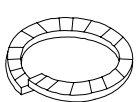

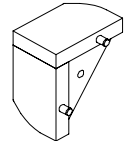
customerservice@pali-design.com

www.pali-design.com

# Assembly Instructions

## Torino Double Dresser

### Hardware Parts List

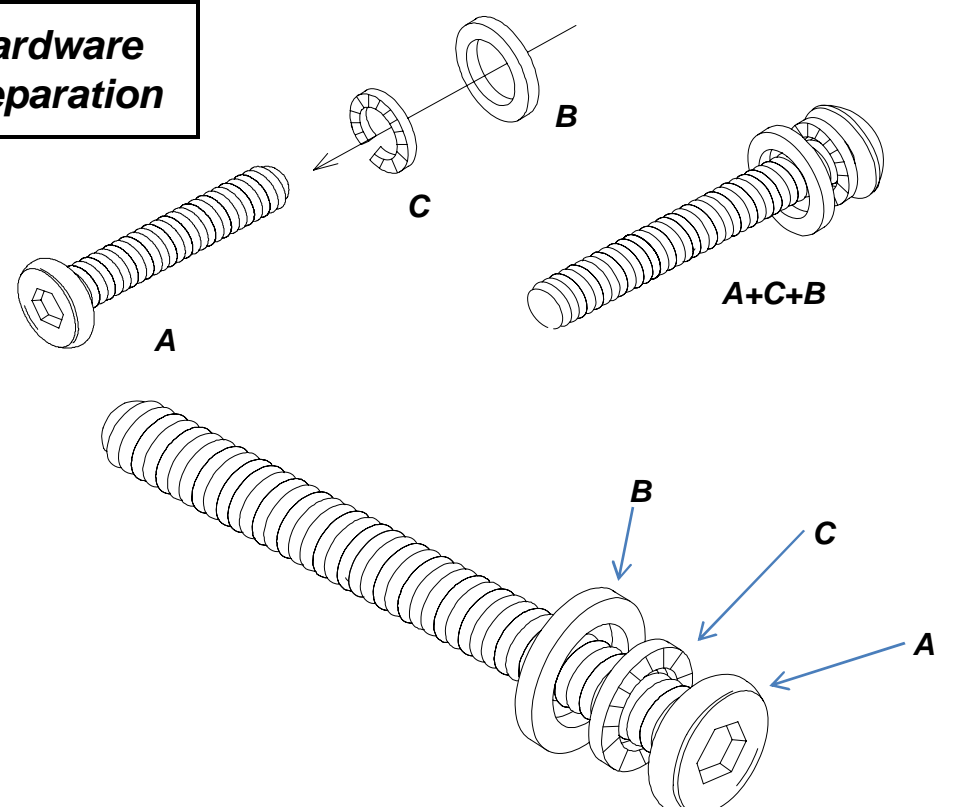
<b>A</b> Allenhead Bolt  <b>4x</b>	<b>B</b> Metal Washer  <b>4x</b>	
<b>C</b> Spring Washer  <b>4x</b>	<b>D</b> Allen Wrench  <b>1x</b>	
<b>Parts List:</b> <b>E</b> Foot  <b>4x</b>	<b>INSTRUCTION LEAFLET</b> <i>Important, keep for future reference. Read carefully.</i>	<b>Adult assembly is required.</b>

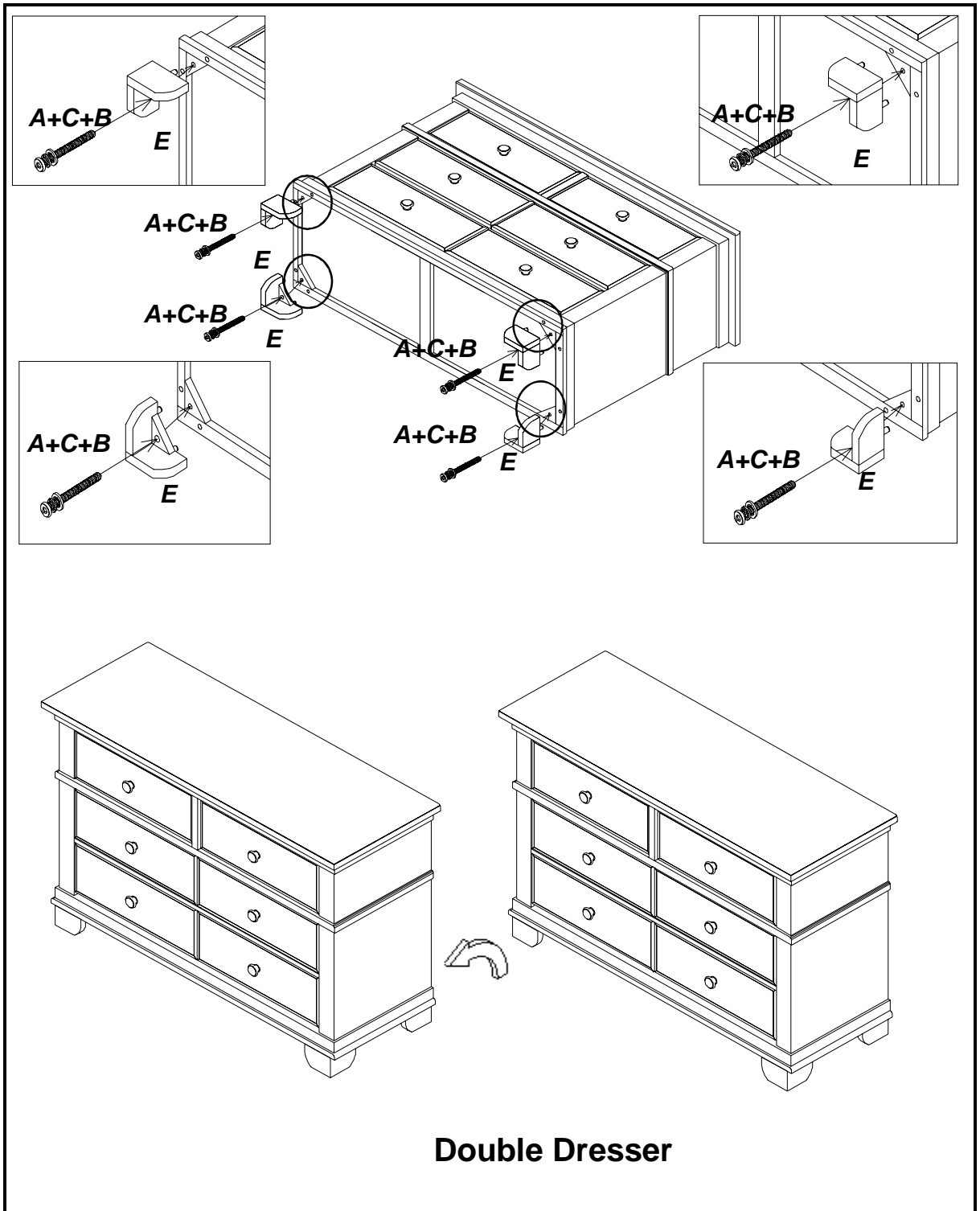
Double Dresser

Step 1

Assembling Torino Double Dresser

Hardware Preparation





**Double Dresser**



## CARE AND MAINTENANCE

When cleaning your furniture, please use a non-toxic, non-abrasive cleaner. Mix a solution of water with a small amount of mild dishwashing liquid. Apply to furniture surface with a soft, damp cloth lightly dampened in solution. After cleaning, dry completely with a soft, dry cloth.