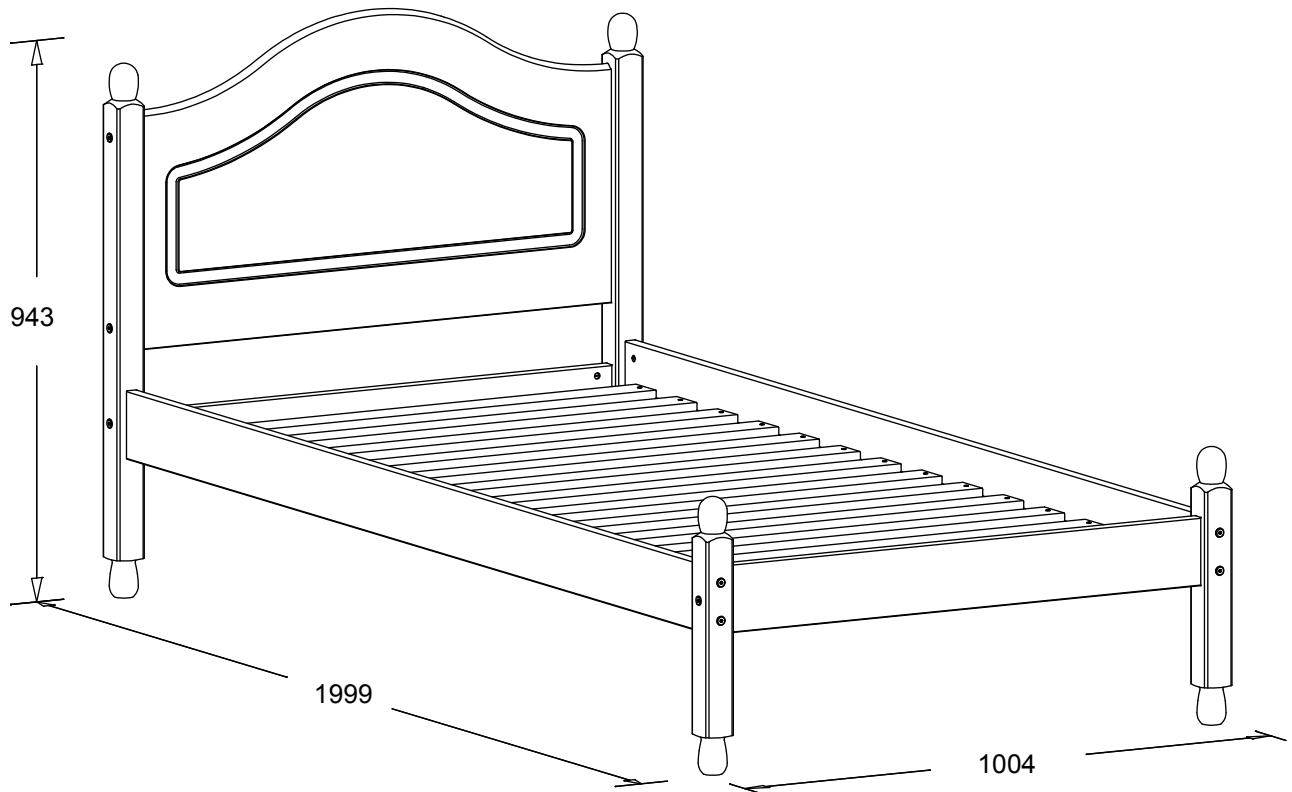
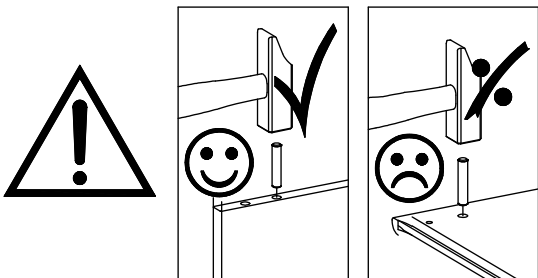


3' Bed

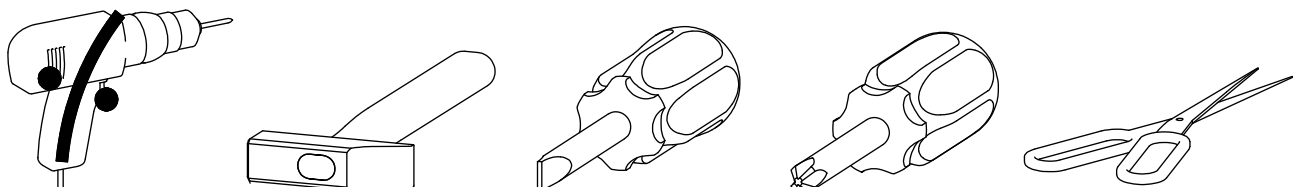
1013101

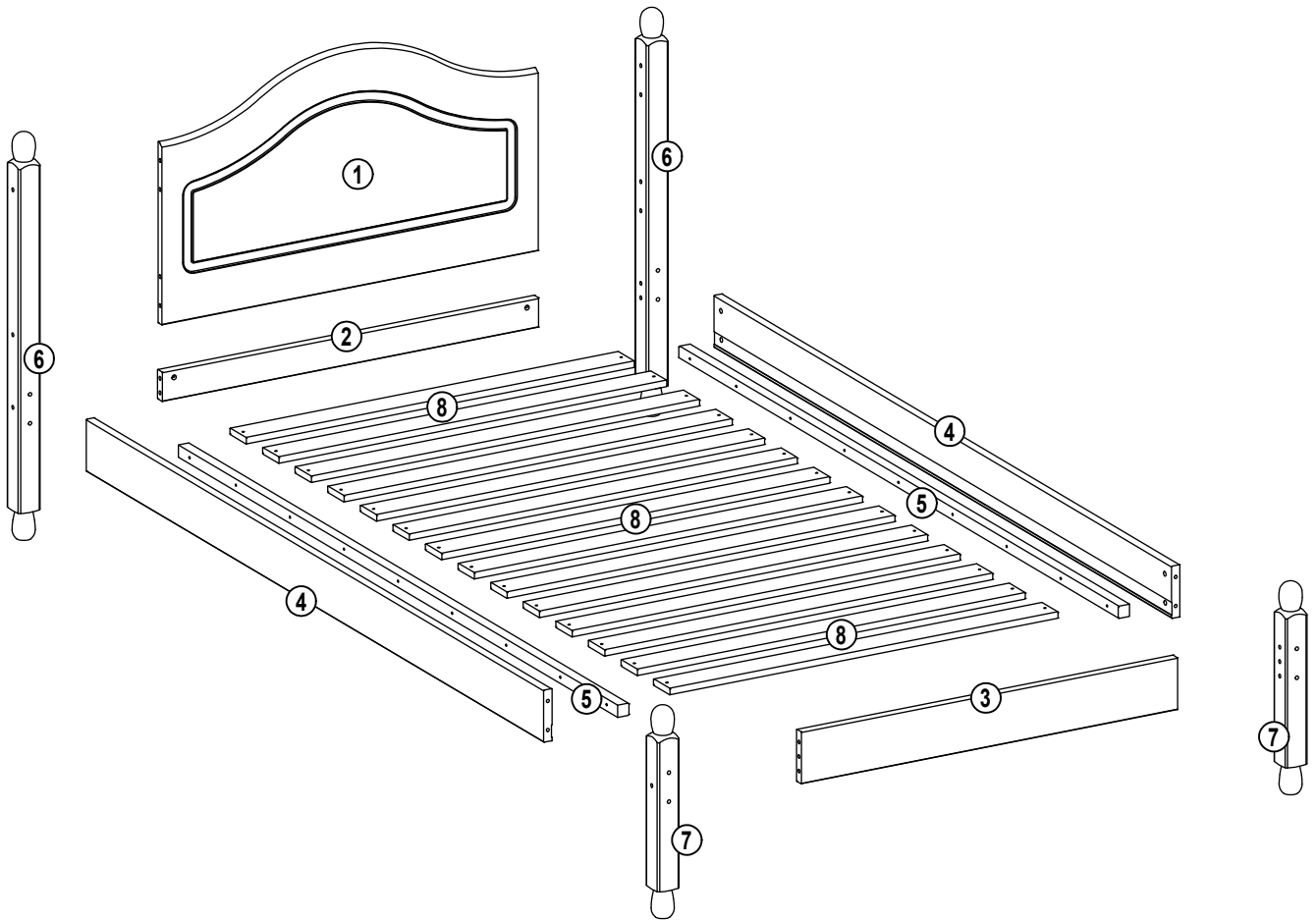






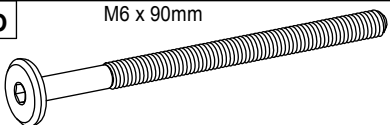

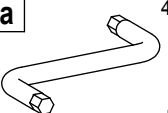
Important!



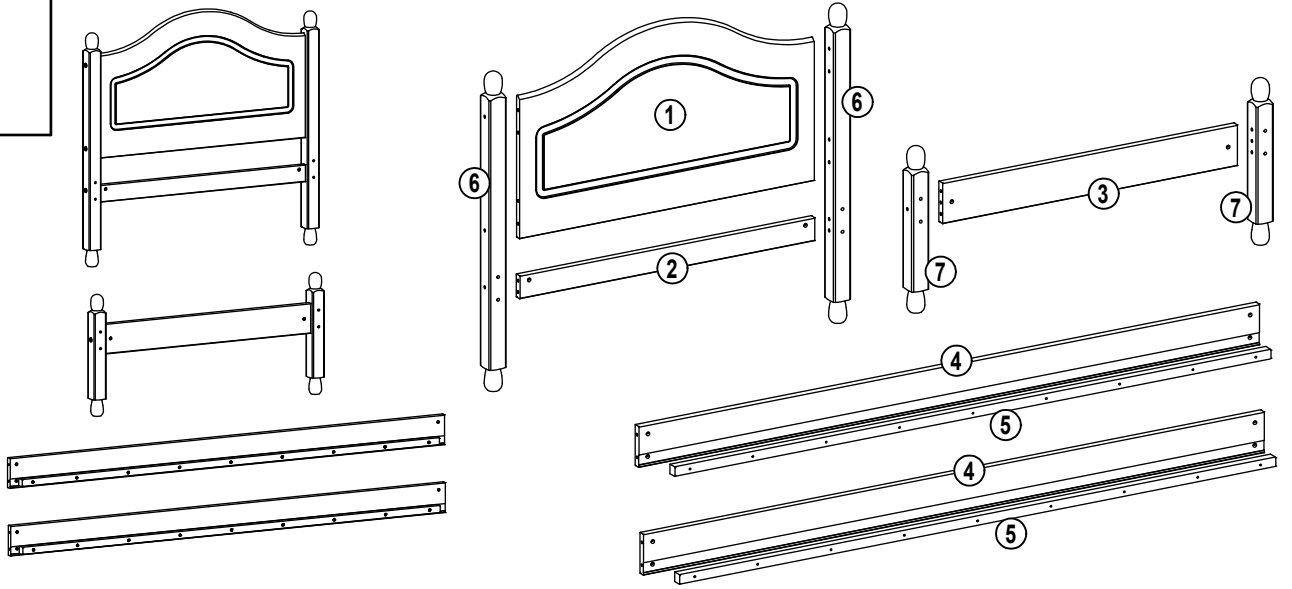
Please, read the assembly instruction carefully, before assembling.







Aa $\varnothing 7,8 \times 40\text{mm}$  10 x	Ba $\varnothing 3,5 \times 35\text{mm}$  28 x	Bh $\varnothing 4 \times 40\text{mm}$  18 x
Ea  2 x <small>D: Leim GB: Glue NL: Lijm PL: Klej TR: Tıkalı RU: Клей FR: Colle E: Pegamento CAT: Cola</small>	Ho M6 x 90mm  16 x	
Nf M6, $\varnothing 10 \times 12\text{mm}$  16 x	Ya 4mm  1 x	

1

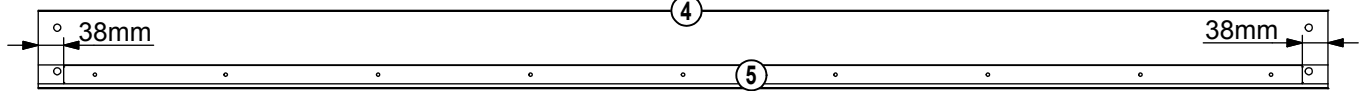
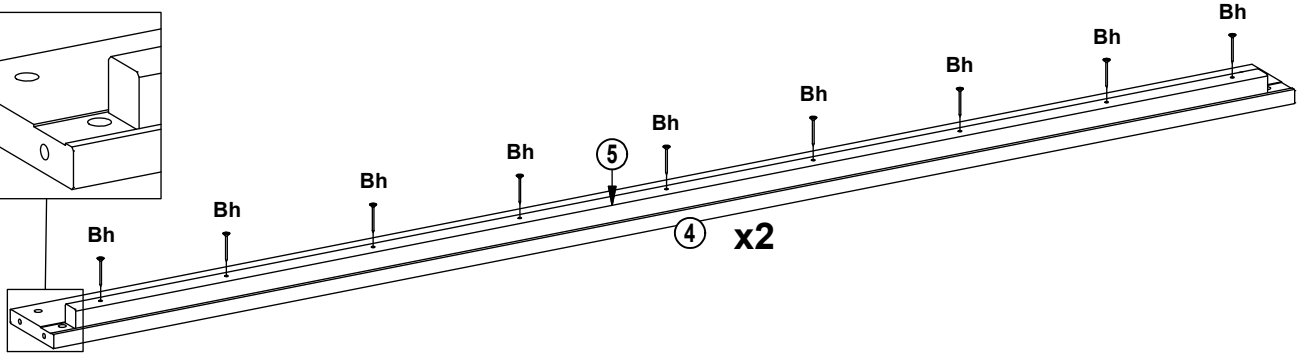
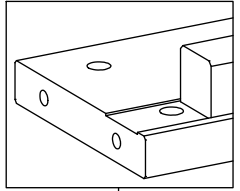
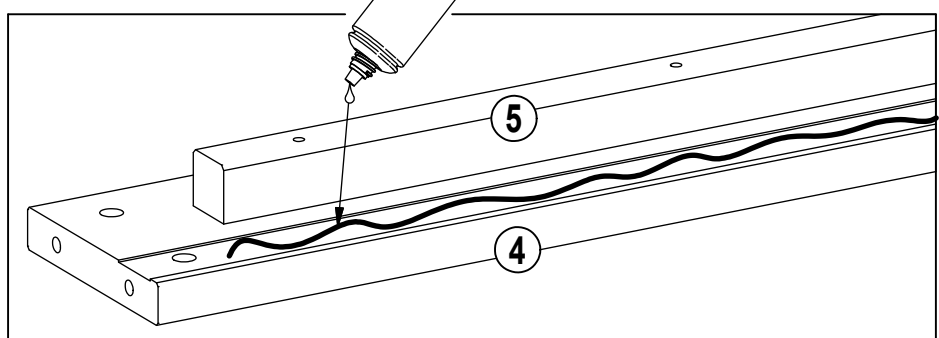
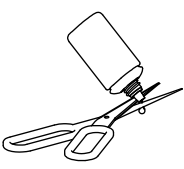
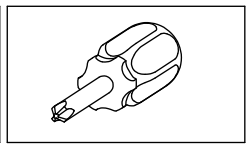
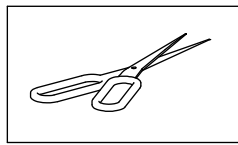


1.1


Bh $\varnothing 4 \times 40\text{mm}$

18 x

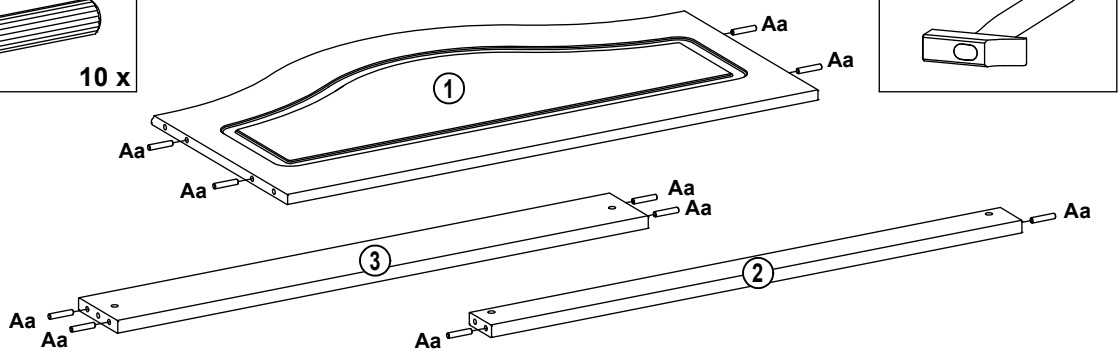
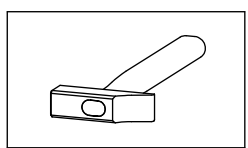
Ea

2 x

D Leim
 GB Glue
 NL Lijm
 PL Klej
 TR Tıkalı
 RU Клей
 FR Colle
 E Pégamento
 CAT Cola

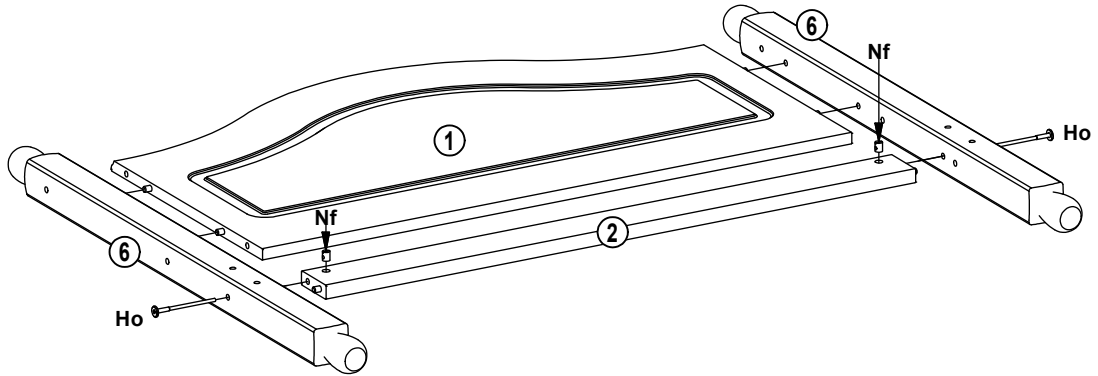
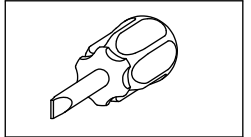
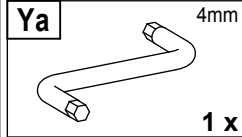
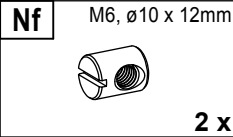
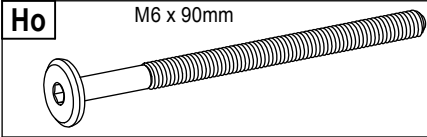


1.2

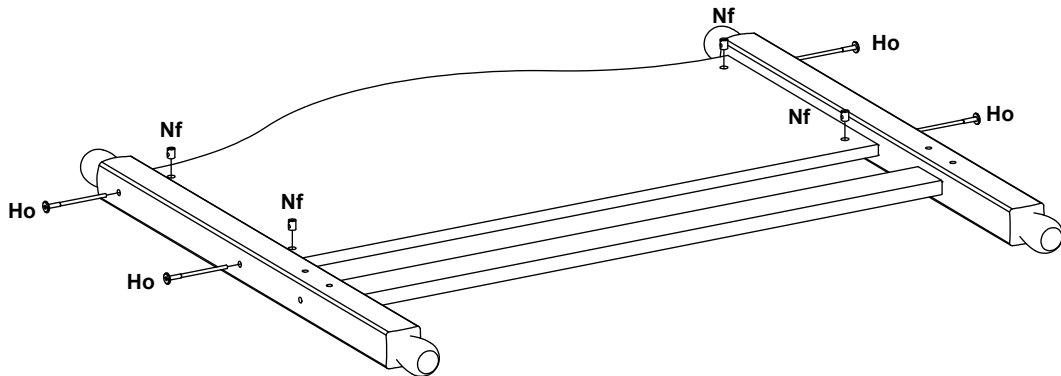
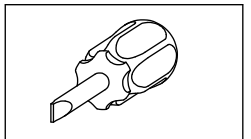
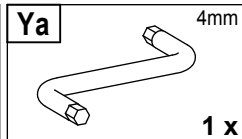
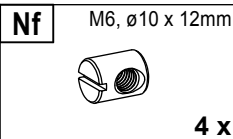
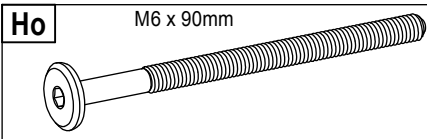
Aa $\varnothing 7,8 \times 40\text{mm}$

10 x



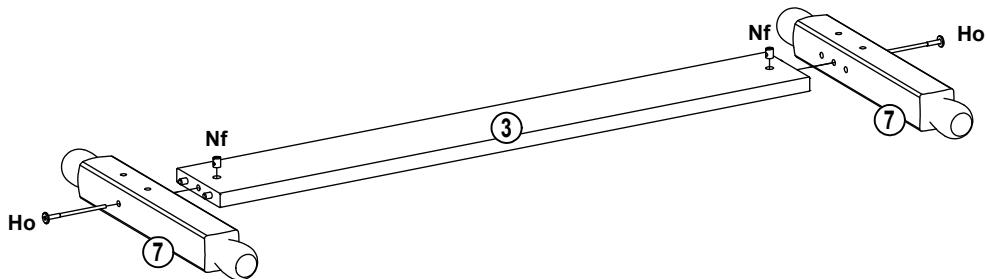
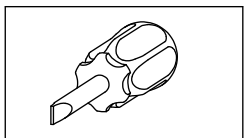
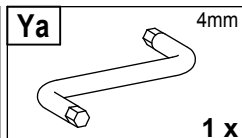
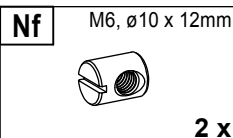
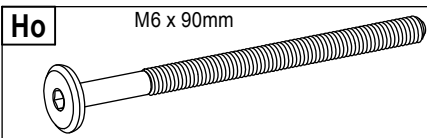
1.3



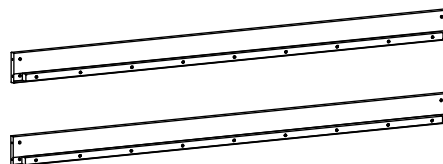
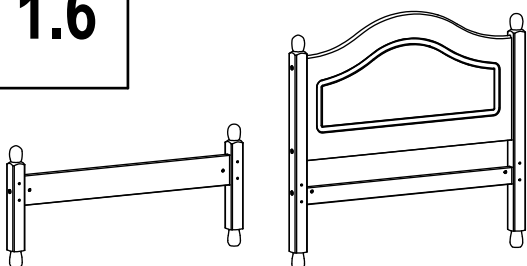
1.4



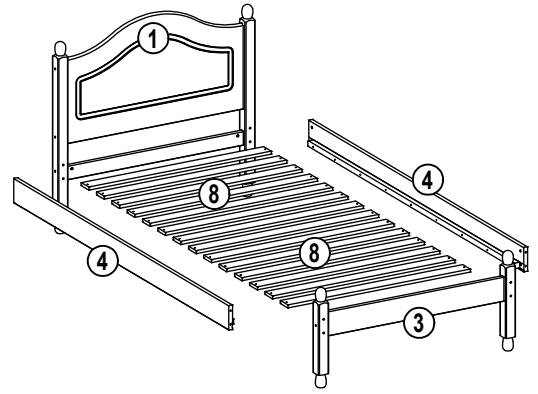
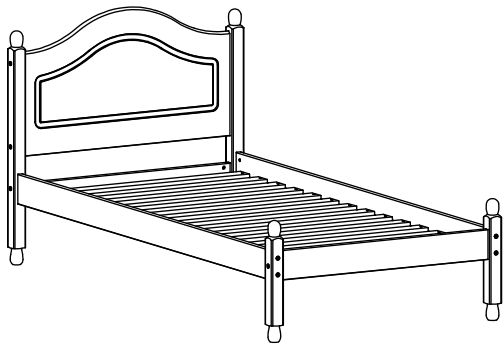
1.5



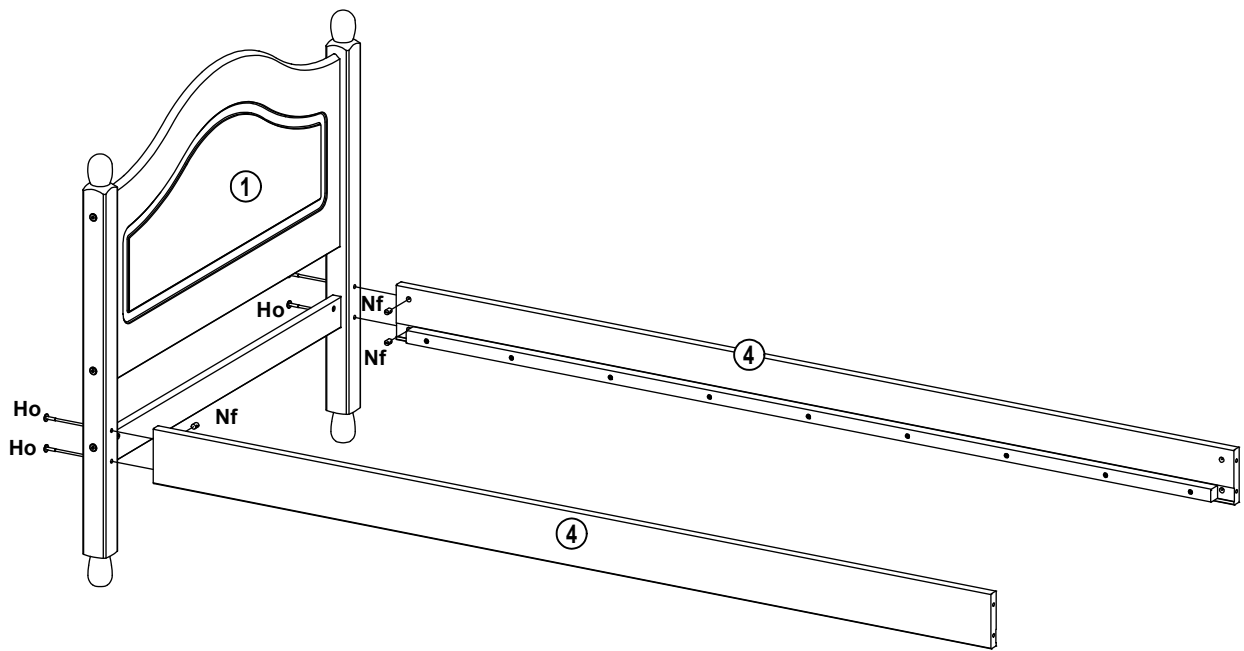
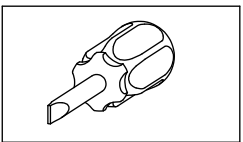
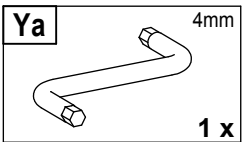
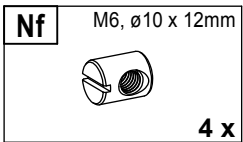
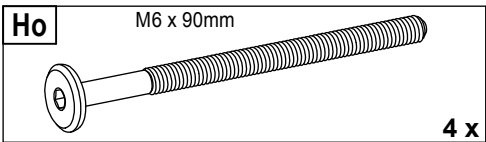
1.6



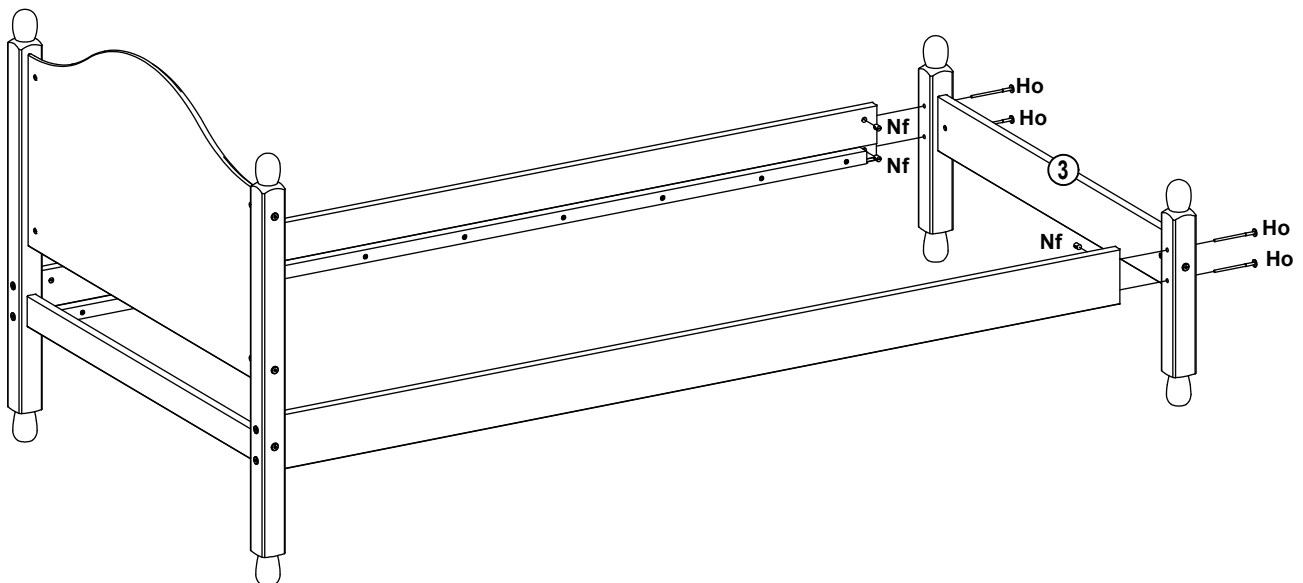
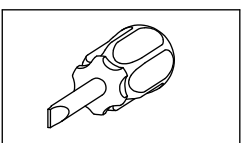
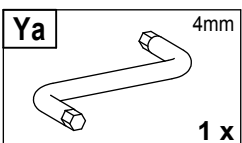
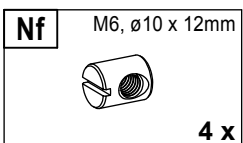
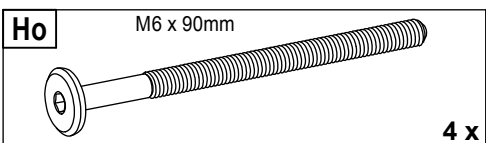
2



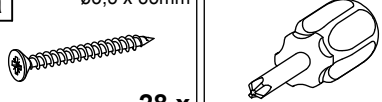
2.1

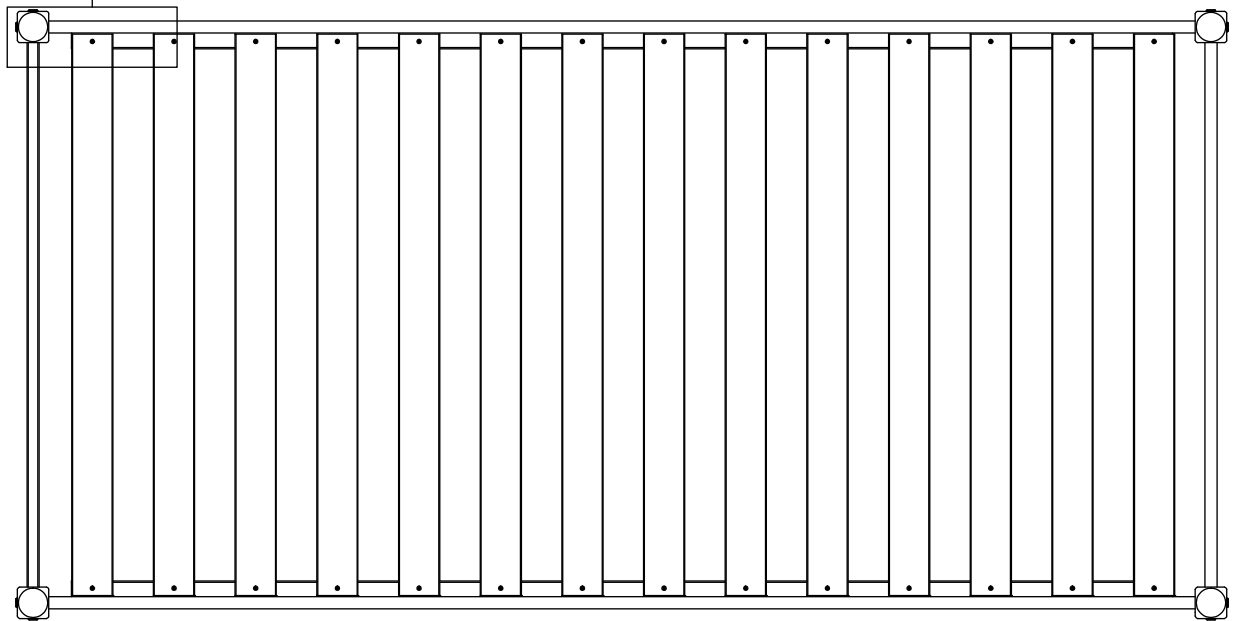
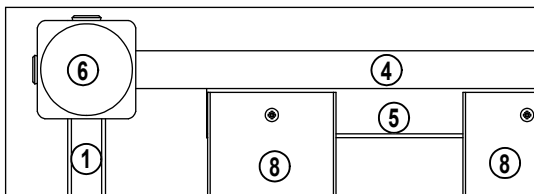
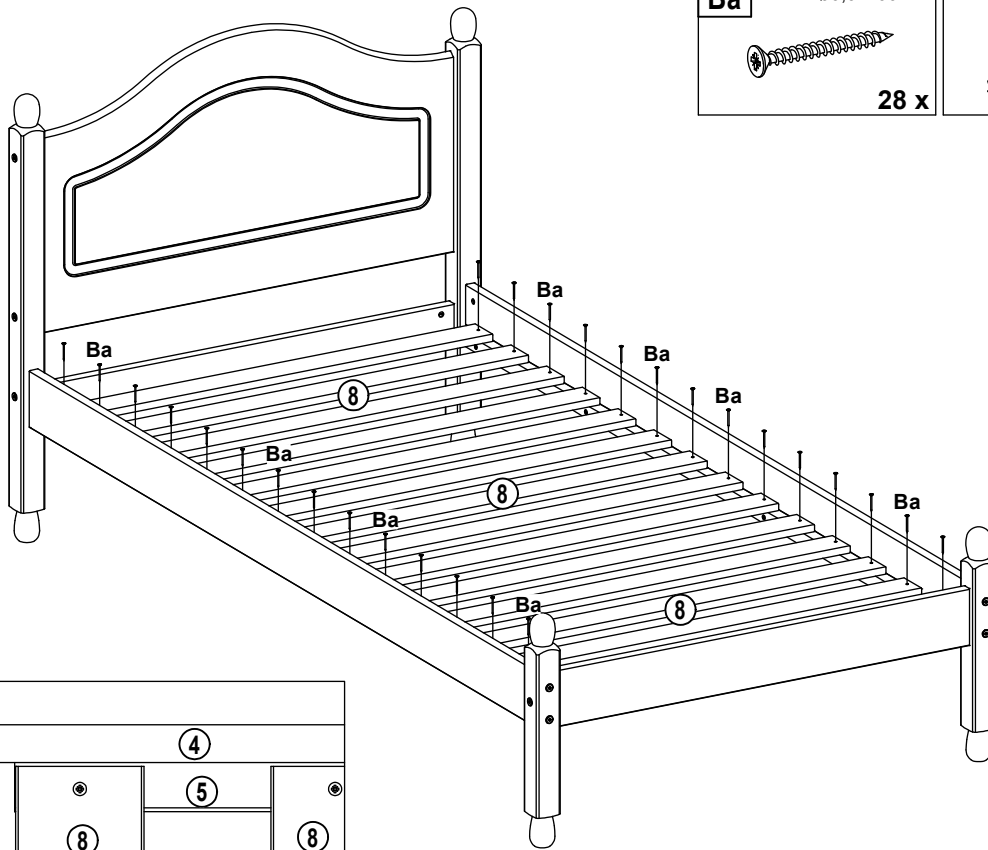


2.2



2.3

Ba	ø3,5 x 35mm	
	28 x	



2.4

