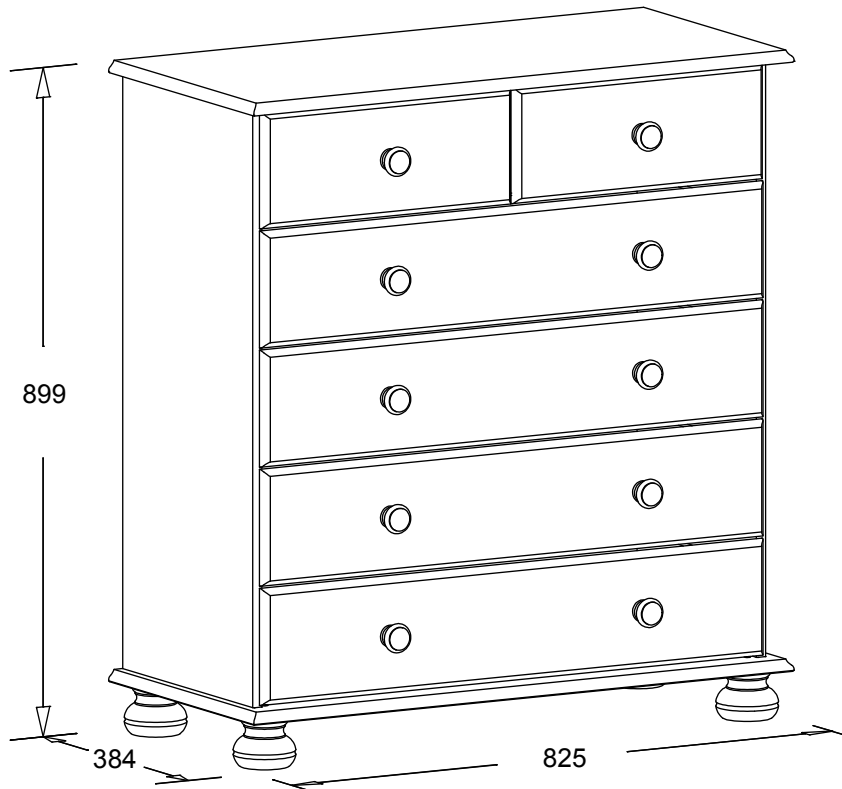
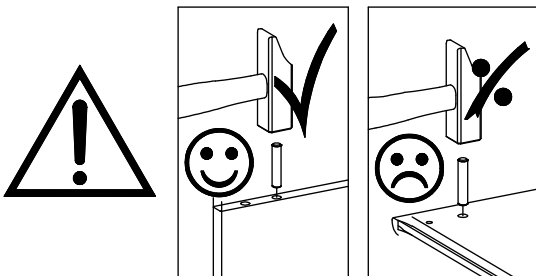


4+2 Drawer Chest

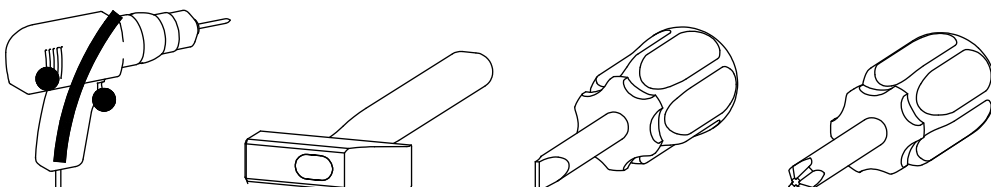
1010301

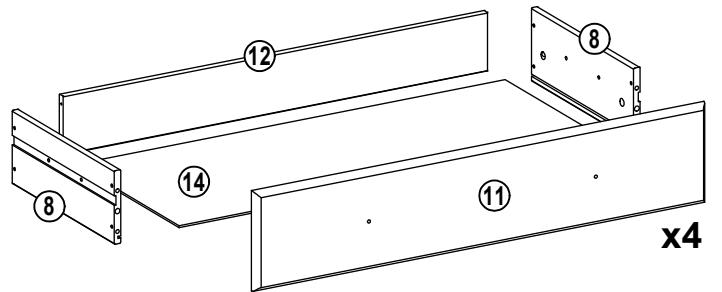
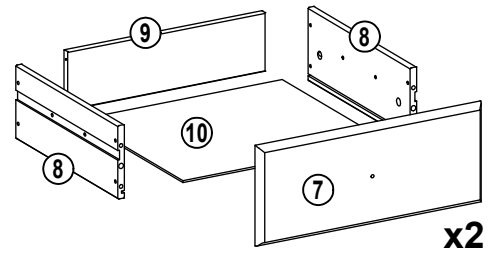
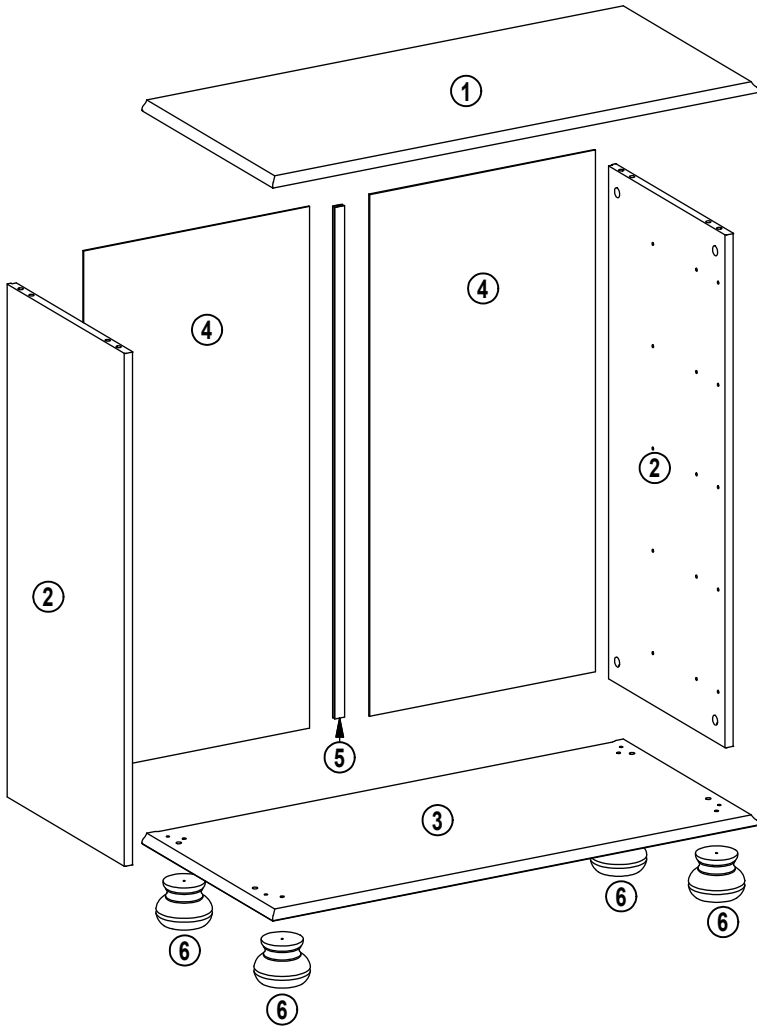


Important!



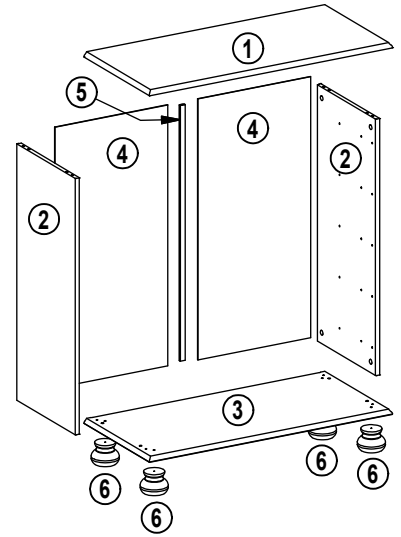
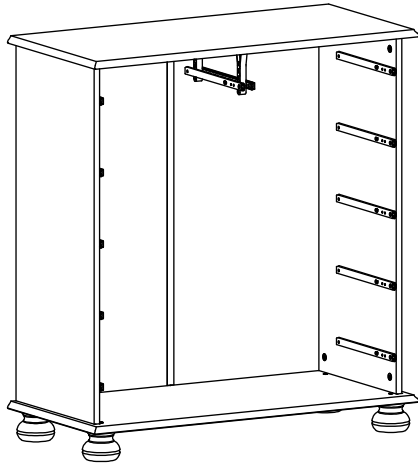
Please, read the assembly instruction carefully, before assembling.



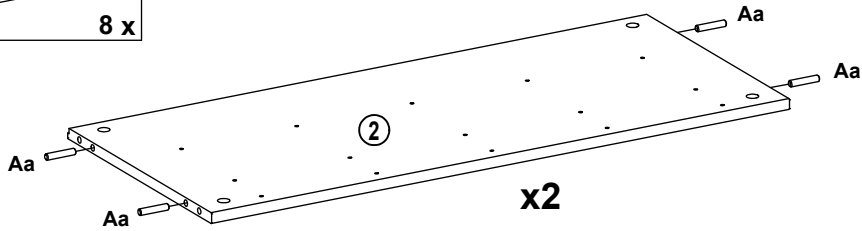
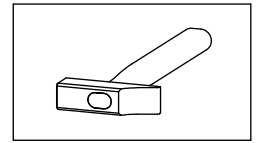
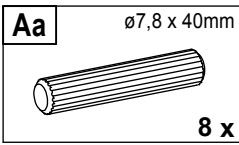


| | | | | |
|---|---|---|--|--|
| Aa $\varnothing 7,8 \times 40\text{mm}$ 8 x | Ab $\varnothing 6 \times 30\text{mm}$ 24 x | Ba $\varnothing 3,5 \times 35\text{mm}$ 24 x | Bc $\varnothing 3,5 \times 15\text{mm}$ 4 x | Bh $\varnothing 4 \times 40\text{mm}$ 4 x |
| Ca $\varnothing 15 \times 10,5\text{mm}$ 8 x | Cb $\varnothing 5 \times 8, \text{cc}34\text{mm}$ 20 x | Cq $\varnothing 12 \times 9,5\text{mm}$ 12 x | Di $1,2 \times 15\text{mm}$ 75 x | Gn $\varnothing 39 \times 30\text{mm}$ 10 x |
| Ha M4 x 10mm 12 x | Jc $\varnothing 4 \times 35\text{mm}$ 10 x | Kb $\varnothing 5,8 \times 8\text{mm}$ 34 x | Sk $246 \times 17 \times 10\text{mm}$ 12 x | Wb 2 x |

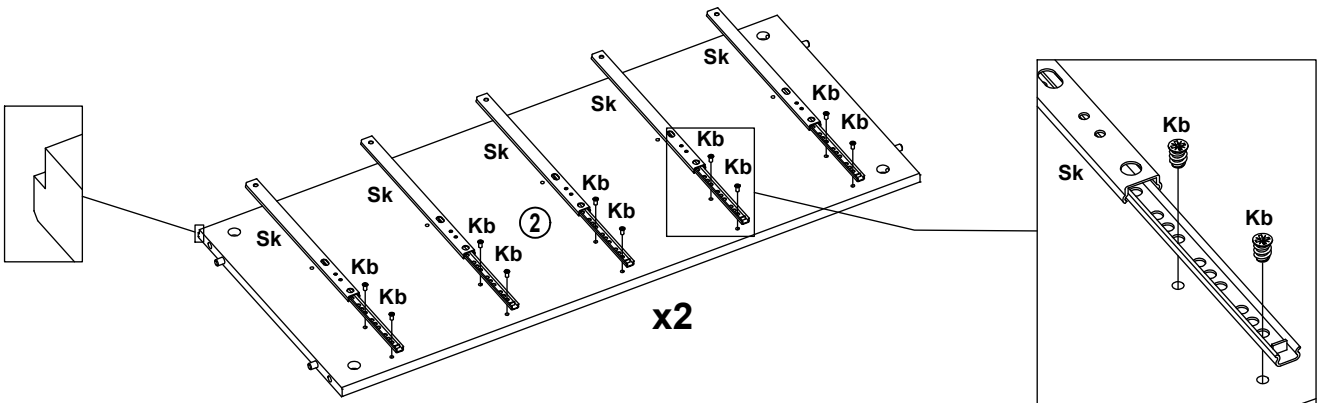
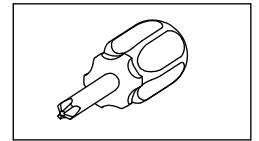
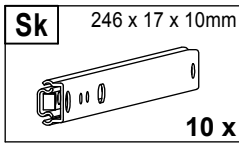
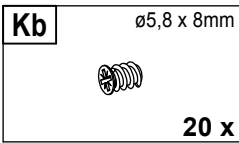
1



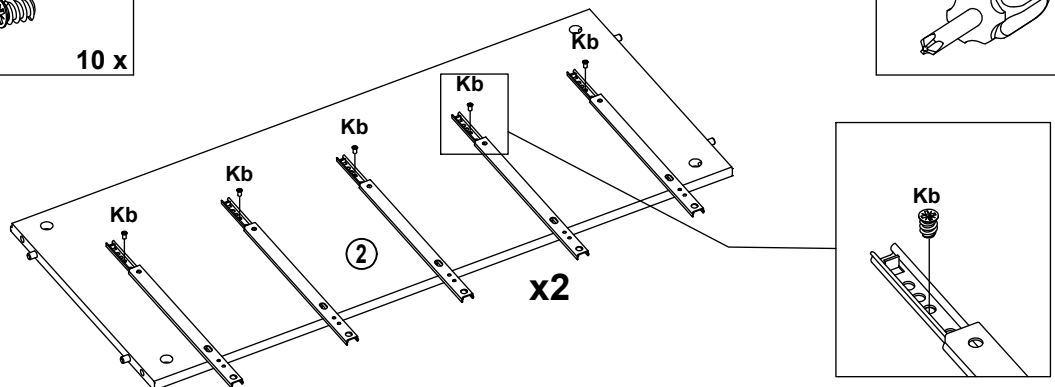
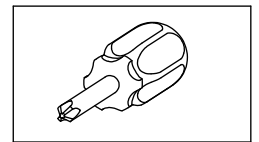
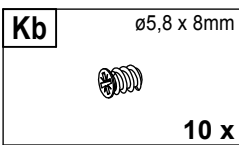
1.1



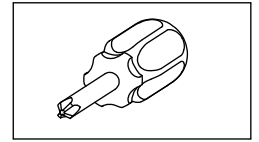
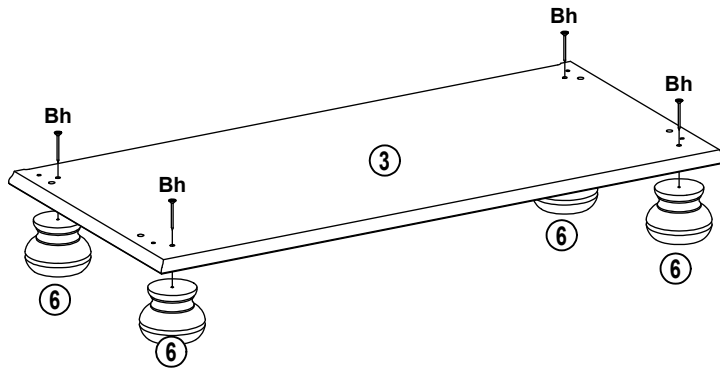
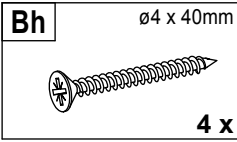
1.2



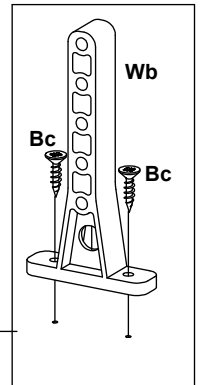
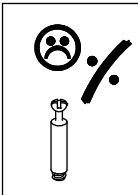
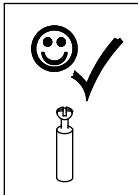
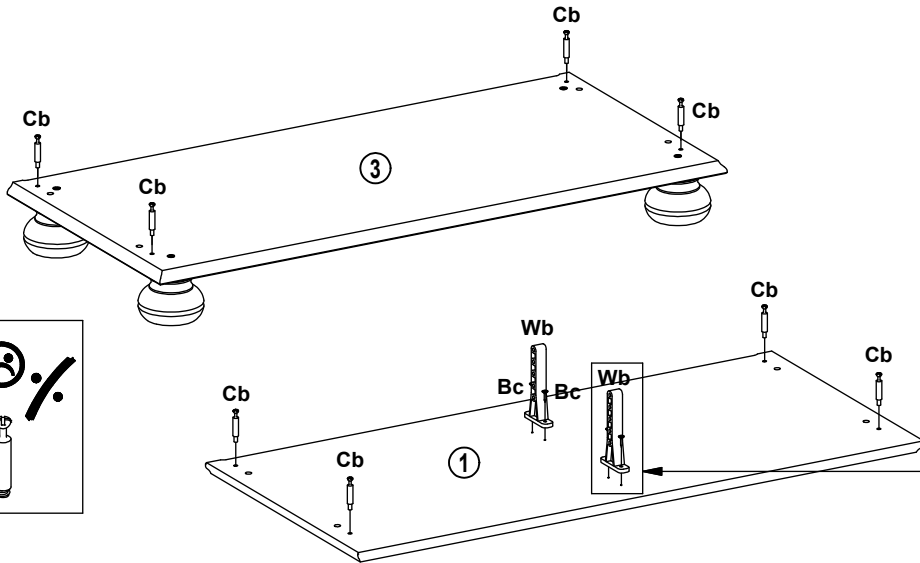
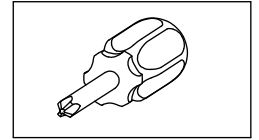
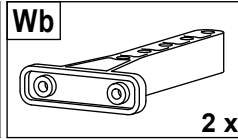
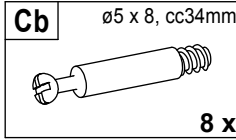
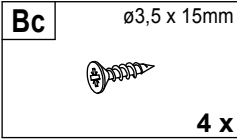
1.3



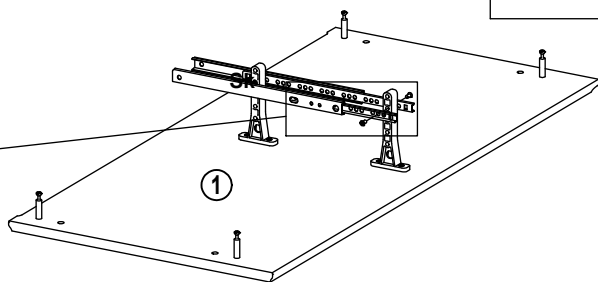
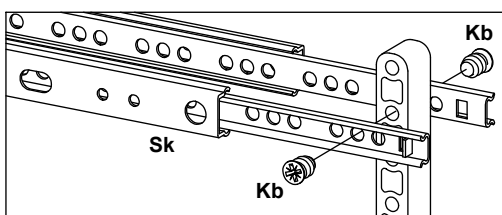
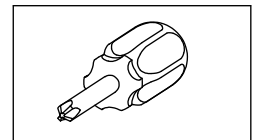
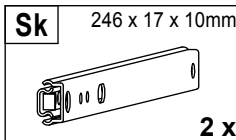
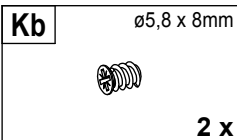
1.4



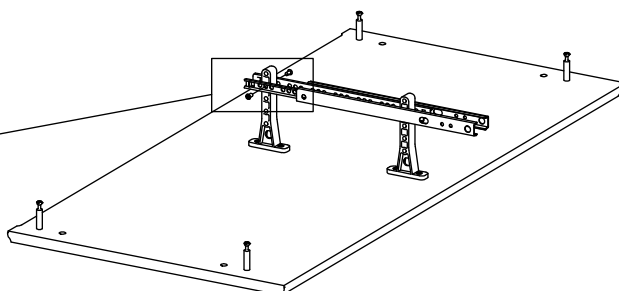
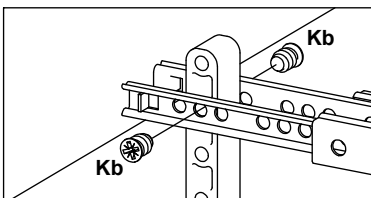
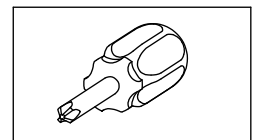
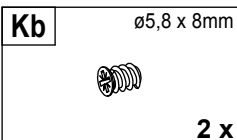
1.5



1.6

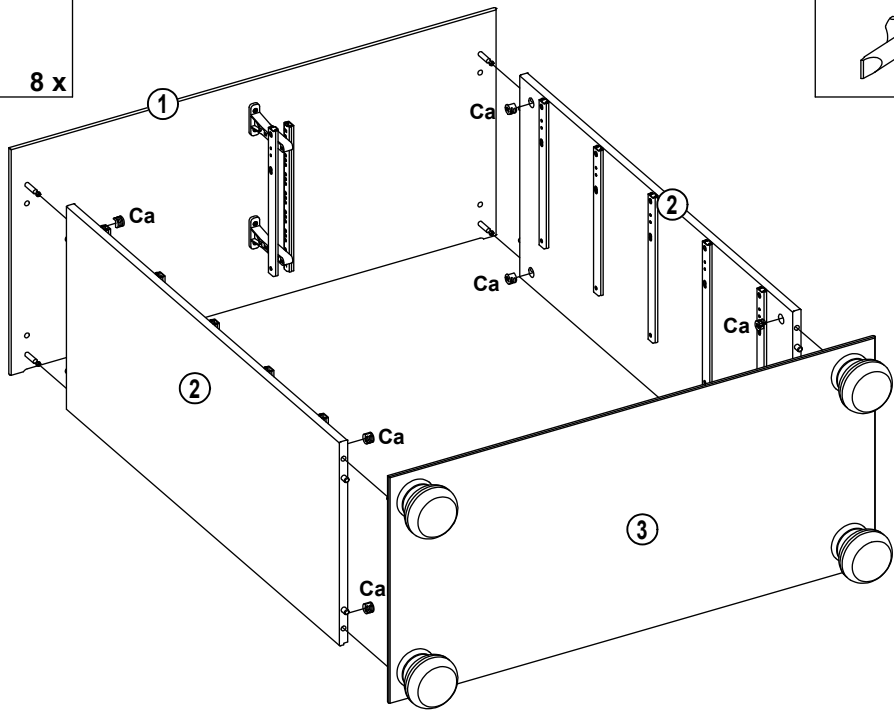
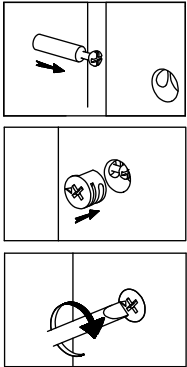
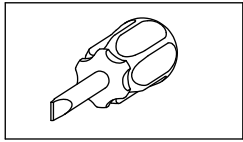


1.7



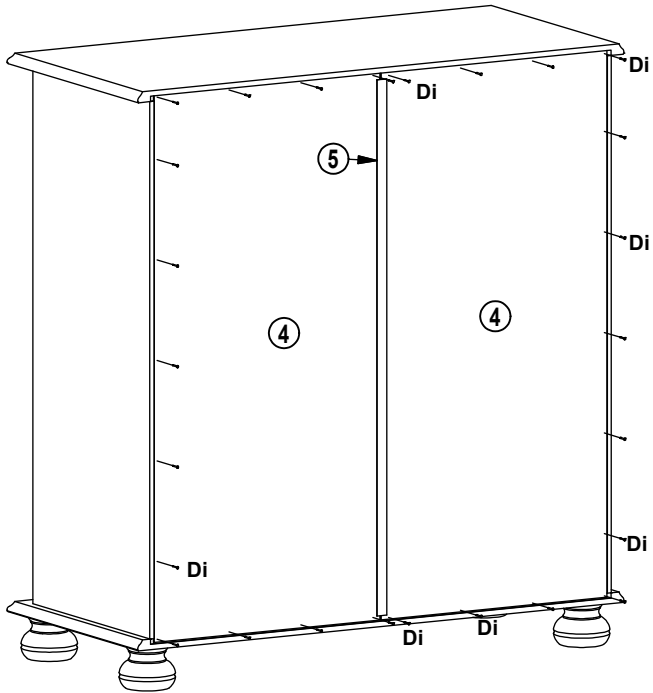
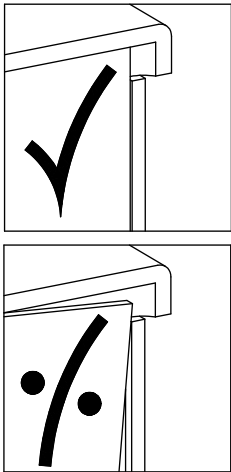
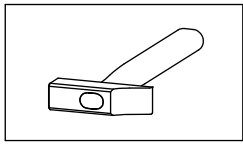
1.8

Ca $\varnothing 15 \times 10,5\text{mm}$
8 x

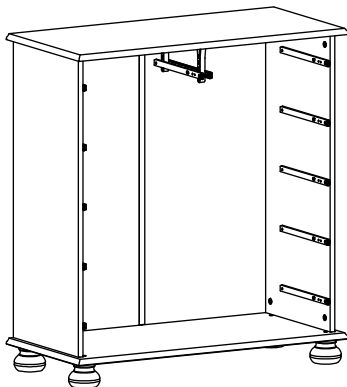


1.9

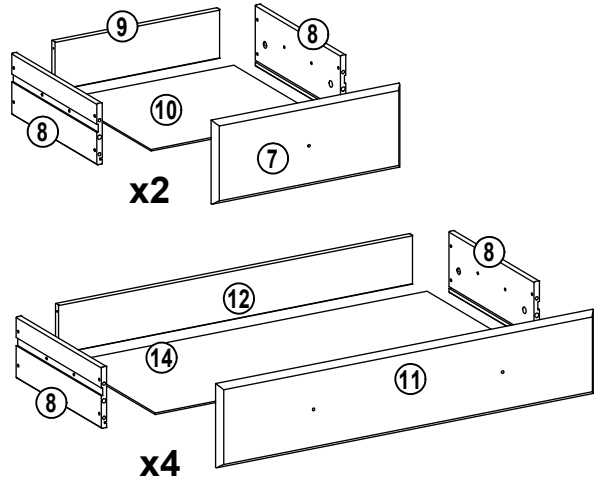
Di 1,2 x 15mm
26 x



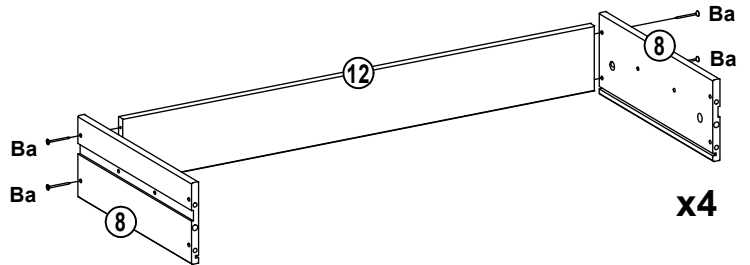
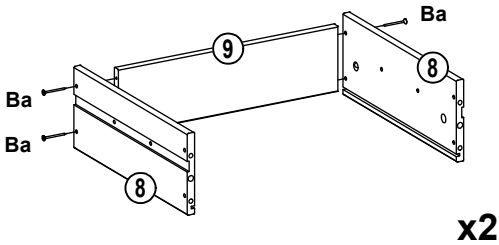
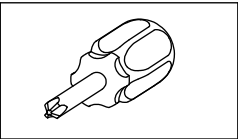
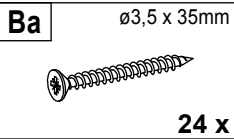
1.10



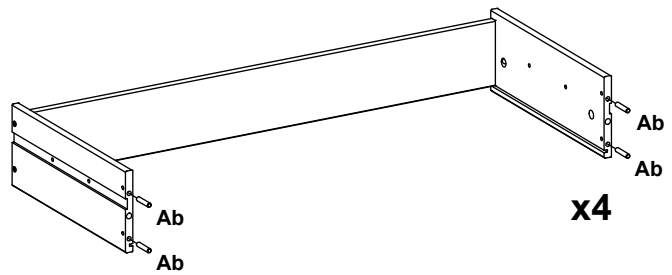
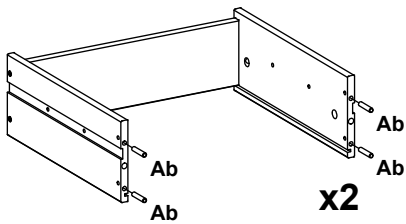
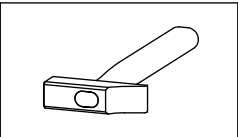
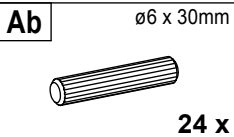
2



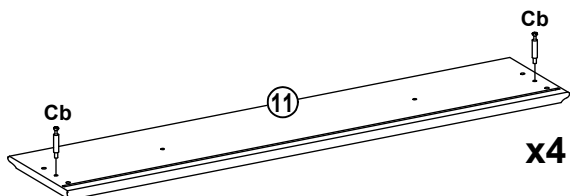
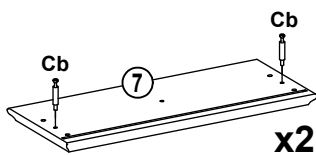
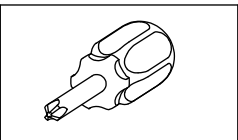
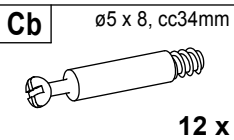
2.1




2.2

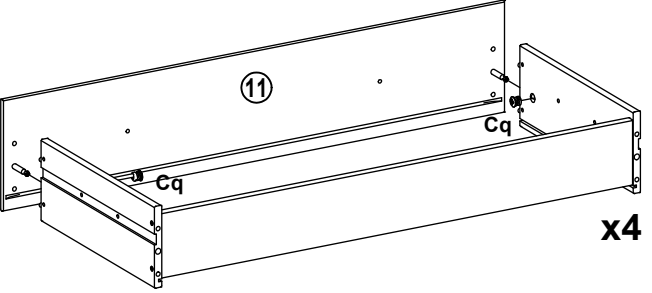
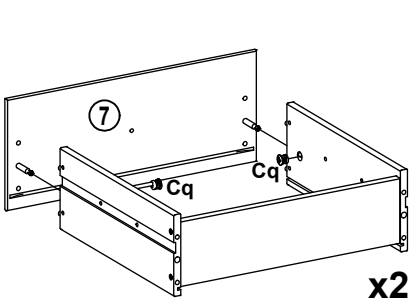
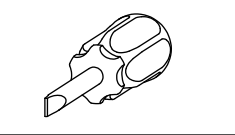


2.3

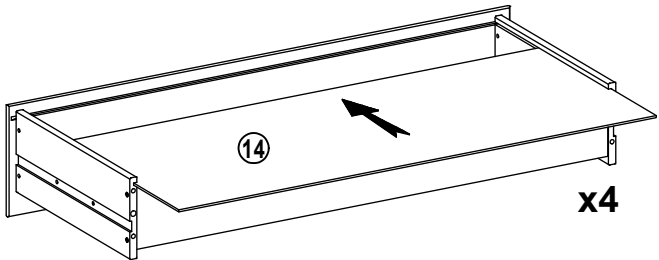
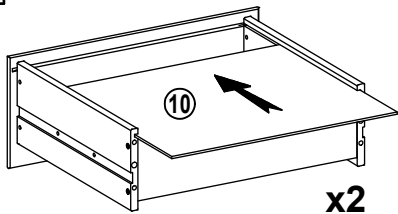


2.4


Cq $\varnothing 12 \times 9,5\text{mm}$

12 x

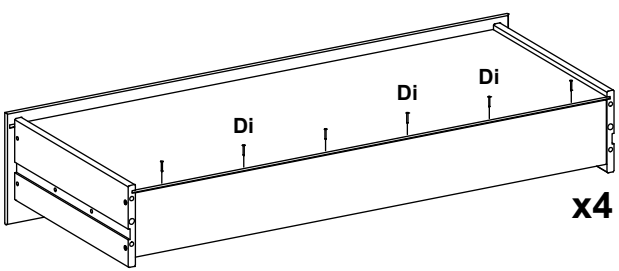
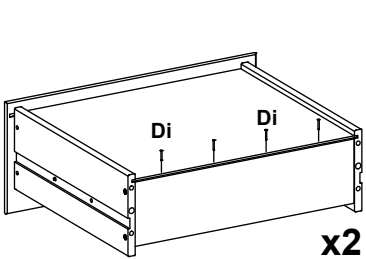
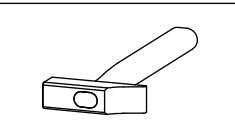


2.5




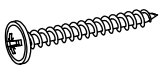
2.6

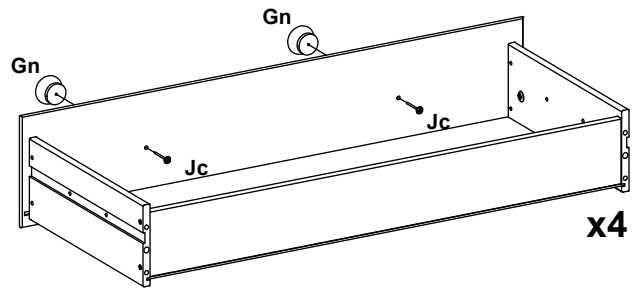
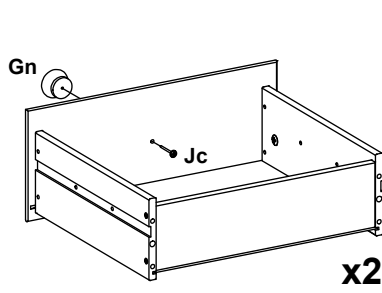
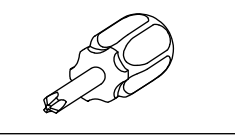
Di $1,2 \times 15\text{mm}$

32 x




2.7

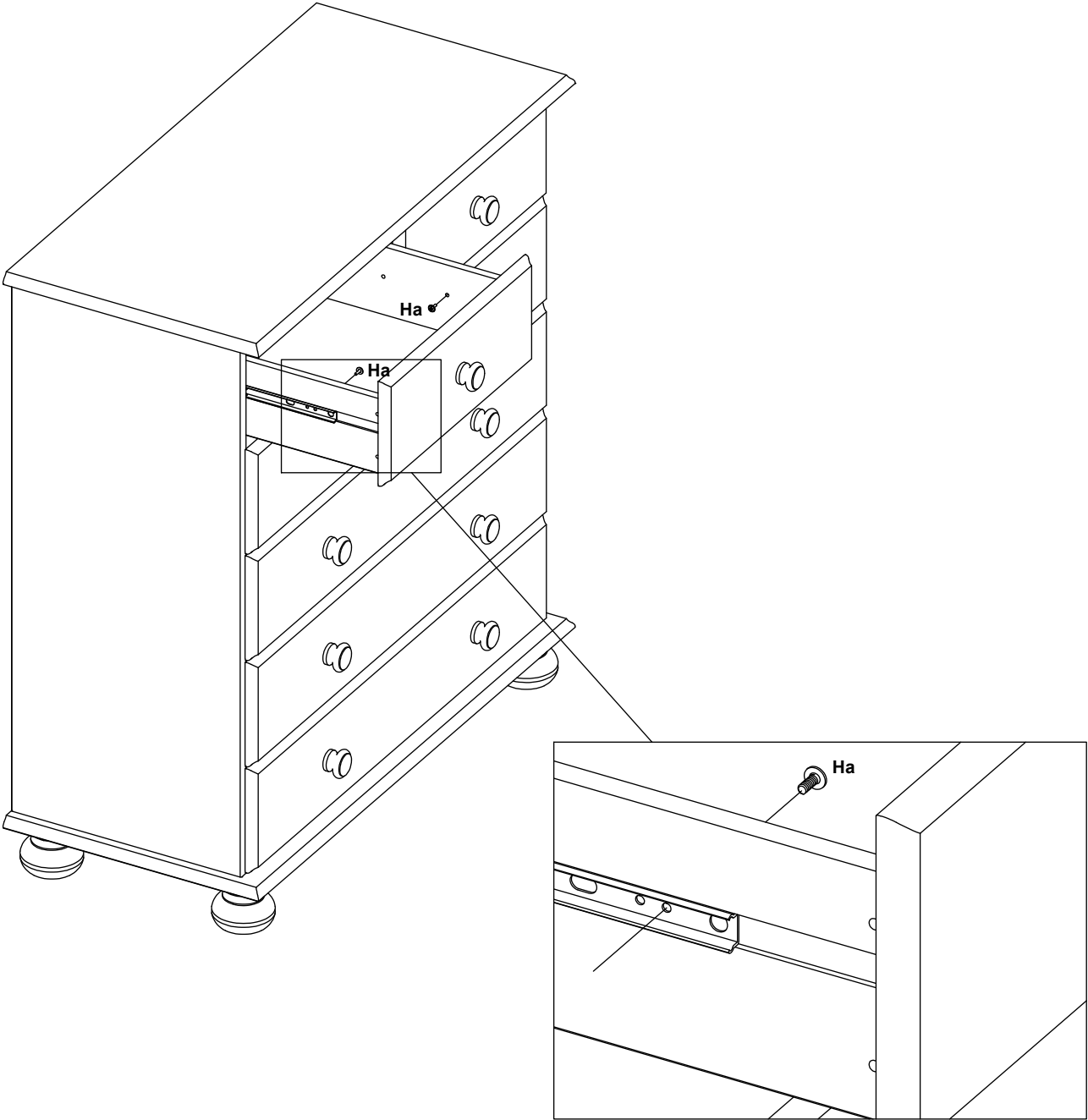
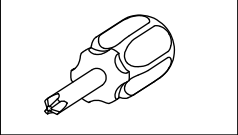
Gn $\varnothing 39 \times 30\text{mm}$

10 x

Jc $\varnothing 4 \times 35\text{mm}$

10 x



2.8

Ha M4 x 10mm

12 x



2.9

