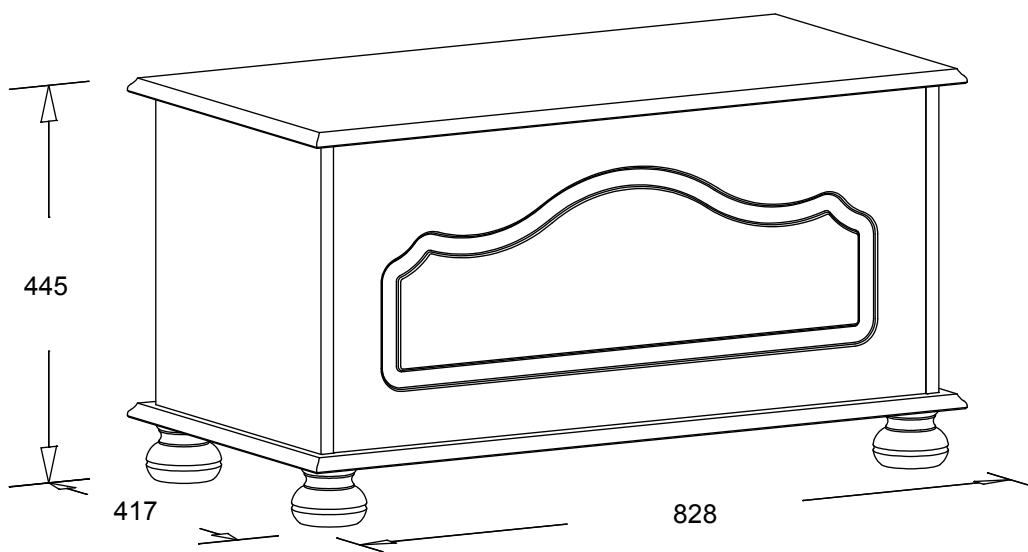
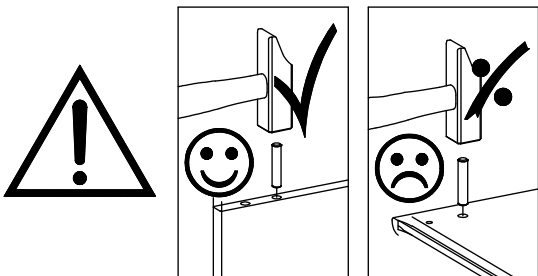


# Blanket Box

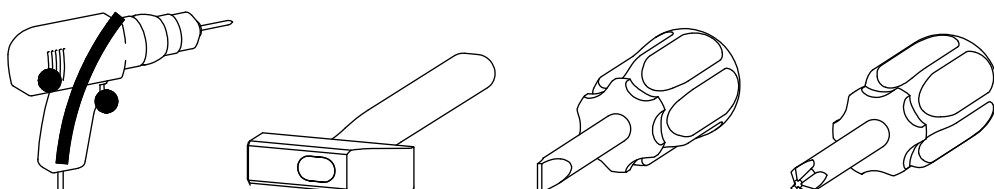
1010801

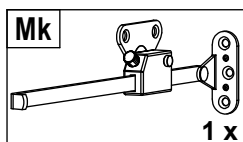
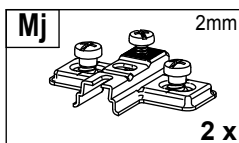
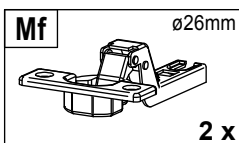
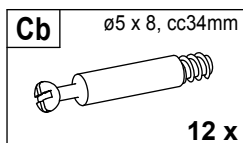
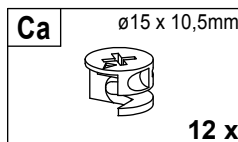
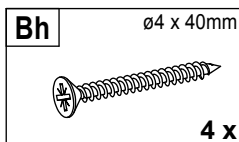
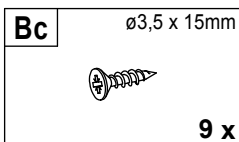
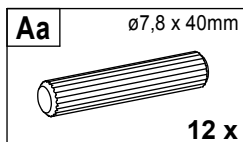
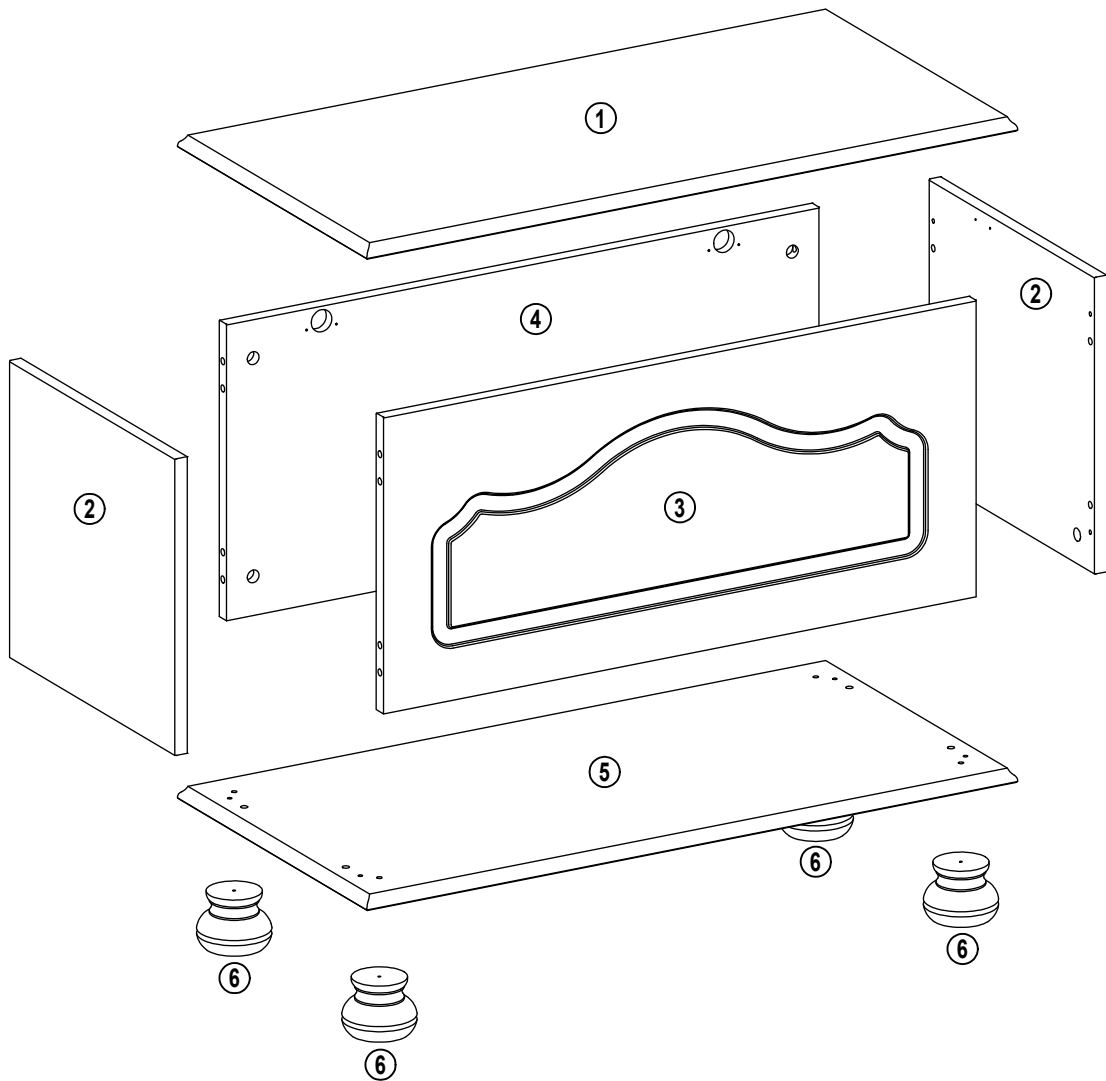


## Important!

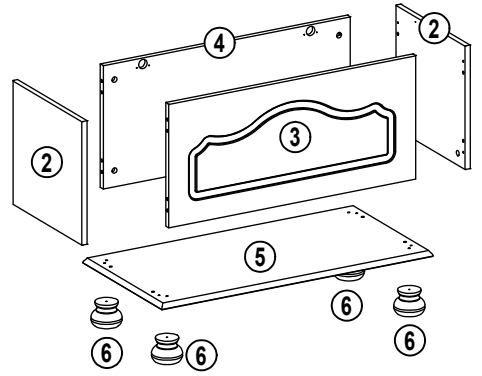
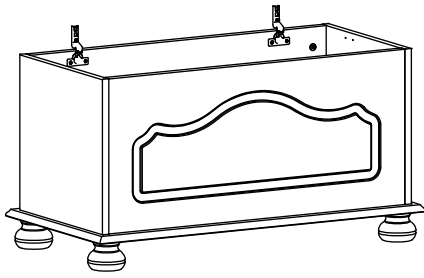


Please, read the assembly instruction carefully, before assembling.

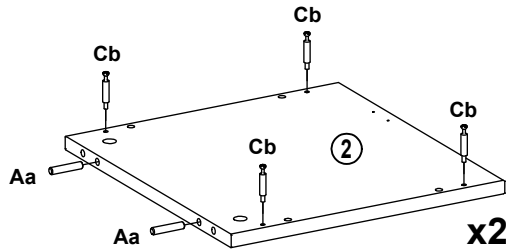
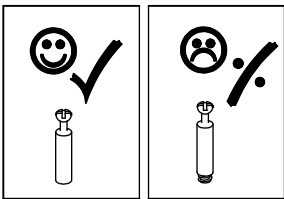
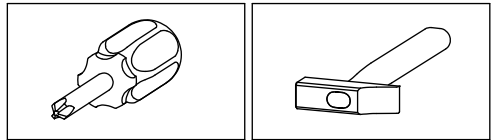
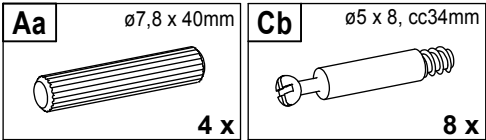




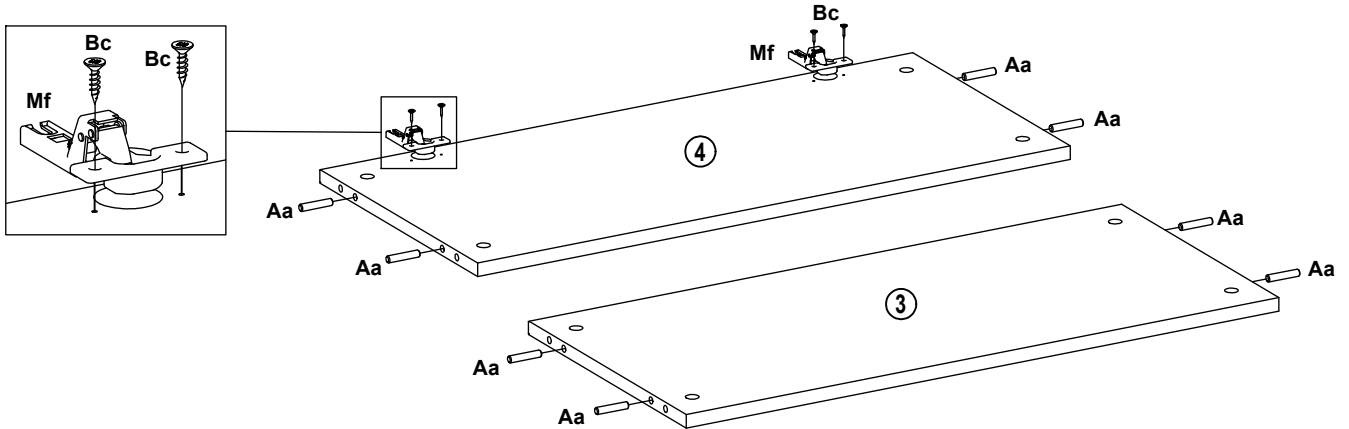
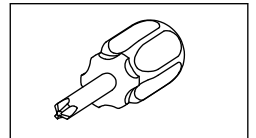
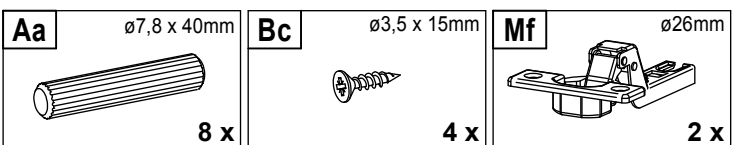
# 1



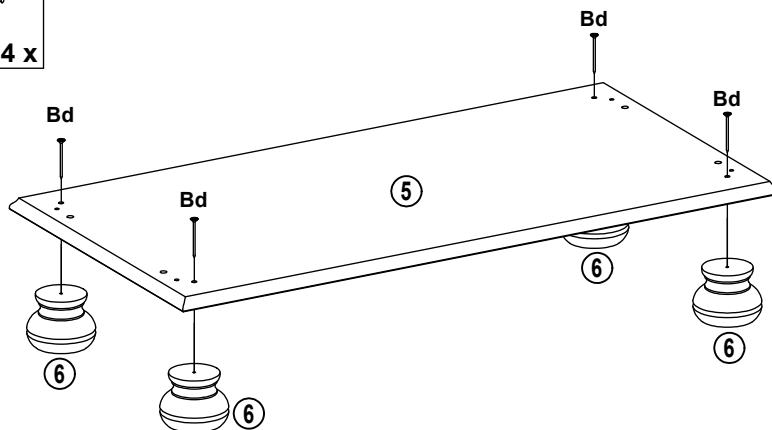
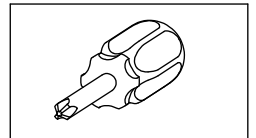
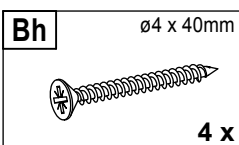
## 1.1



## 1.2

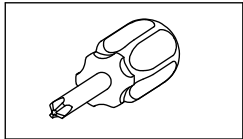
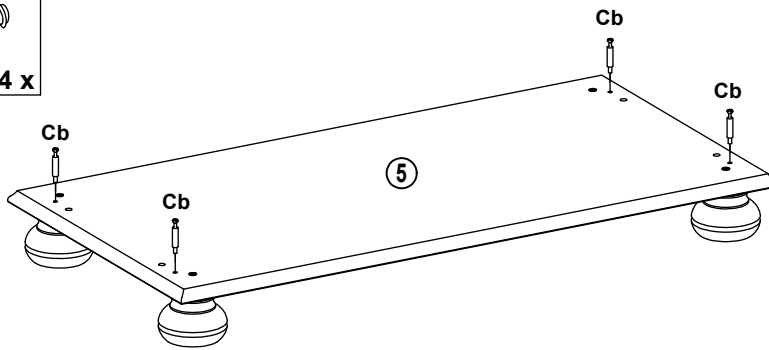


## 1.3



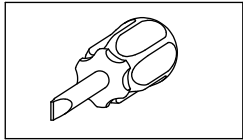
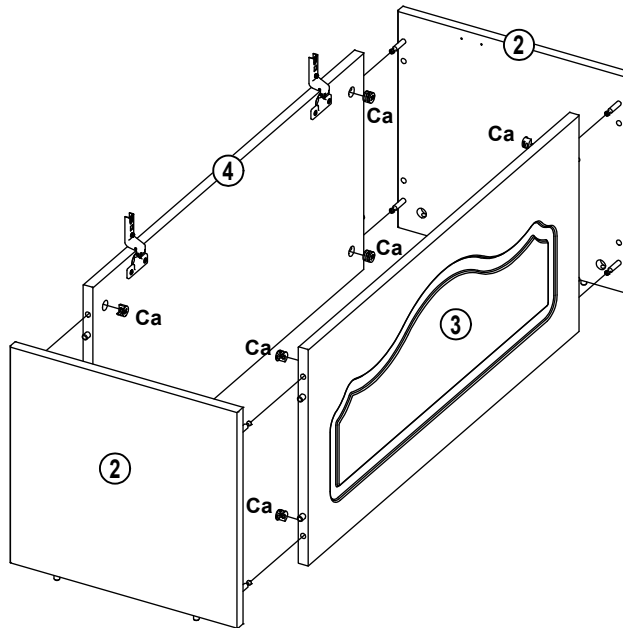
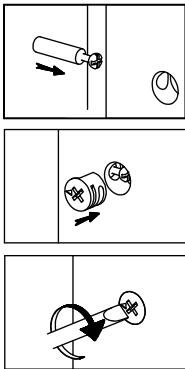
**1.4**

**Cb**  $\varnothing 5 \times 8, cc34mm$   
4 x



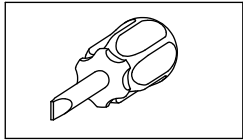
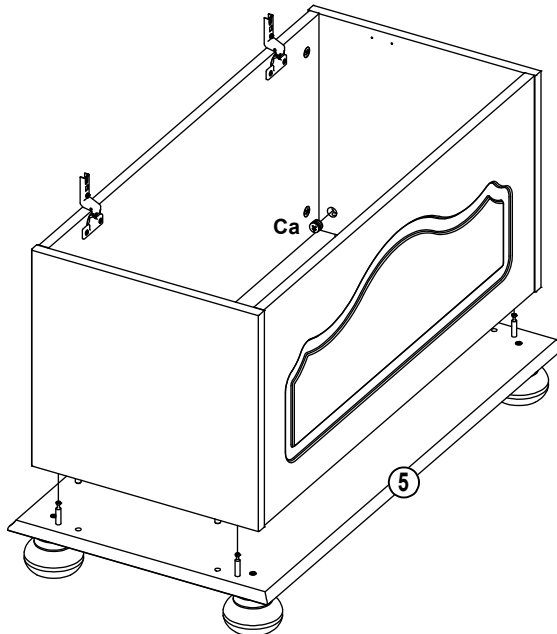
**1.5**

**Ca**  $\varnothing 15 \times 10,5mm$   
8 x

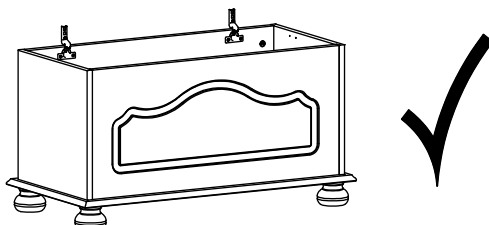


**1.6**

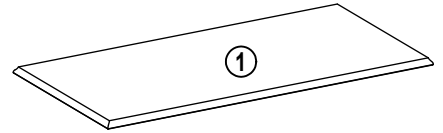
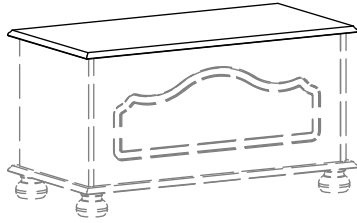
**Ca**  $\varnothing 15 \times 10,5mm$   
4 x



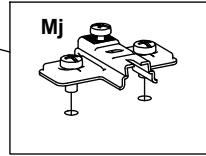
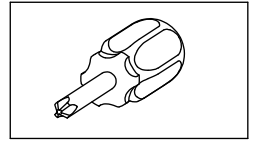
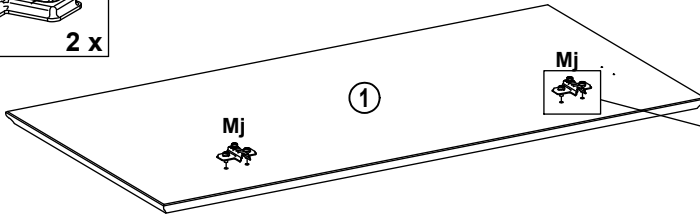
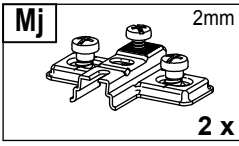
**1.7**



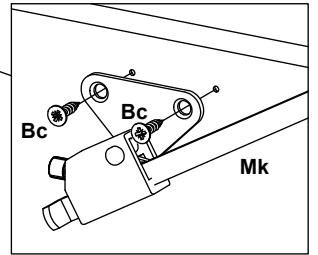
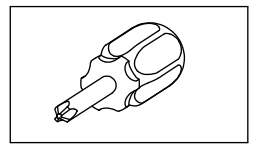
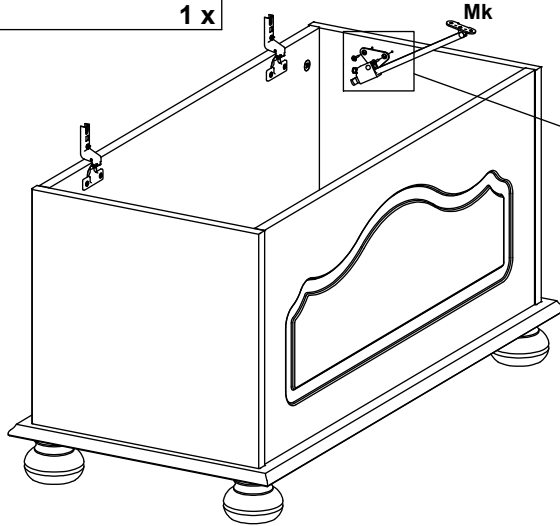
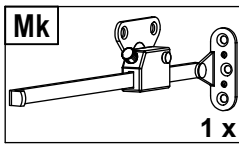
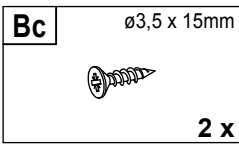
2



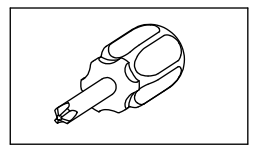
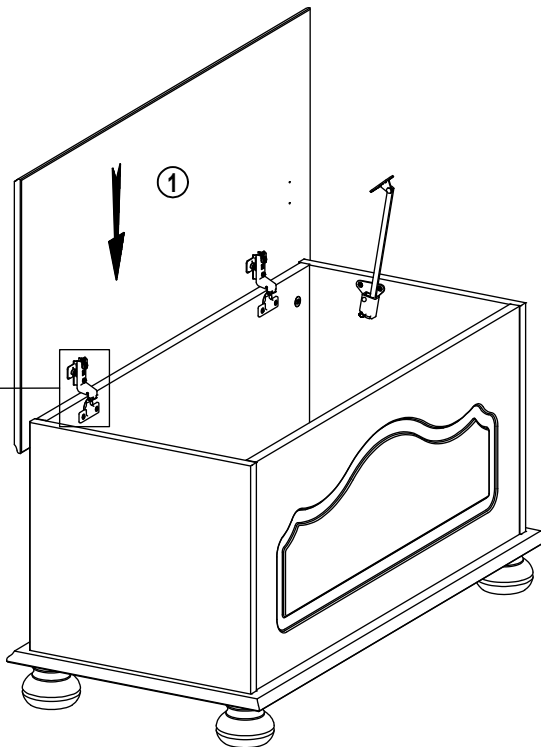
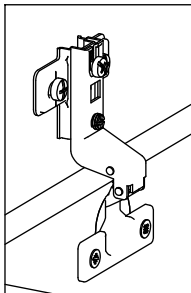
2.1




2.2

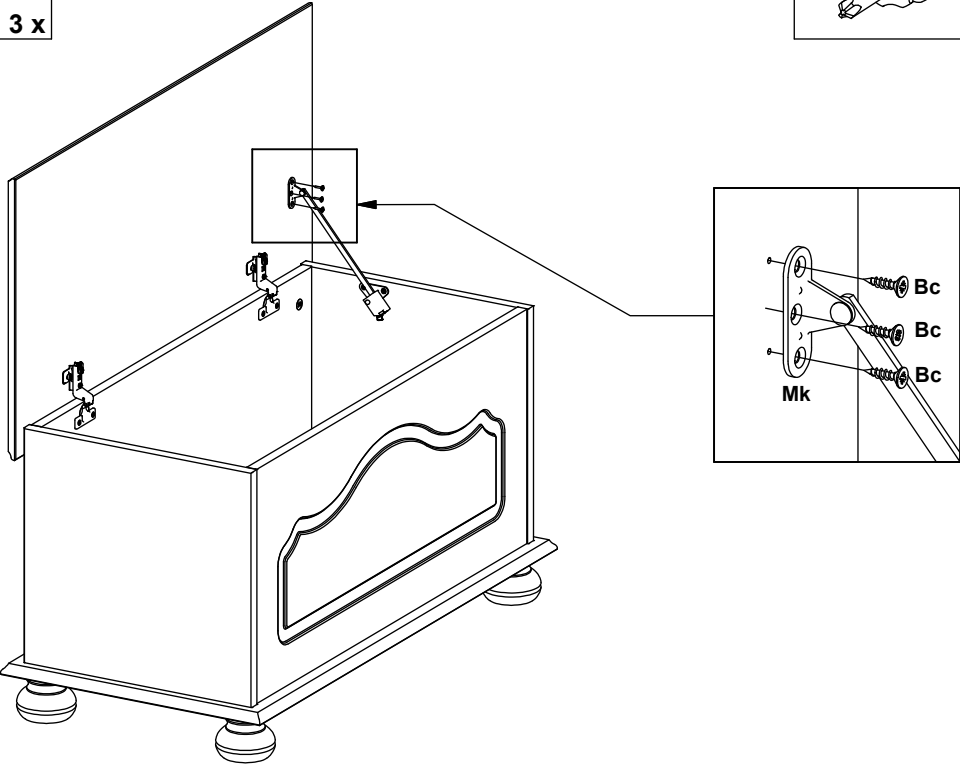
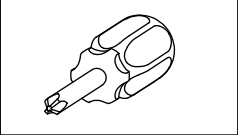


2.3

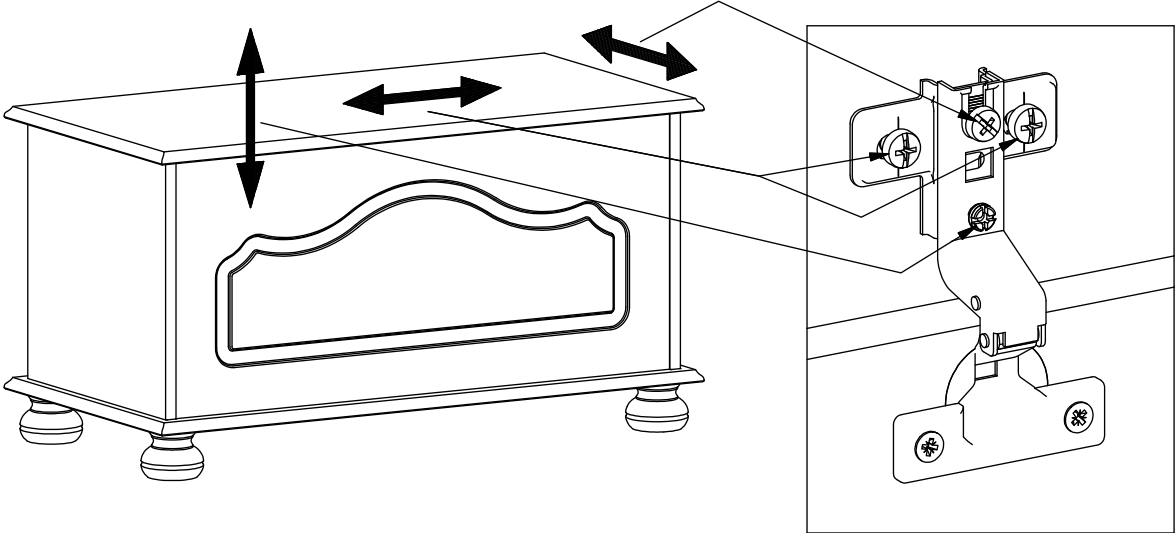
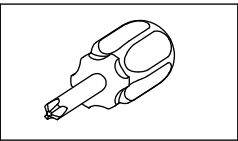


**2.4**

**Bc**     $\varnothing 3,5 \times 15\text{mm}$   
  
**3 x**



**2.5**



**2.6**

