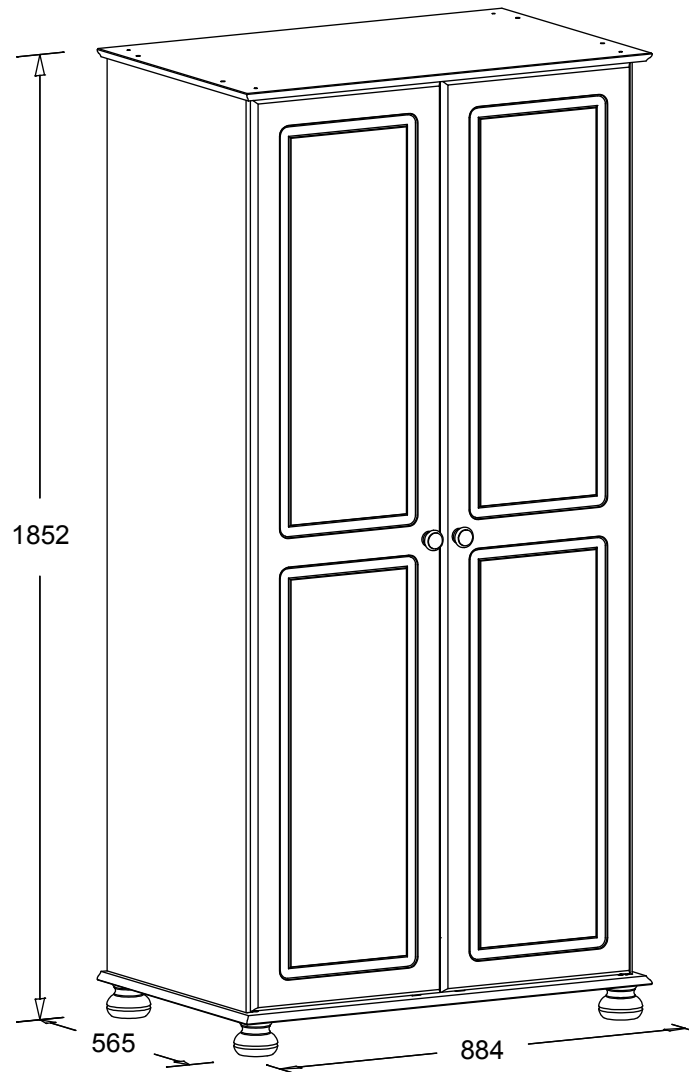
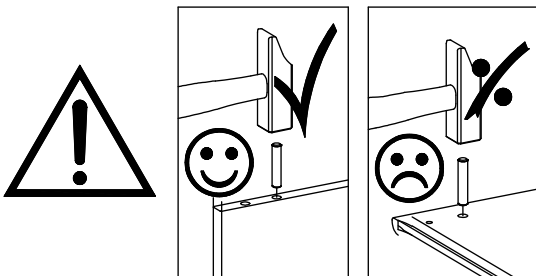


# 2 Door Wardrobe

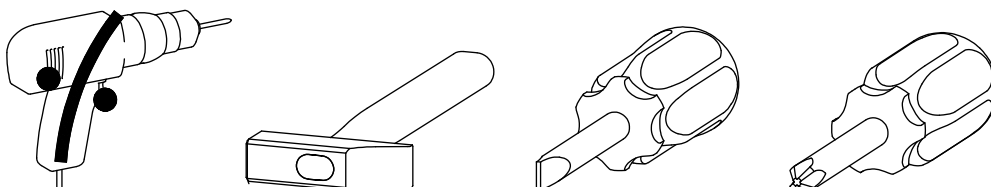
1012101

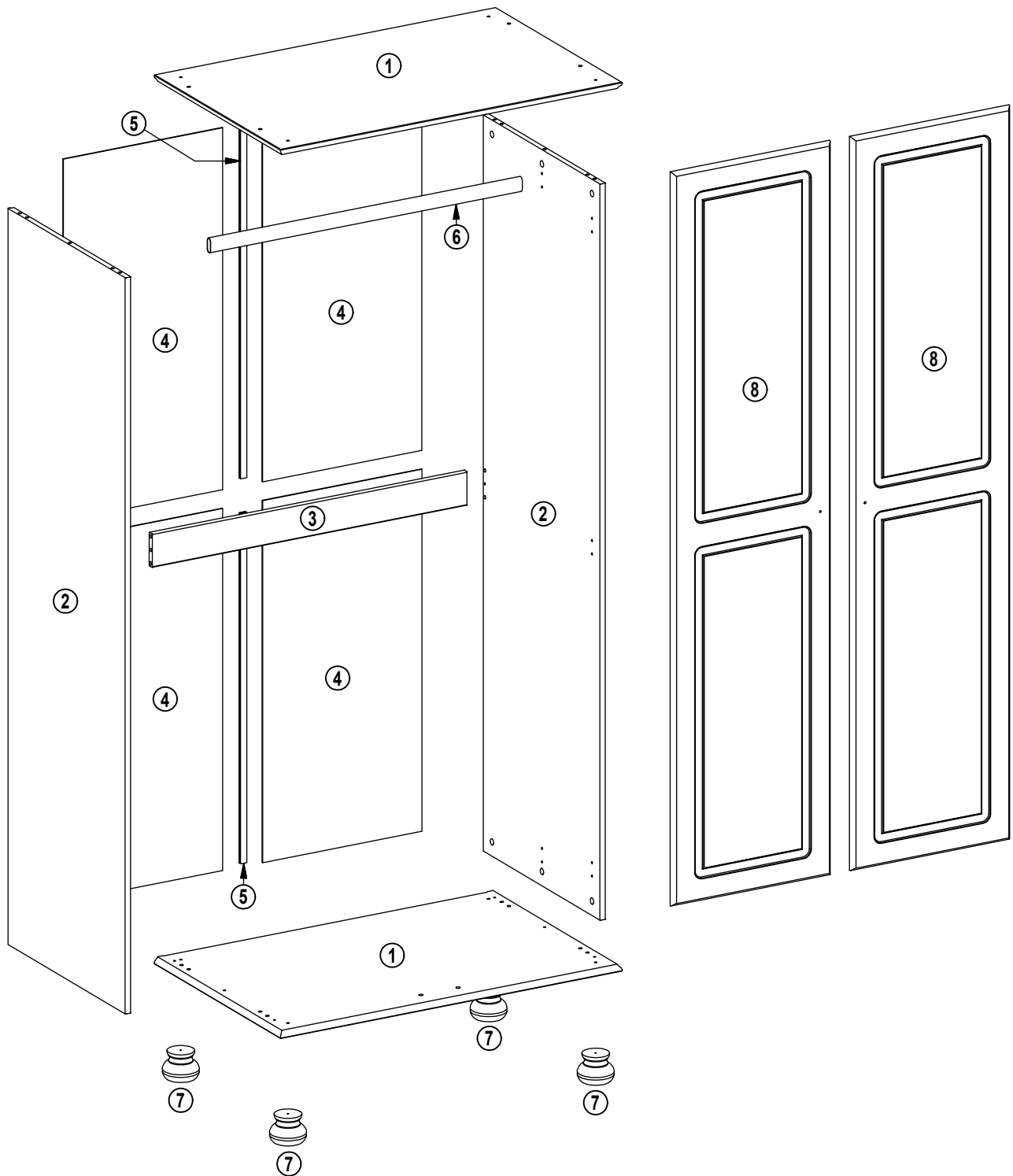









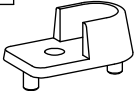


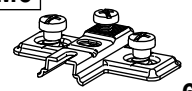


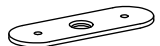
## Important!



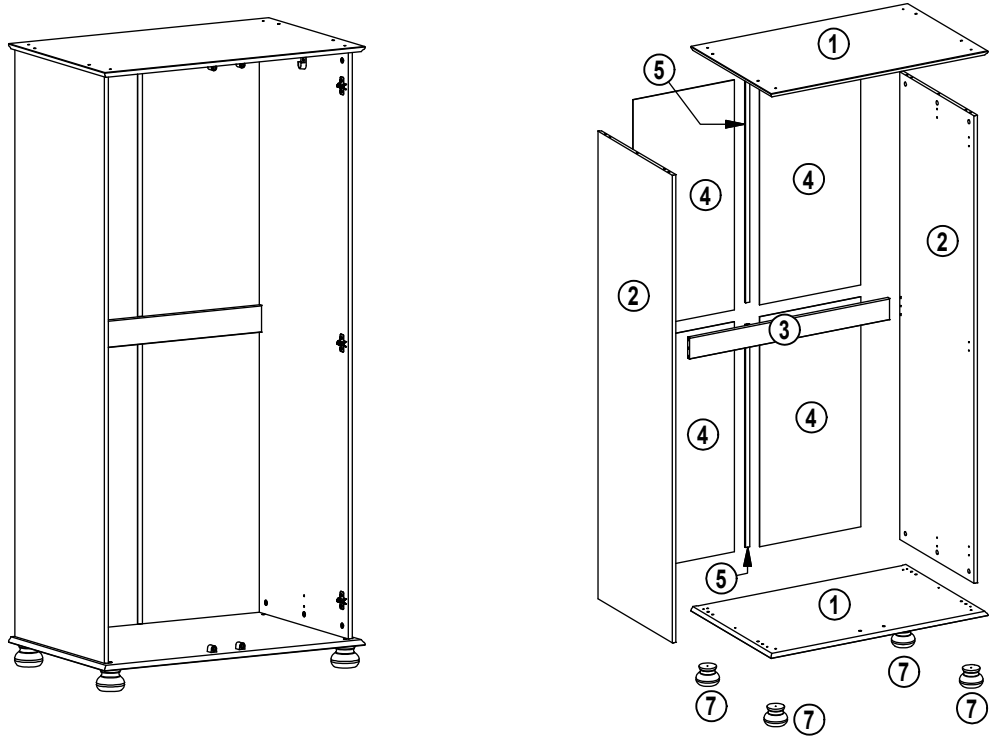
Please, read the assembly instruction carefully, before assembling.



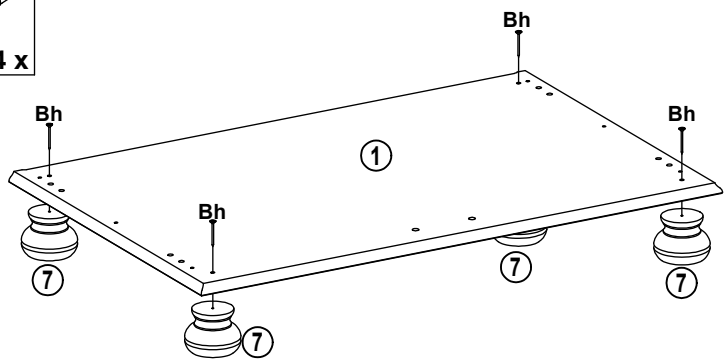
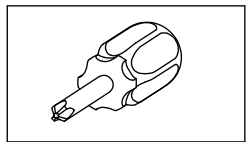
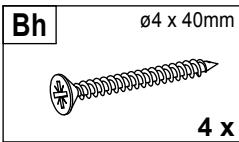


0 10 20 30 40 50 60	<b>Aa</b> $\varnothing 7,8 \times 40\text{mm}$  <b>12 x</b>	<b>Bc</b> $\varnothing 3,5 \times 15\text{mm}$  <b>14 x</b>	<b>Bh</b> $\varnothing 4 \times 40\text{mm}$  <b>4 x</b>	<b>Bo</b> $\varnothing 3 \times 12\text{mm}$  <b>4 x</b>	
	<b>Ca</b> $\varnothing 15 \times 10,5\text{mm}$  <b>14 x</b>	<b>Cb</b> $\varnothing 5 \times 8, \text{cc}34\text{mm}$  <b>14 x</b>	<b>Di</b> $1,2 \times 15\text{mm}$  <b>50 x</b>	<b>Fl</b>  <b>2 x</b>	<b>Gn</b> $\varnothing 39 \times 30\text{mm}$  <b>2 x</b>
	<b>Jc</b> $\varnothing 4 \times 35\text{mm}$  <b>2 x</b>	<b>Mc</b> 0mm  <b>6 x</b>	<b>Me</b> $\varnothing 26\text{mm}$  <b>6 x</b>	<b>Pc</b>  <b>4 x</b>	<b>Pd</b> $35 \times 12\text{mm}$  <b>4 x</b>

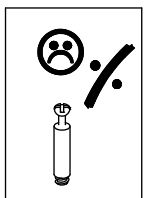
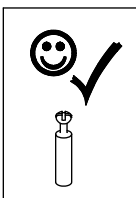
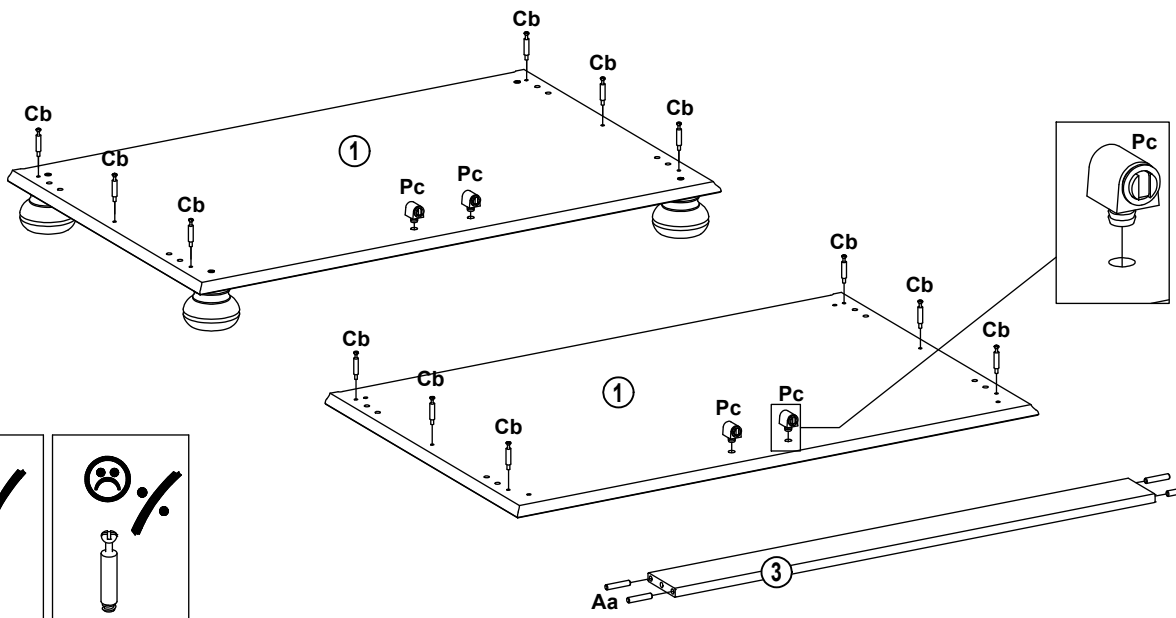
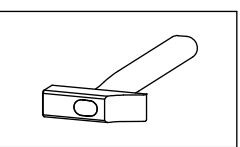
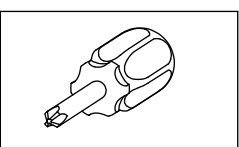
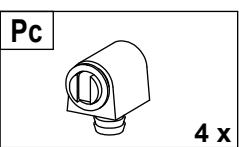
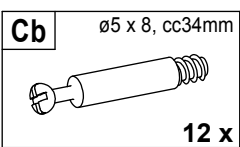
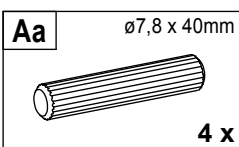
# 1



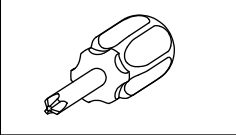
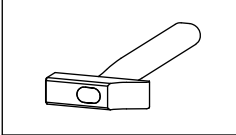
# 1.1

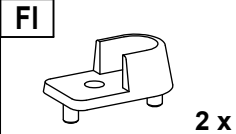
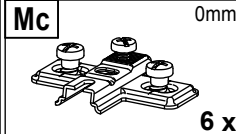


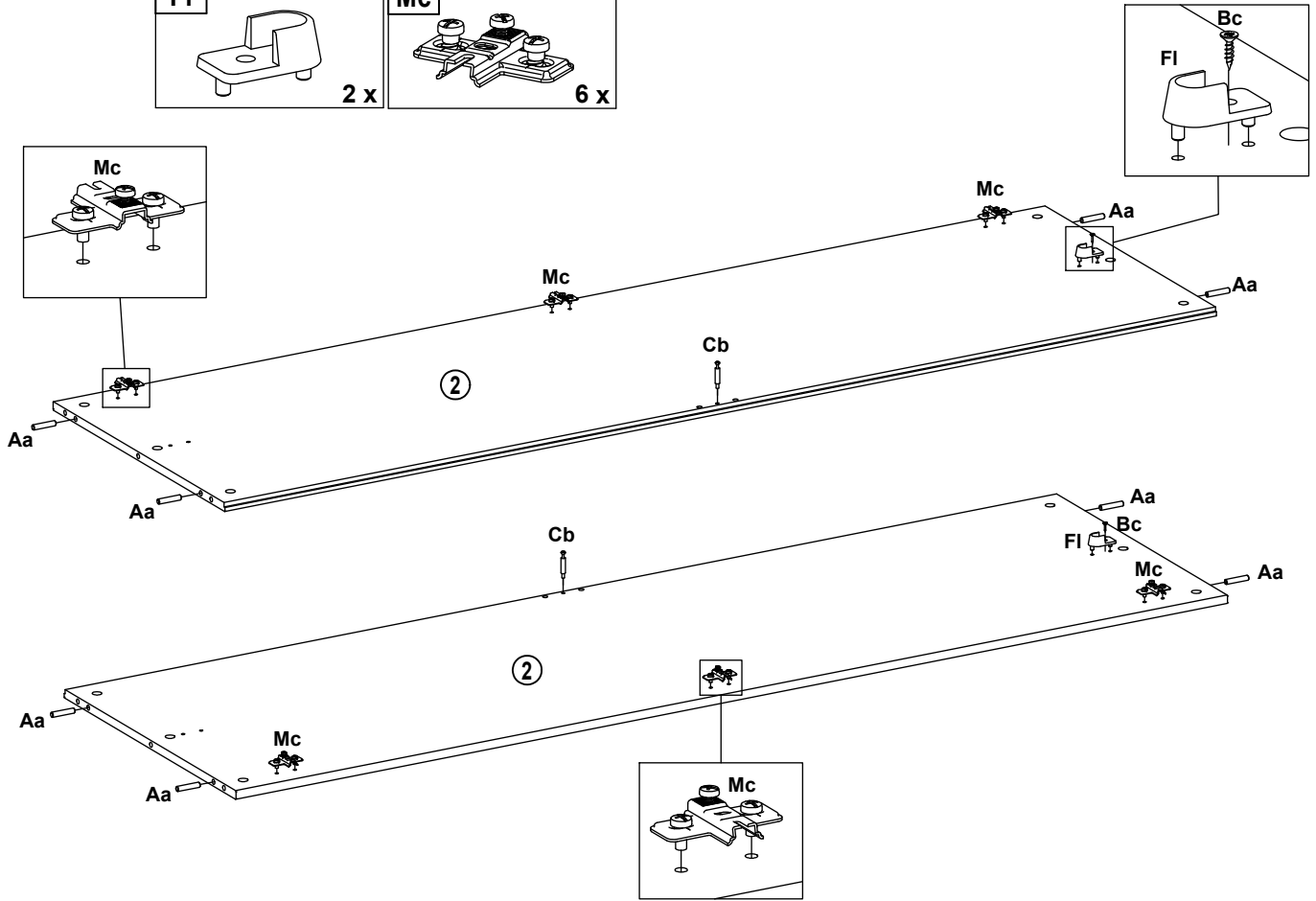
# 1.2



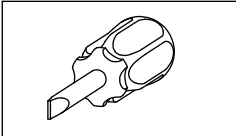
**1.3**

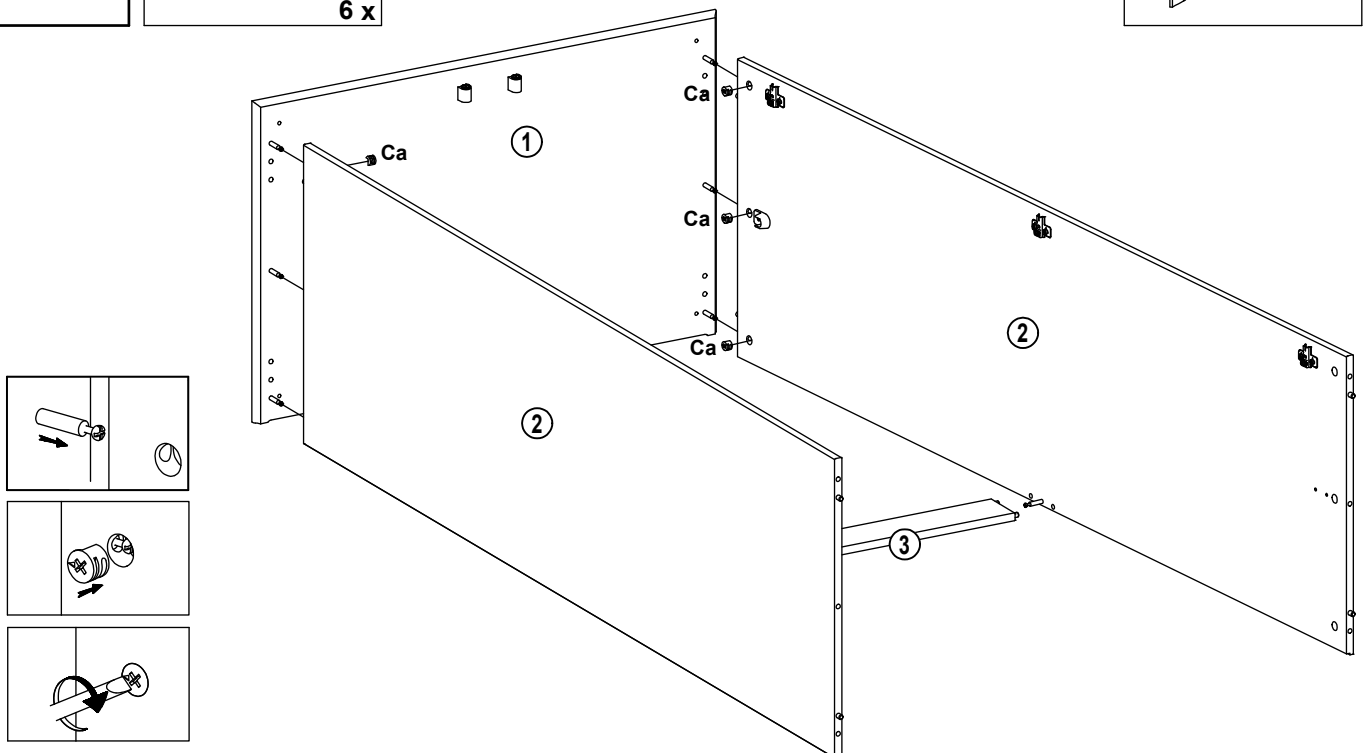
<b>Aa</b> ø7,8 x 40mm 8 x	<b>Bc</b> ø3,5 x 15mm 2 x	<b>Cb</b> ø5 x 8, cc34mm 2 x		
---------------------------------	---------------------------------	------------------------------------	---	---

<b>Fi</b>  2 x	<b>Mc</b> 0mm  6 x
---	--




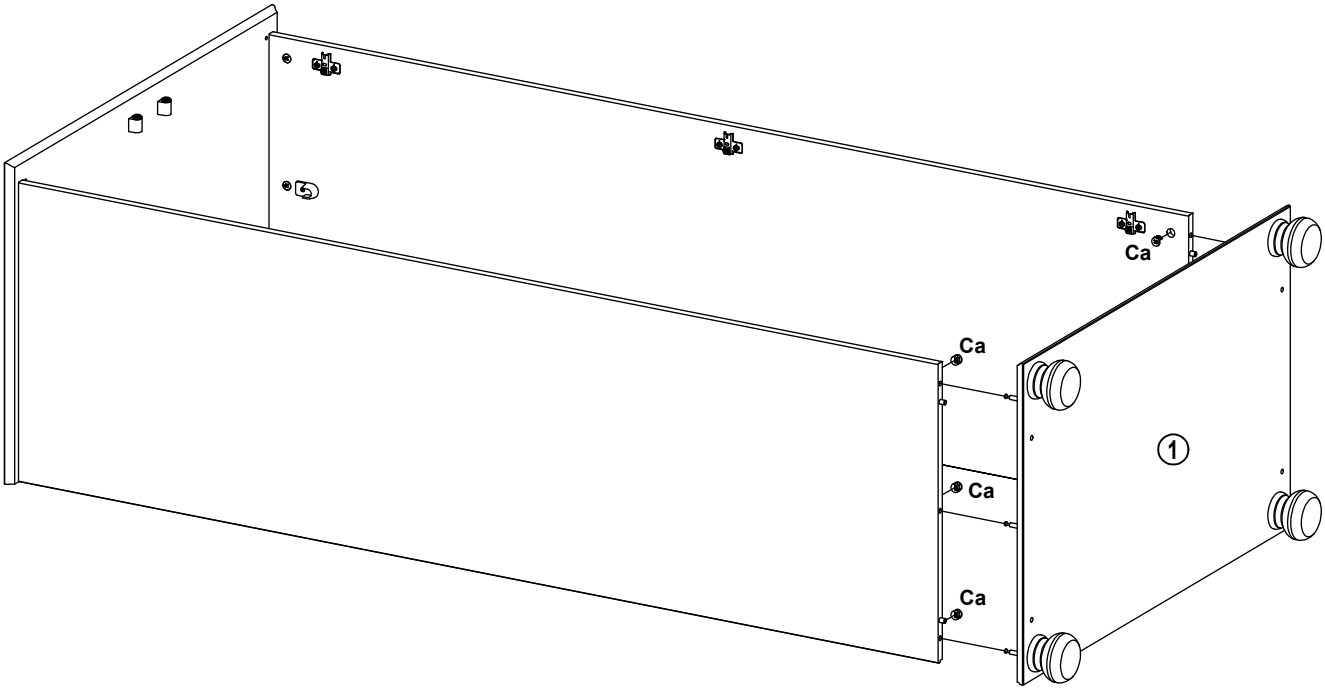
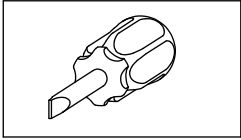
**1.4**

<b>Ca</b> ø15 x 10,5mm 6 x	
----------------------------------	---




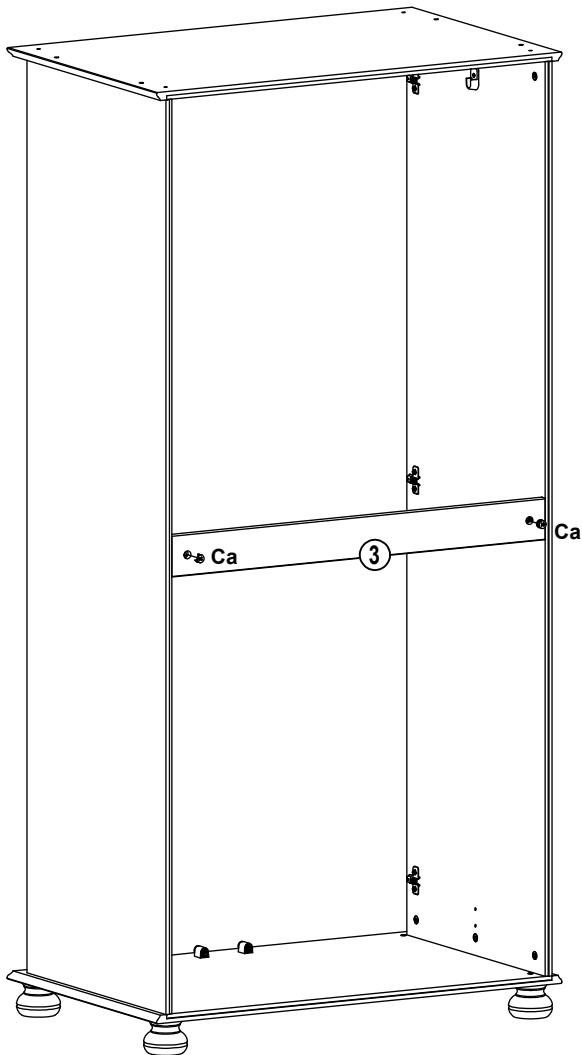
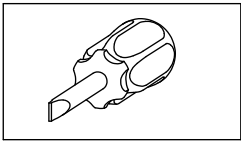
**1.5**

**Ca**  $\varnothing 15 \times 10,5\text{mm}$   
  
**6 x**



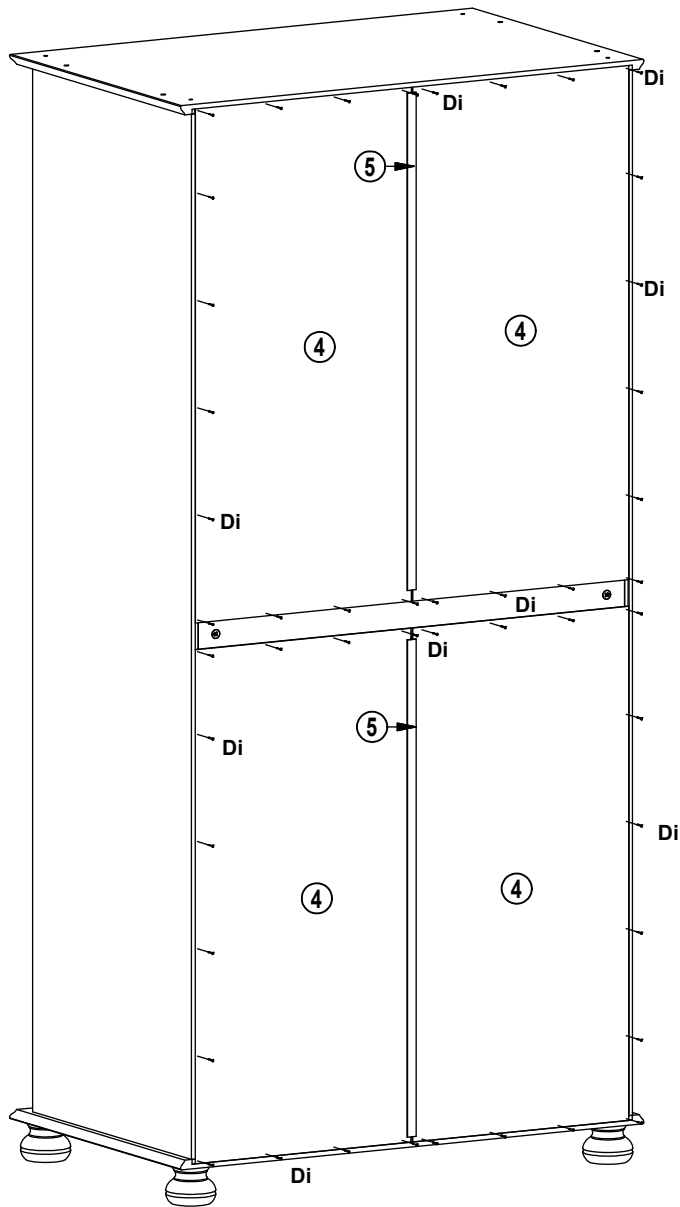
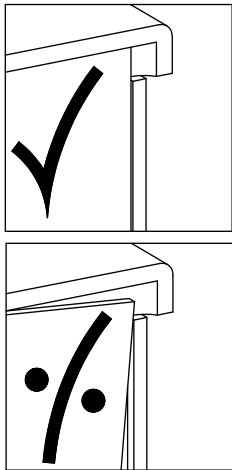
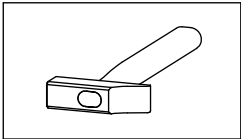
**1.6**

**Ca**  $\varnothing 15 \times 10,5\text{mm}$   
  
**2 x**

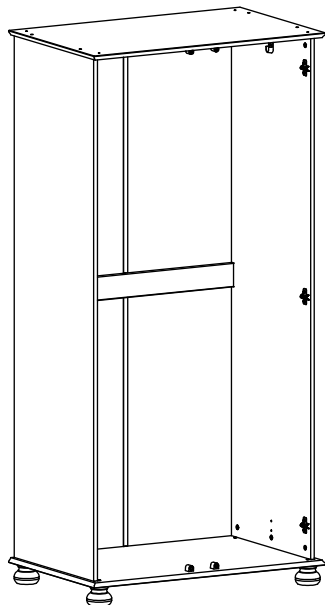


**1.9**

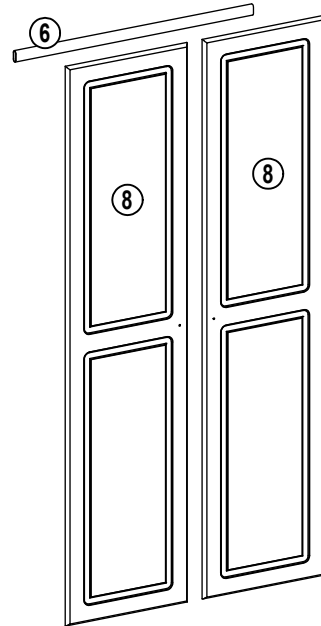
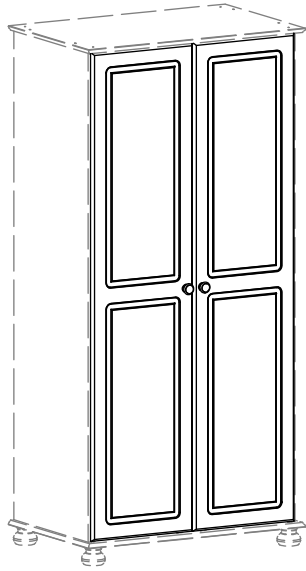
Di 1,2 x 15mm  
48 x







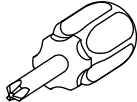
**1.10**

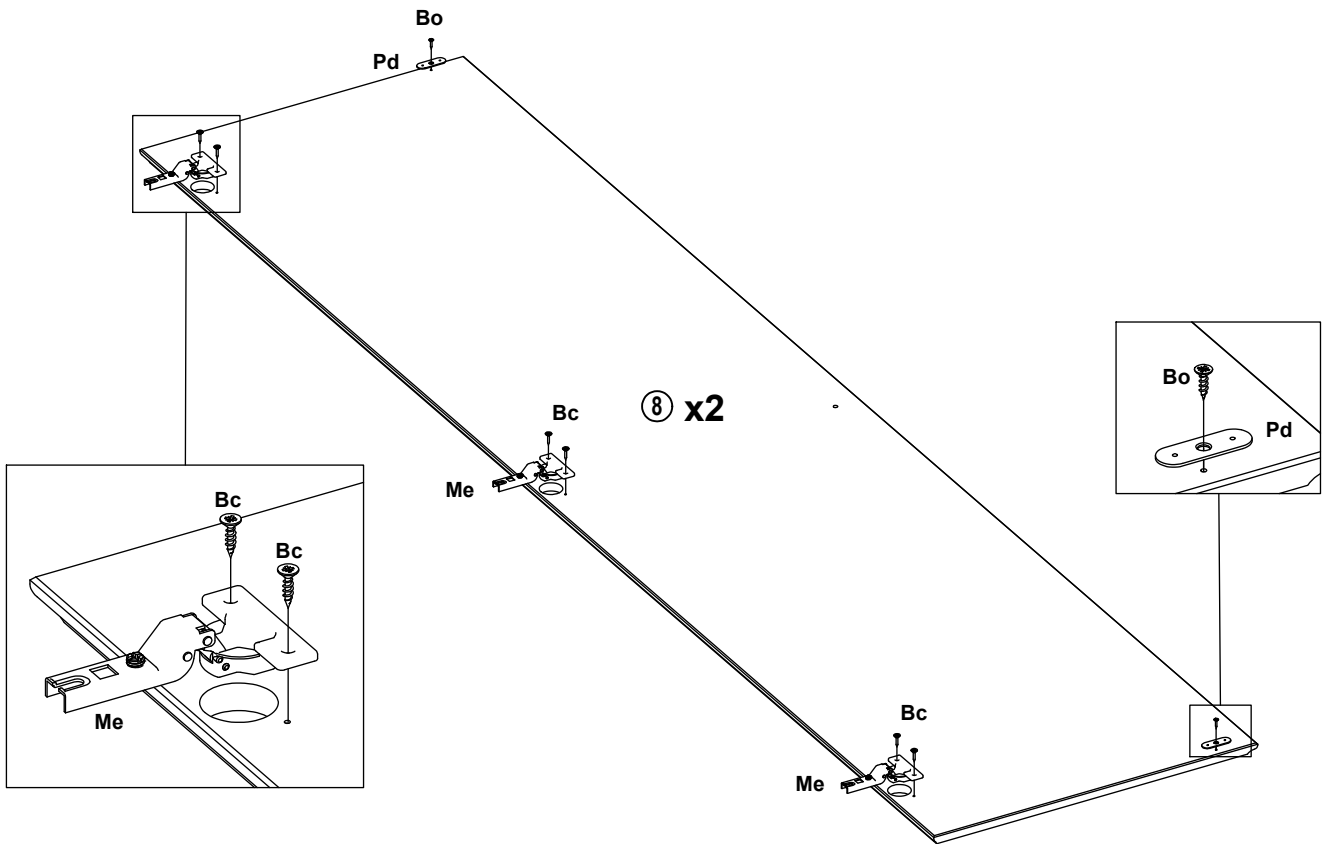


2

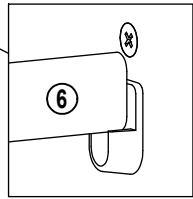
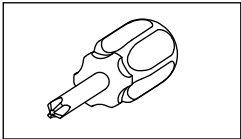
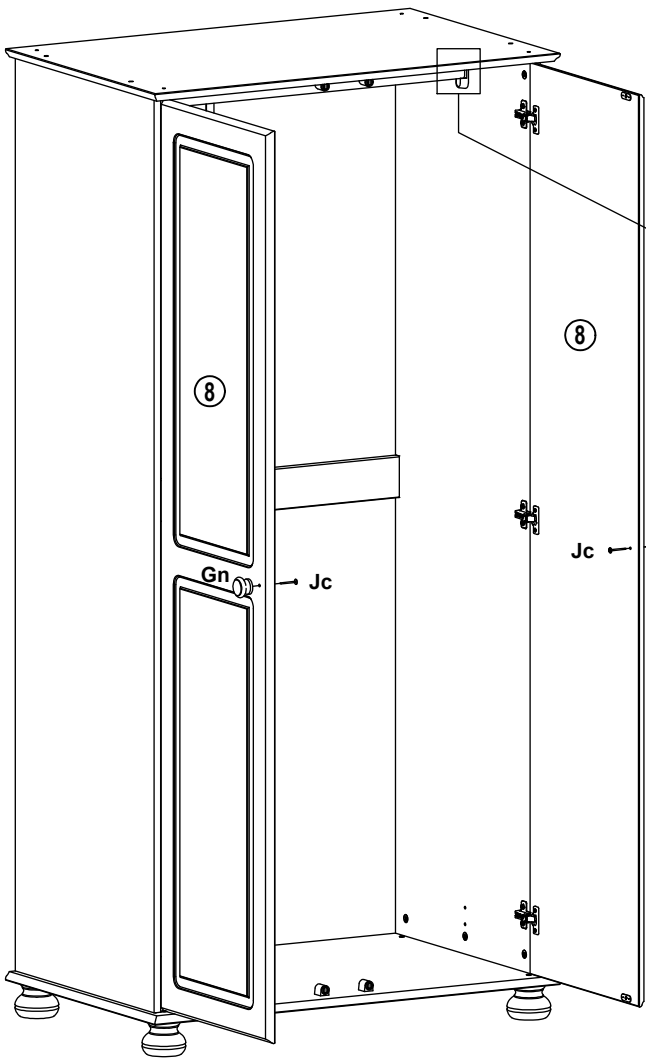
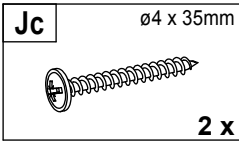
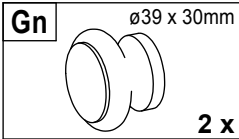


2.1

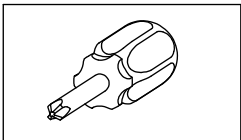
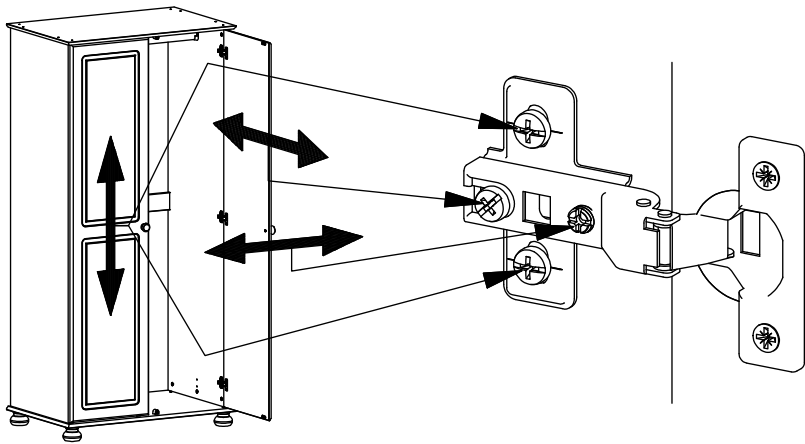
<b>Bc</b> ø3,5 x 15mm  12 x	<b>Bo</b> ø3 x 12mm  4 x	<b>Me</b> ø26mm  6 x	<b>Pd</b> 35 x 12mm  4 x	
---	--	--	--	---



# 2.2



# 2.3



# 2.4

