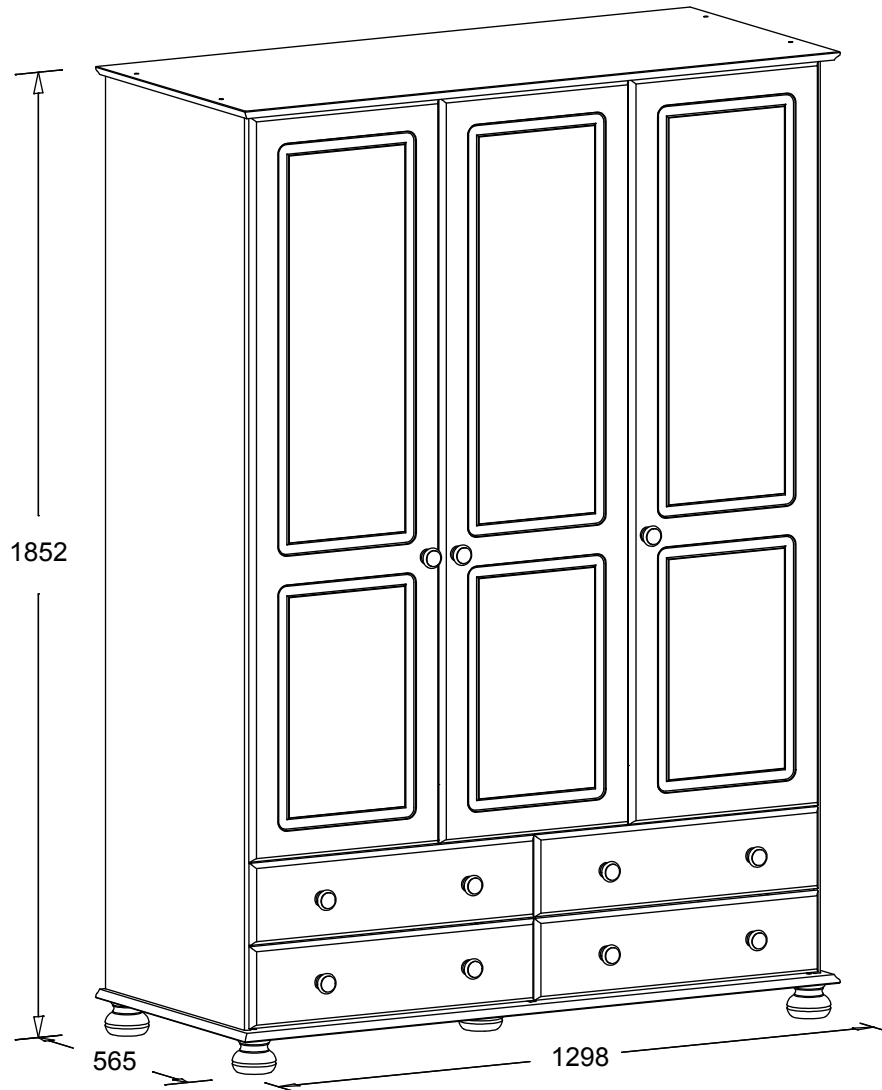
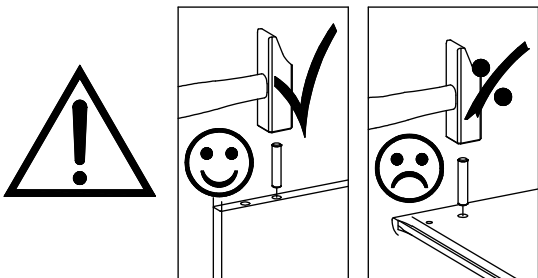


# 3 Door 4 Drawer Wardrobe

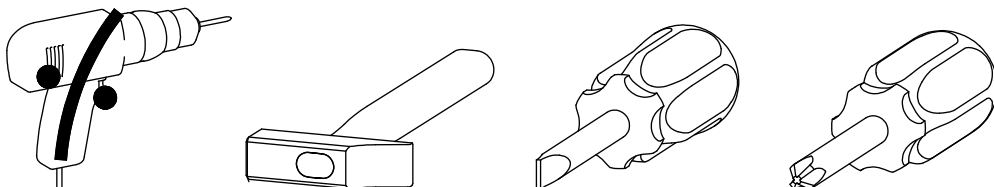
1012201

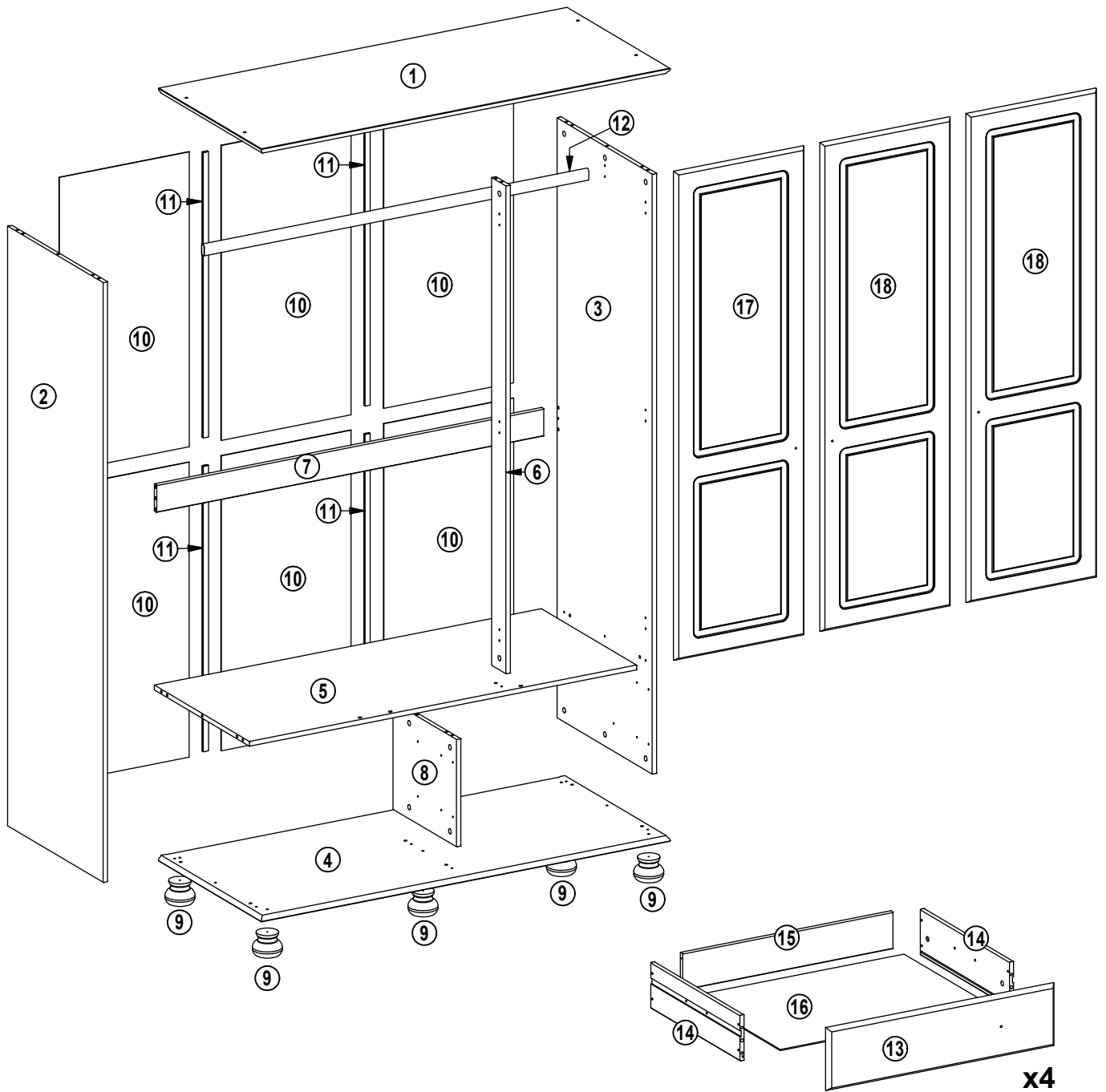


## Important!



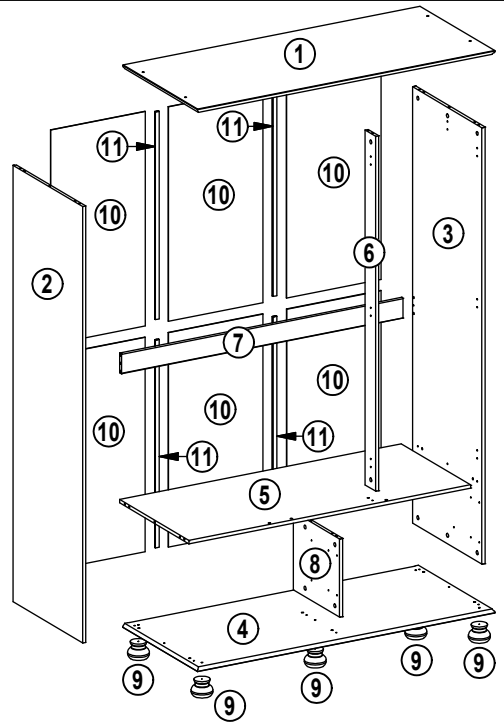
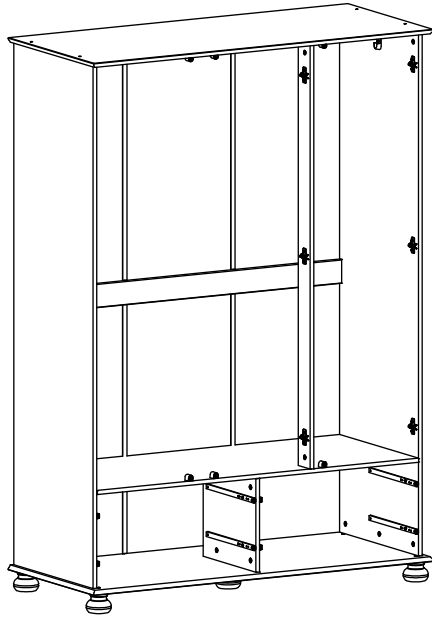
Please, read the assembly instruction carefully, before assembling.



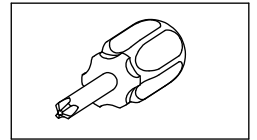
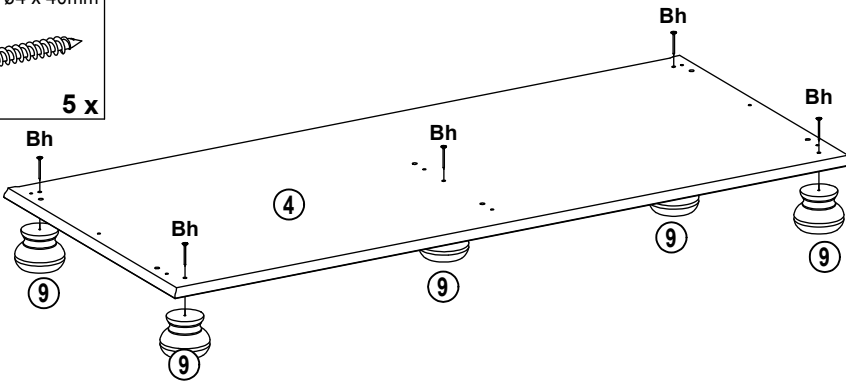
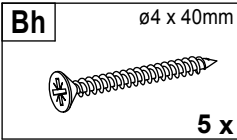


	<b>Aa</b> $\varnothing 7,8 \times 40\text{mm}$  <b>22 x</b>	<b>Ab</b> $\varnothing 6 \times 30\text{mm}$  <b>16 x</b>	<b>Ba</b> $\varnothing 3,5 \times 35\text{mm}$  <b>16 x</b>	<b>Bc</b> $\varnothing 3,5 \times 15\text{mm}$  <b>20 x</b>	<b>Bh</b> $\varnothing 4 \times 40\text{mm}$  <b>5 x</b>
	<b>Bo</b> $\varnothing 3 \times 12\text{mm}$  <b>6 x</b>	<b>Ca</b> $\varnothing 15 \times 10,5\text{mm}$  <b>26 x</b>	<b>Cb</b> $\varnothing 5 \times 8, \text{cc}34\text{mm}$  <b>34 x</b>	<b>Cq</b> $\varnothing 12 \times 9,5\text{mm}$  <b>8 x</b>	<b>Di</b> $1,2 \times 15\text{mm}$  <b>100 x</b>
	<b>Fi</b>  <b>2 x</b>	<b>Gn</b> $\varnothing 39 \times 30\text{mm}$  <b>11 x</b>	<b>Ha</b> $M4 \times 10\text{mm}$  <b>8 x</b>	<b>Jc</b> $\varnothing 4 \times 35\text{mm}$  <b>11 x</b>	<b>Kb</b> $\varnothing 5,8 \times 8\text{mm}$  <b>24 x</b>
	<b>Mc</b> 0mm  <b>9 x</b>	<b>Me</b> $\varnothing 26\text{mm}$  <b>9 x</b>	<b>Pc</b>  <b>6 x</b>	<b>Pd</b> $35 \times 12\text{mm}$  <b>6 x</b>	<b>Sa</b> $310 \times 17 \times 10\text{mm}$  <b>8 x</b>

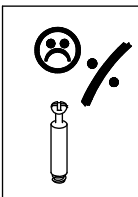
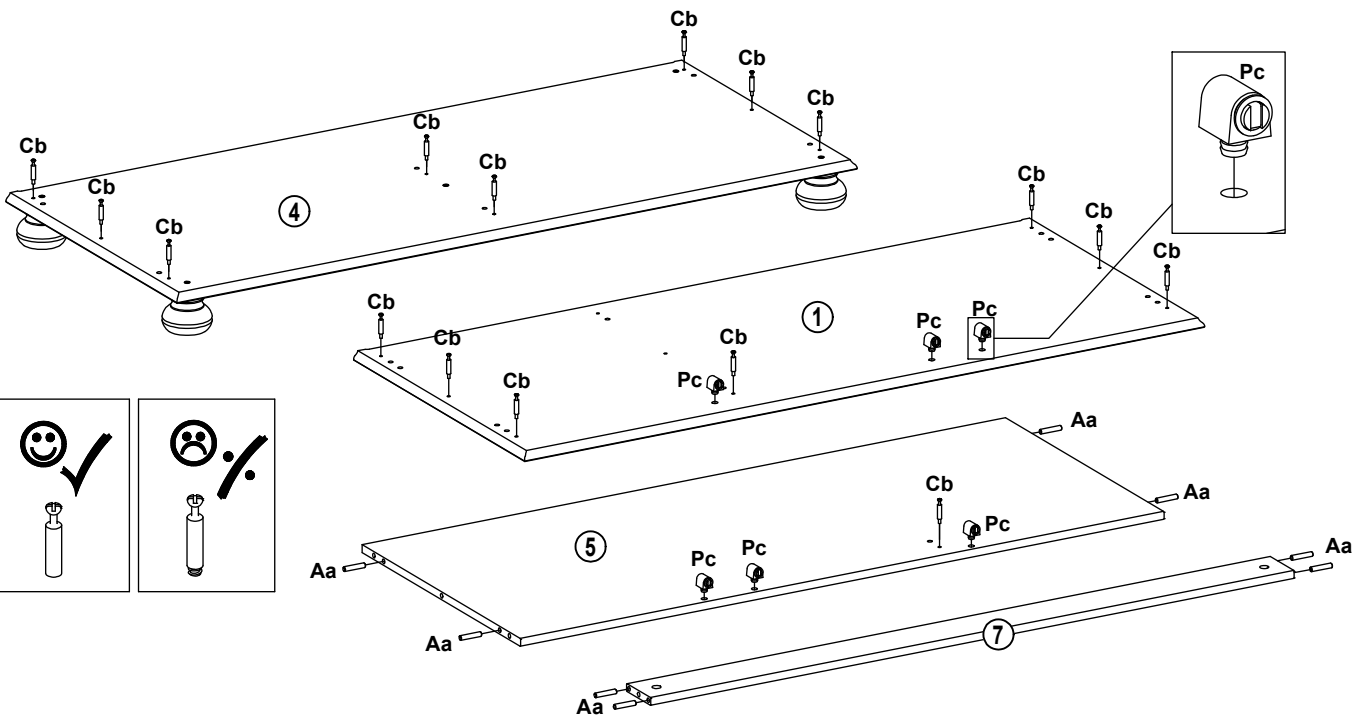
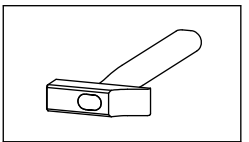
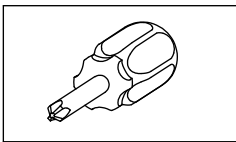
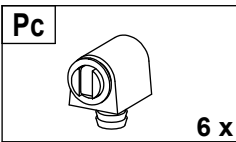
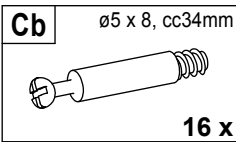
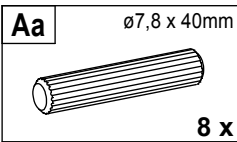
1



1.1



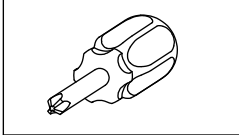
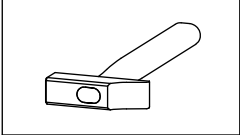
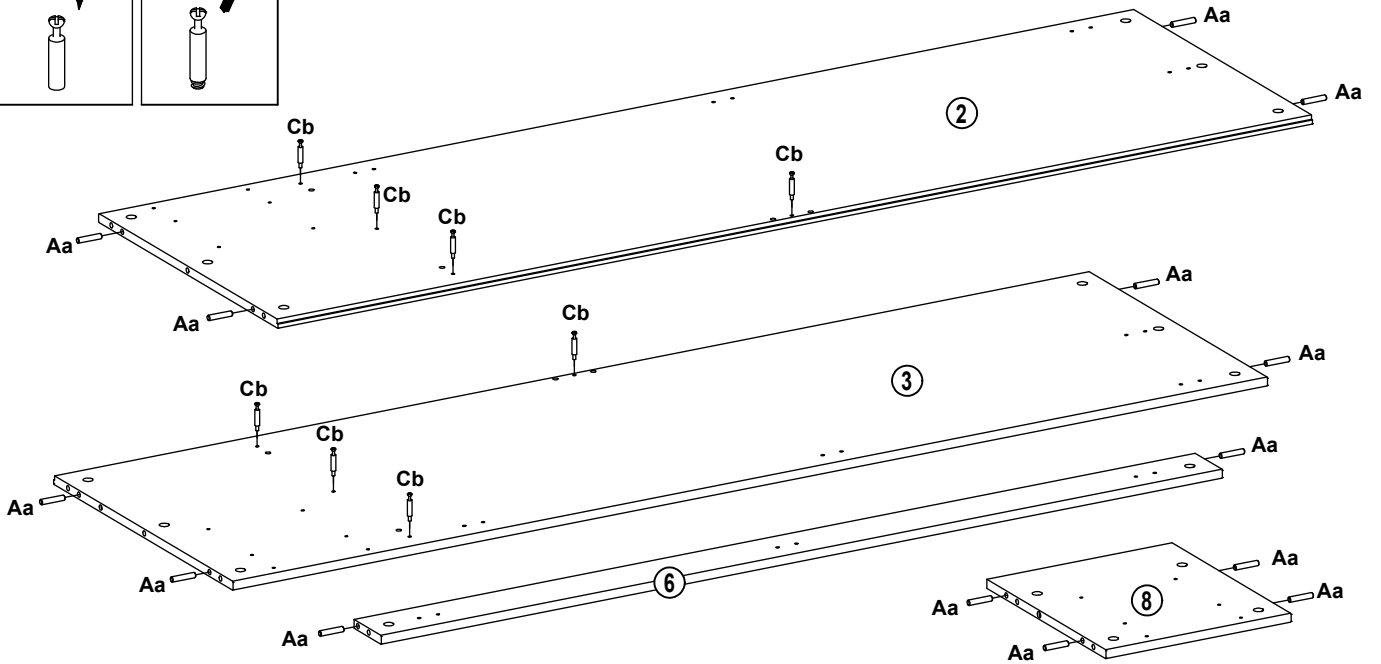
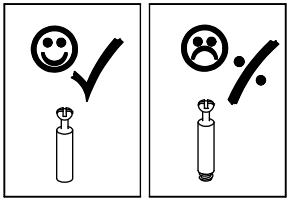
1.2



**1.3**

<b>Aa</b>	ø7,8 x 40mm	<b>Cb</b>	ø5 x 8, cc34mm
-----------	-------------	-----------	----------------

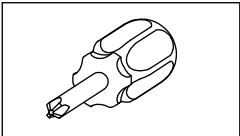
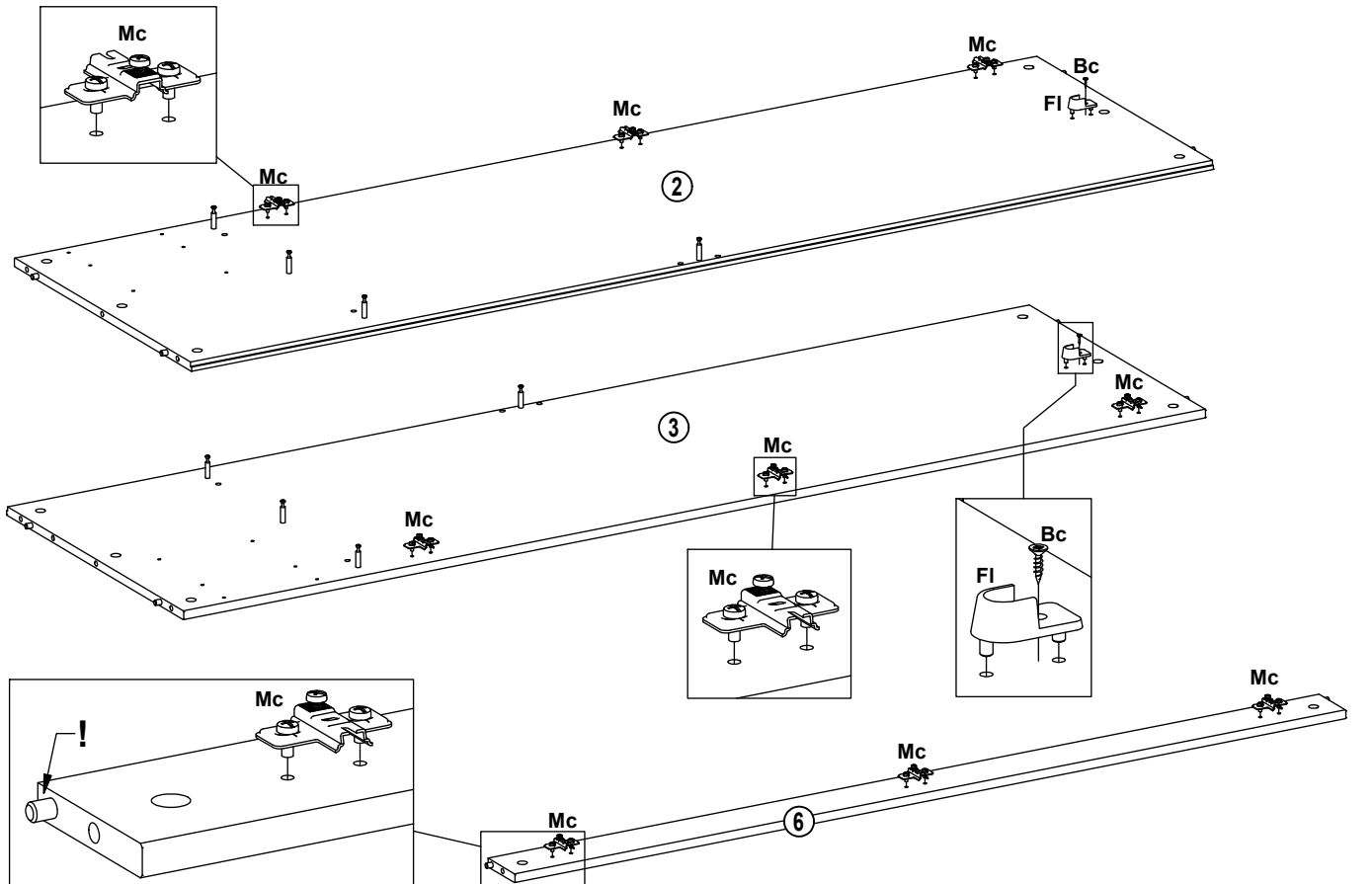
14 x      8 x

**1.4**

<b>Bc</b>	ø3,5 x 15mm	<b>Fl</b>		<b>Mc</b>	0mm
-----------	-------------	-----------	--	-----------	-----

2 x      2 x      9 x

# 1.5

**Kb**

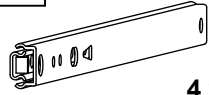
ø5,8 x 8mm



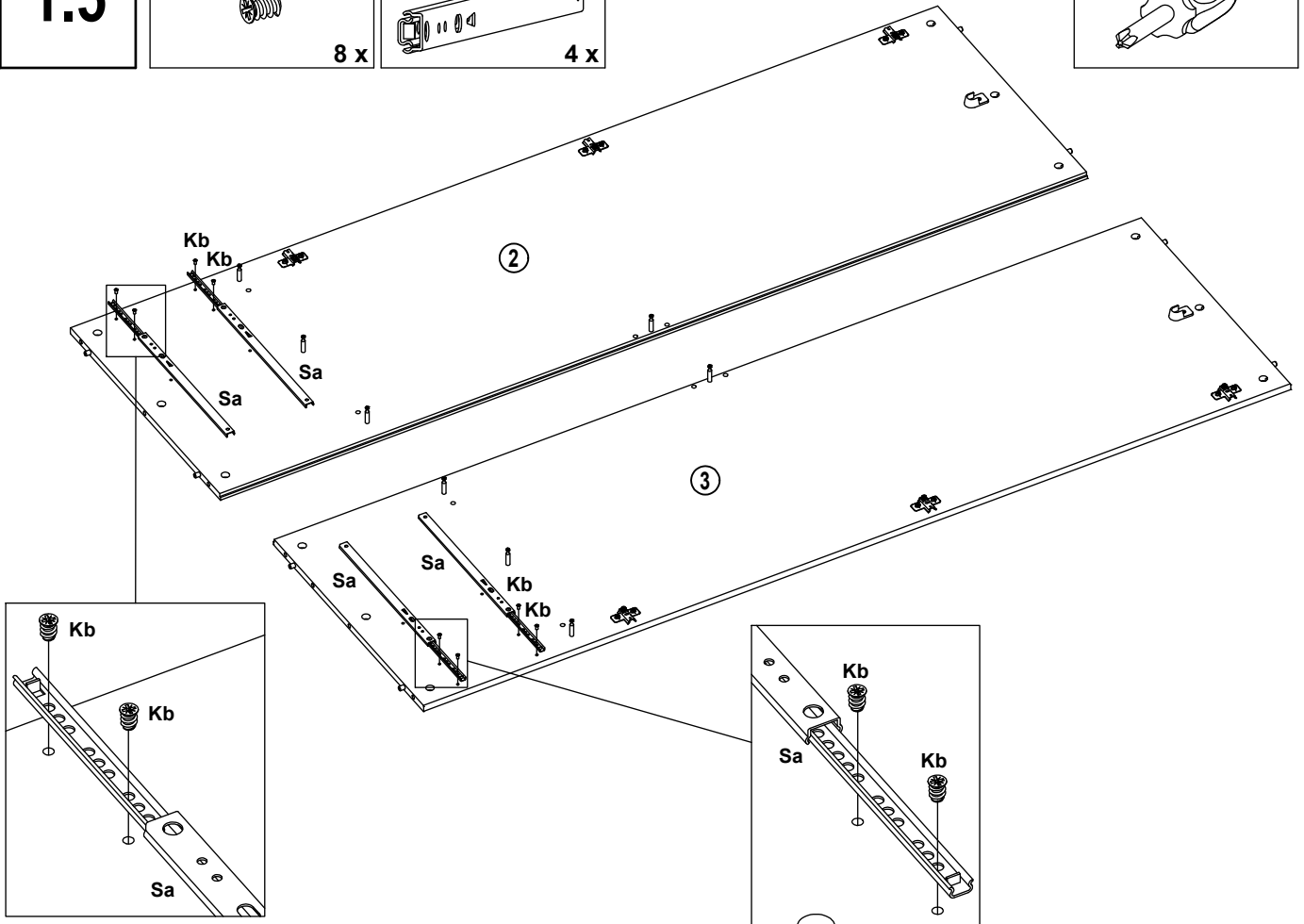
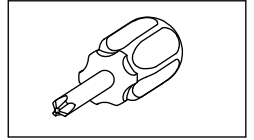
8 x

**Sa**

310 x 17 x 10mm



4 x



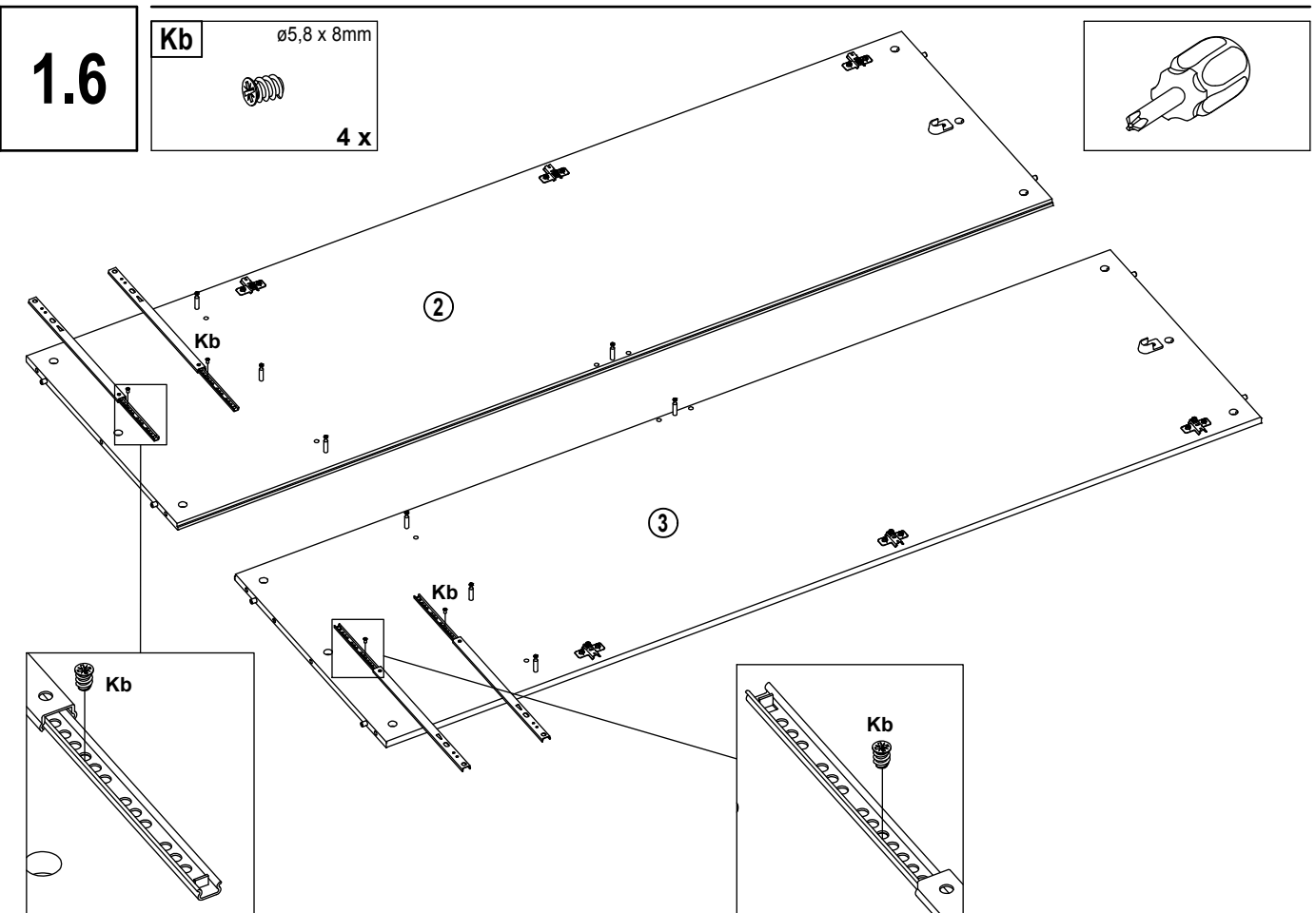
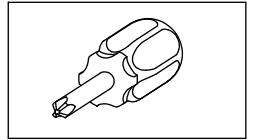
# 1.6

**Kb**

ø5,8 x 8mm



4 x



1.7

Kb

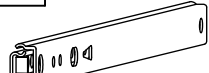
ø5,8 x 8mm



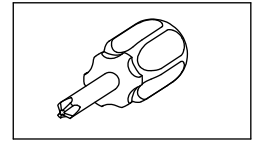
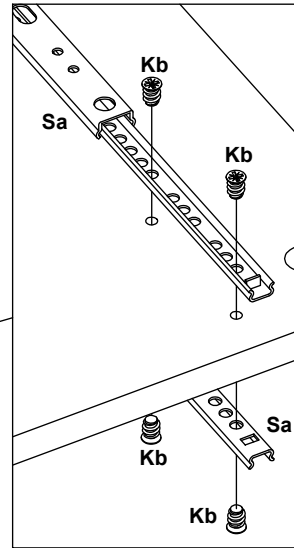
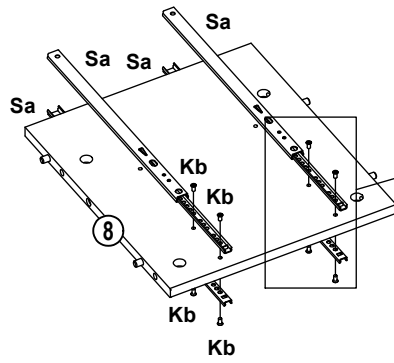
8 x

Sa

310 x 17 x 10mm



4 x



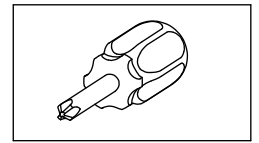
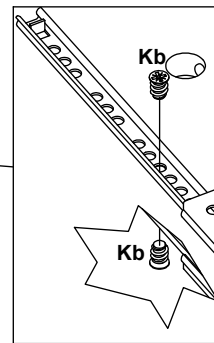
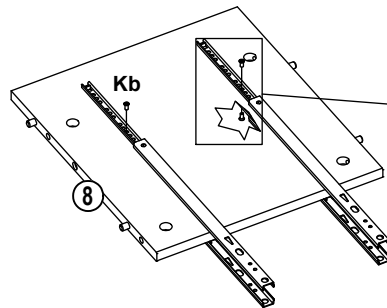
1.8

Kb

ø5,8 x 8mm



4 x



1.9

Ca

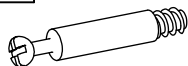
ø15 x 10,5mm



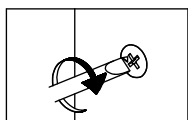
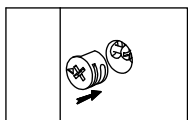
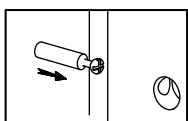
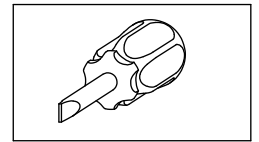
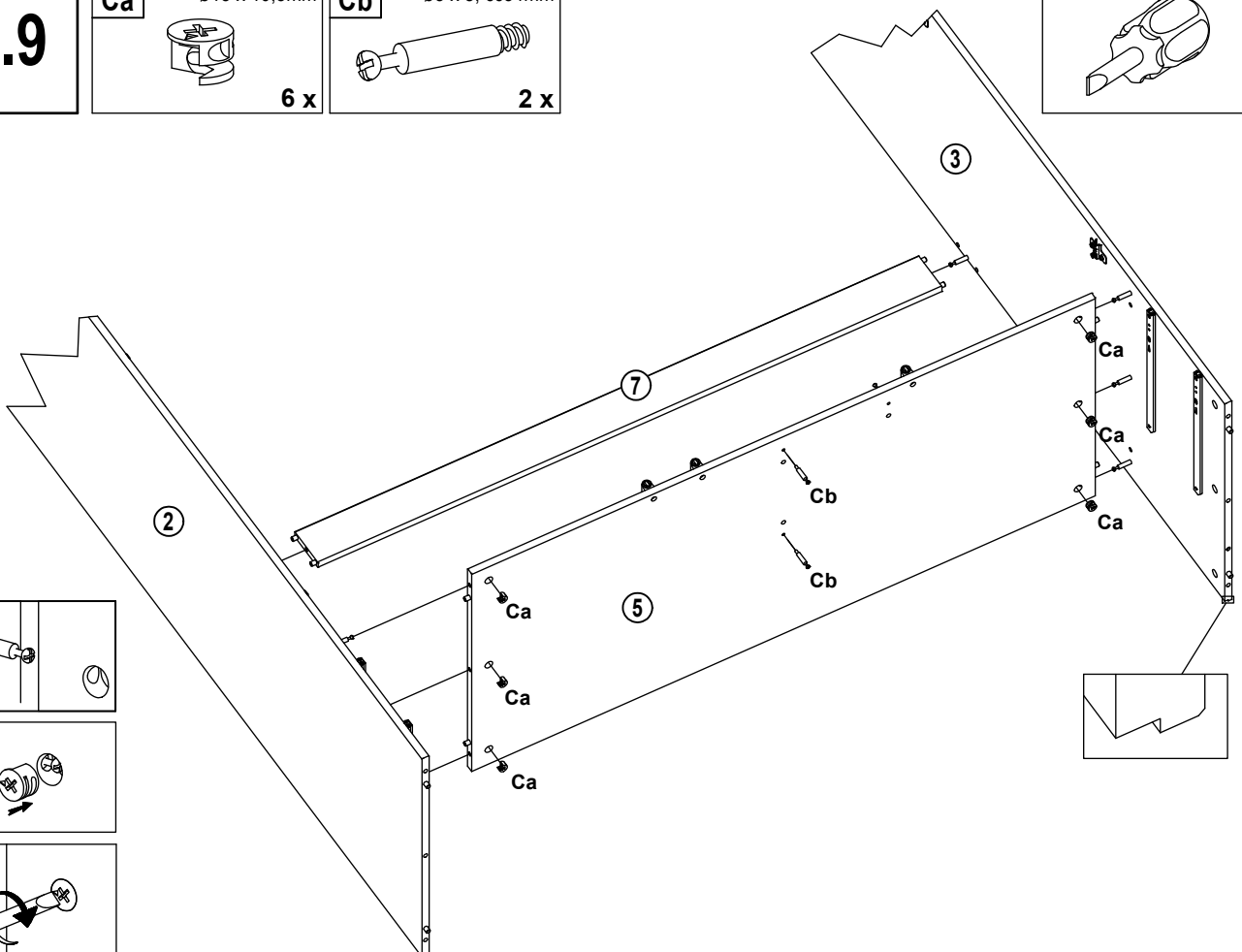
6 x

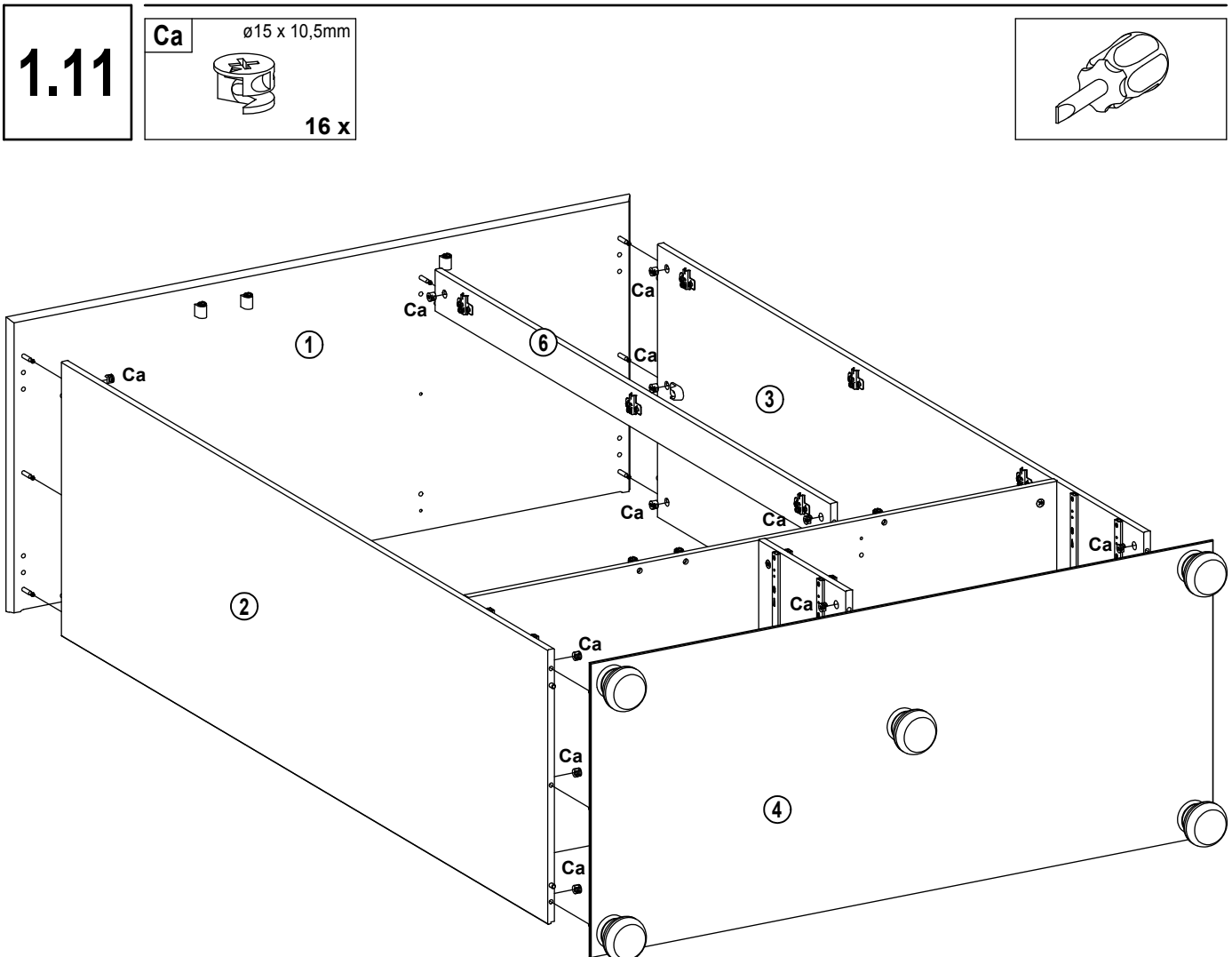
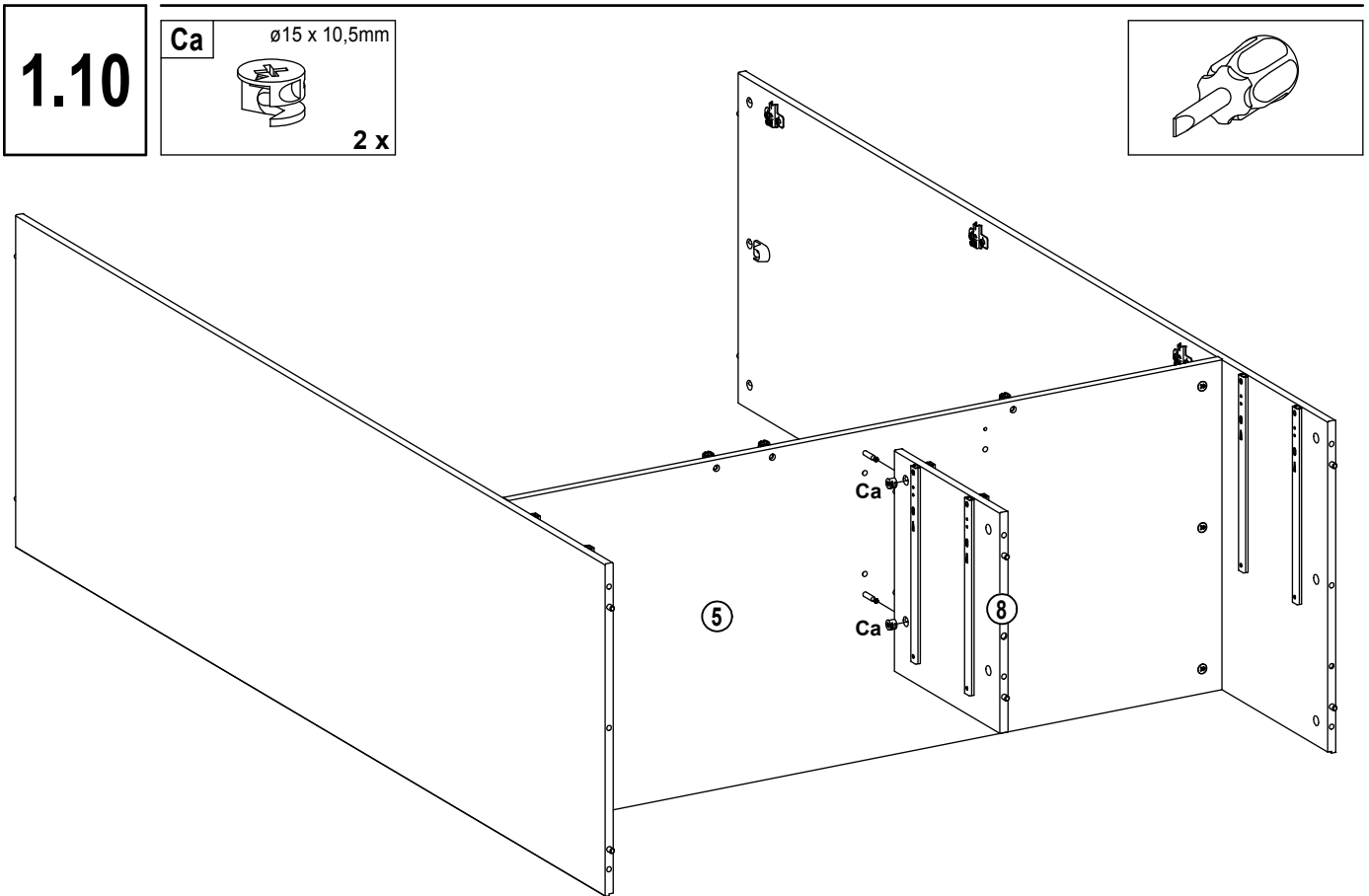
Cb

ø5 x 8, cc34mm




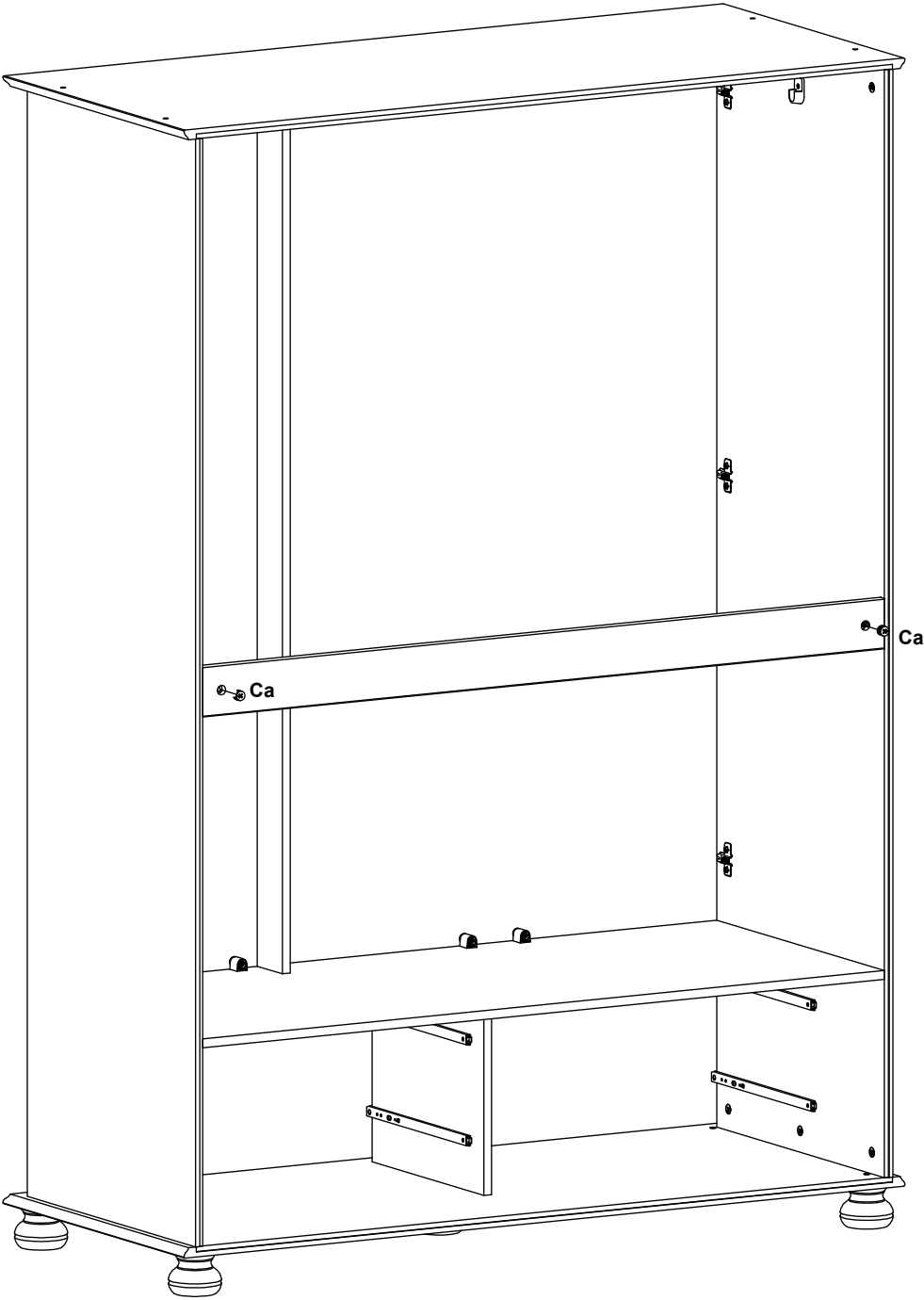
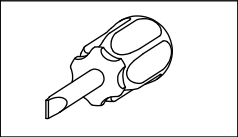
2 x






**1.12**

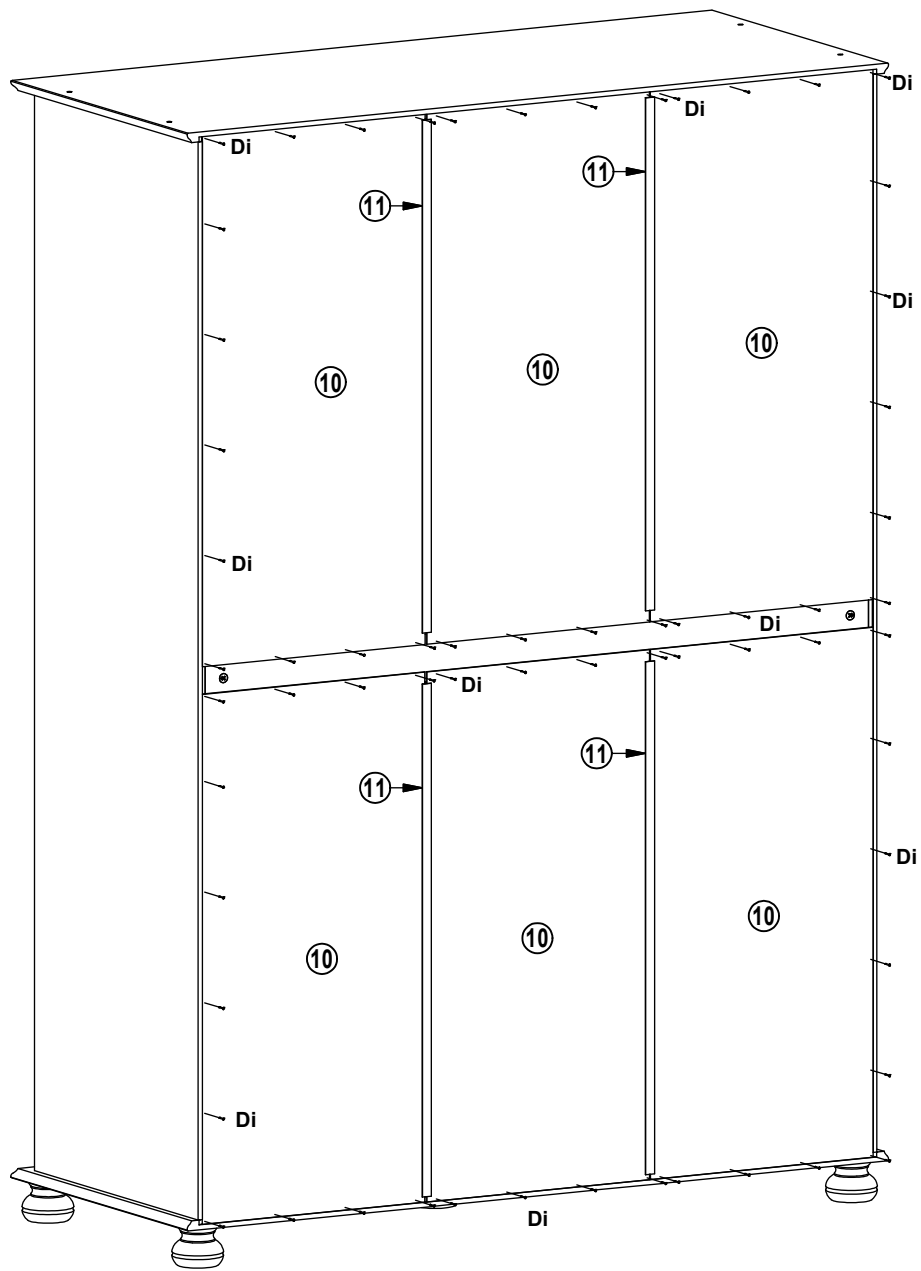
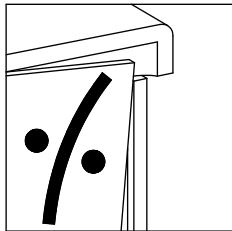
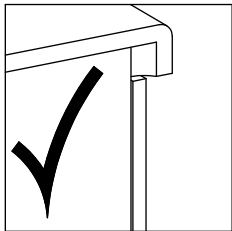
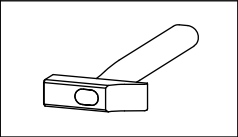
**Ca**     $\varnothing 15 \times 10,5\text{mm}$   
  
**2 x**



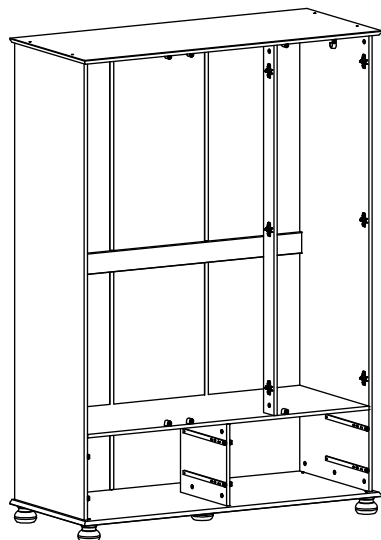


# 1.13

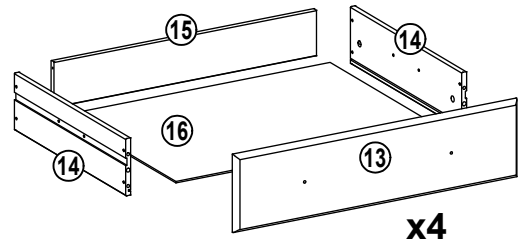
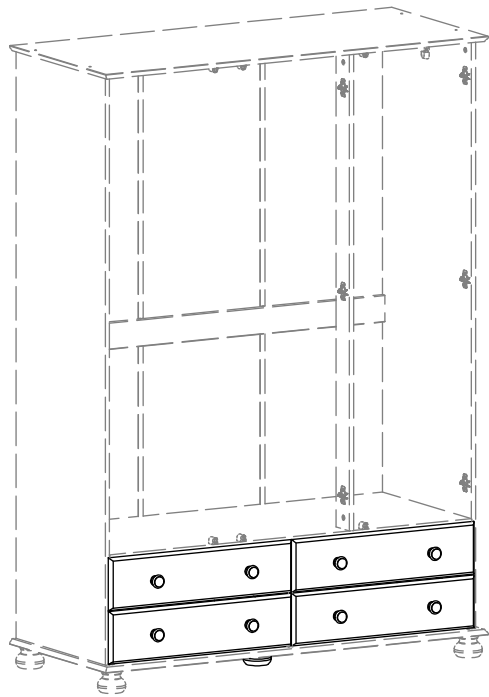
Di 1,2 x 15mm  
  
64 x



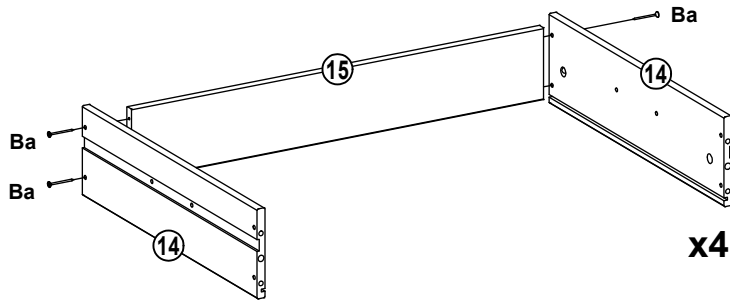
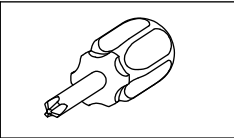
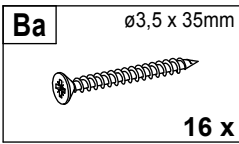
# 1.14



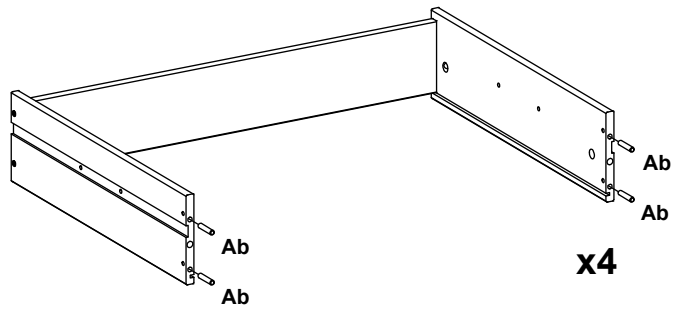
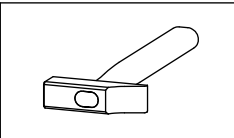
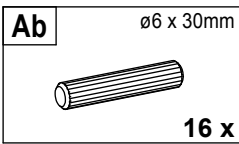
2



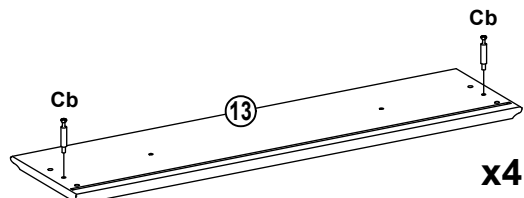
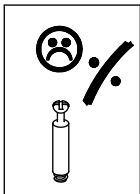
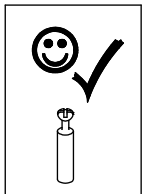
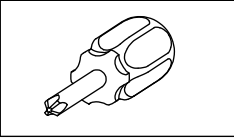
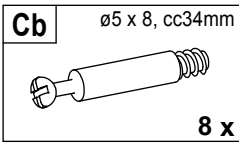
2.1



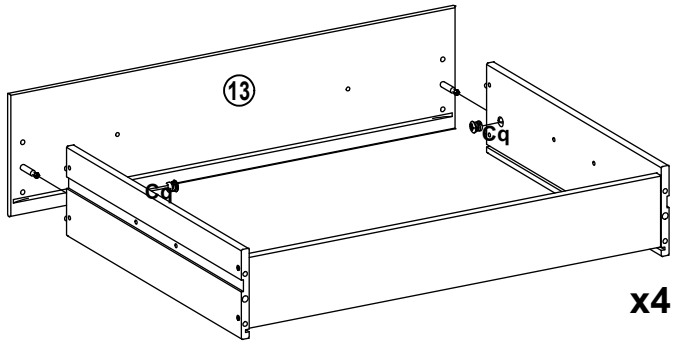
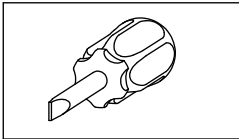
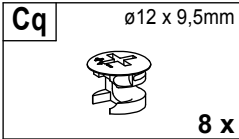
2.2



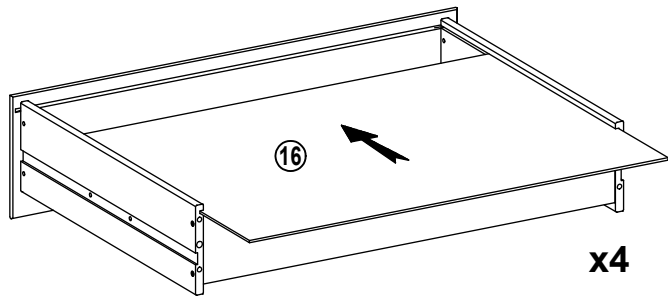
2.3



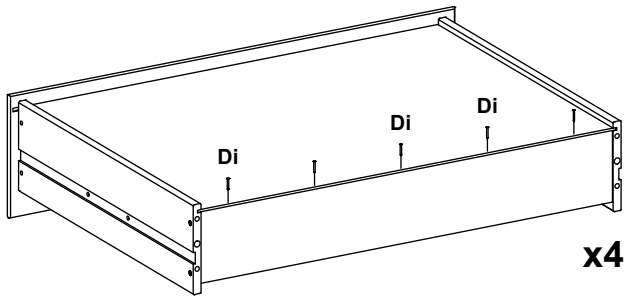
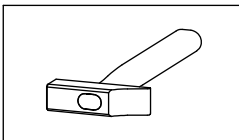
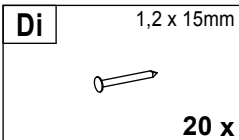
**2.4**



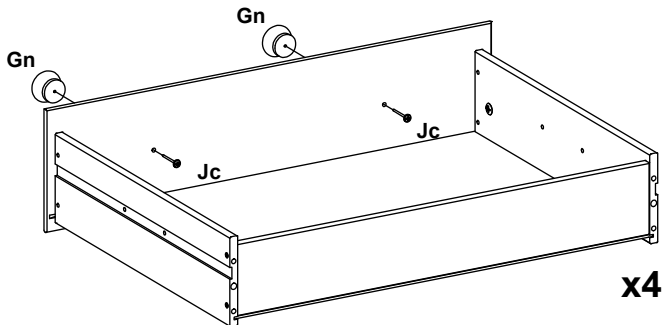
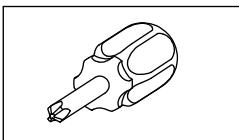
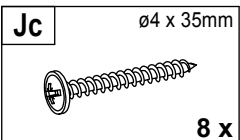
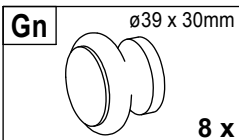
**2.5**



**2.6**

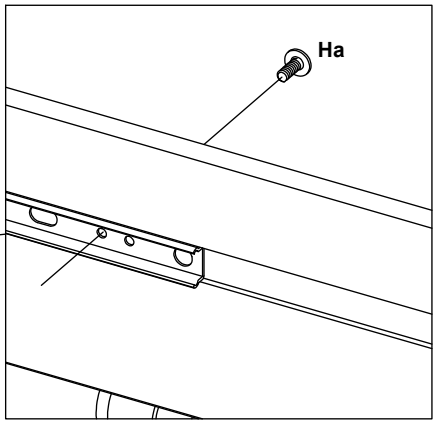
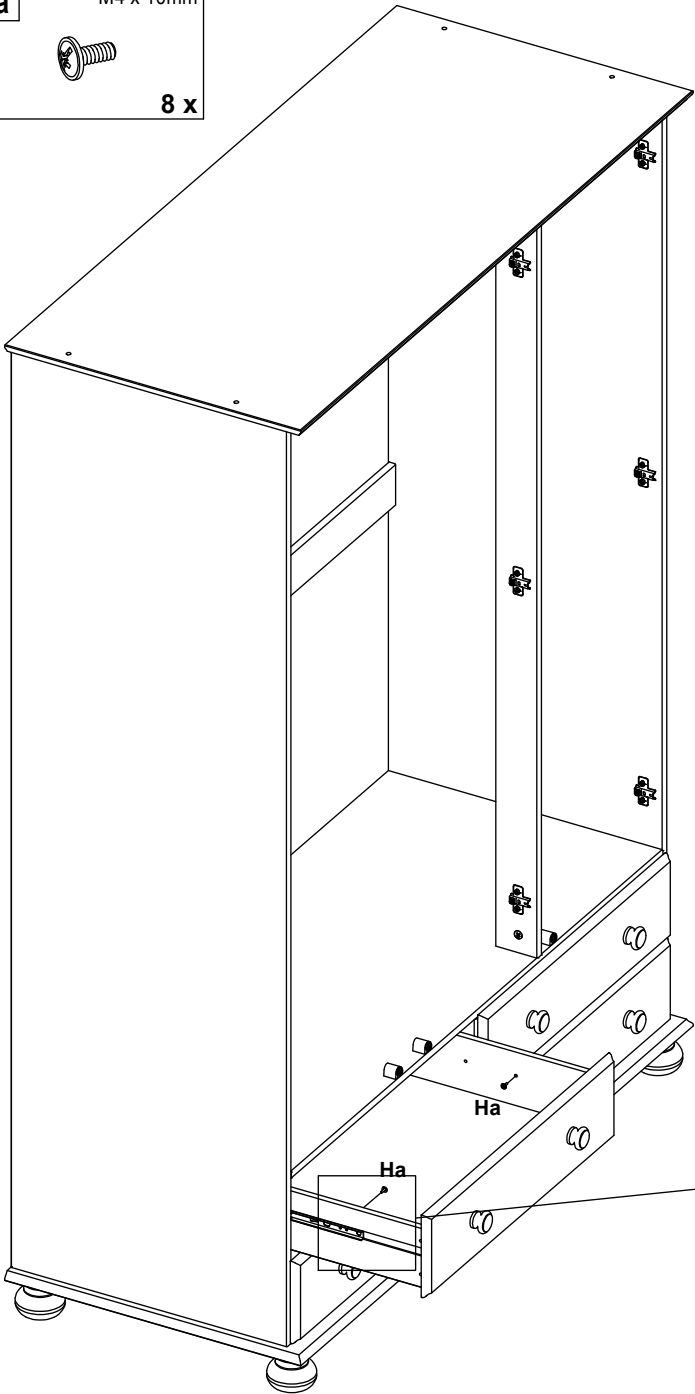
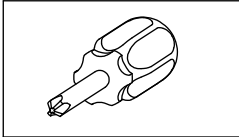


**2.7**

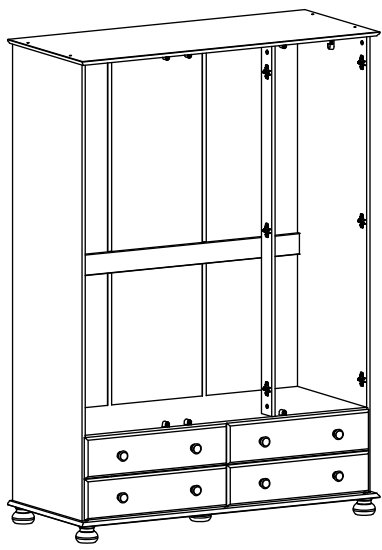


**2.8**

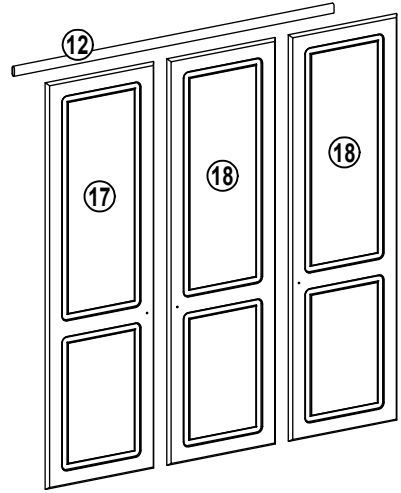
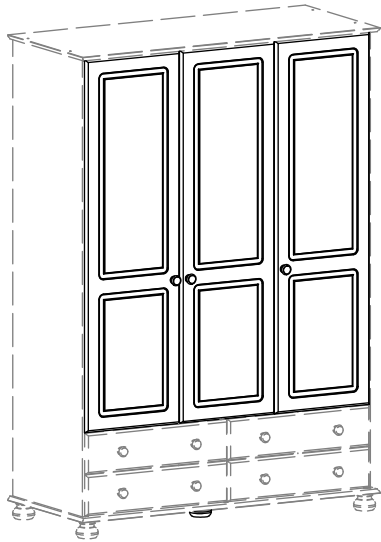
Ha M4 x 10mm  
8 x




**2.9**





3




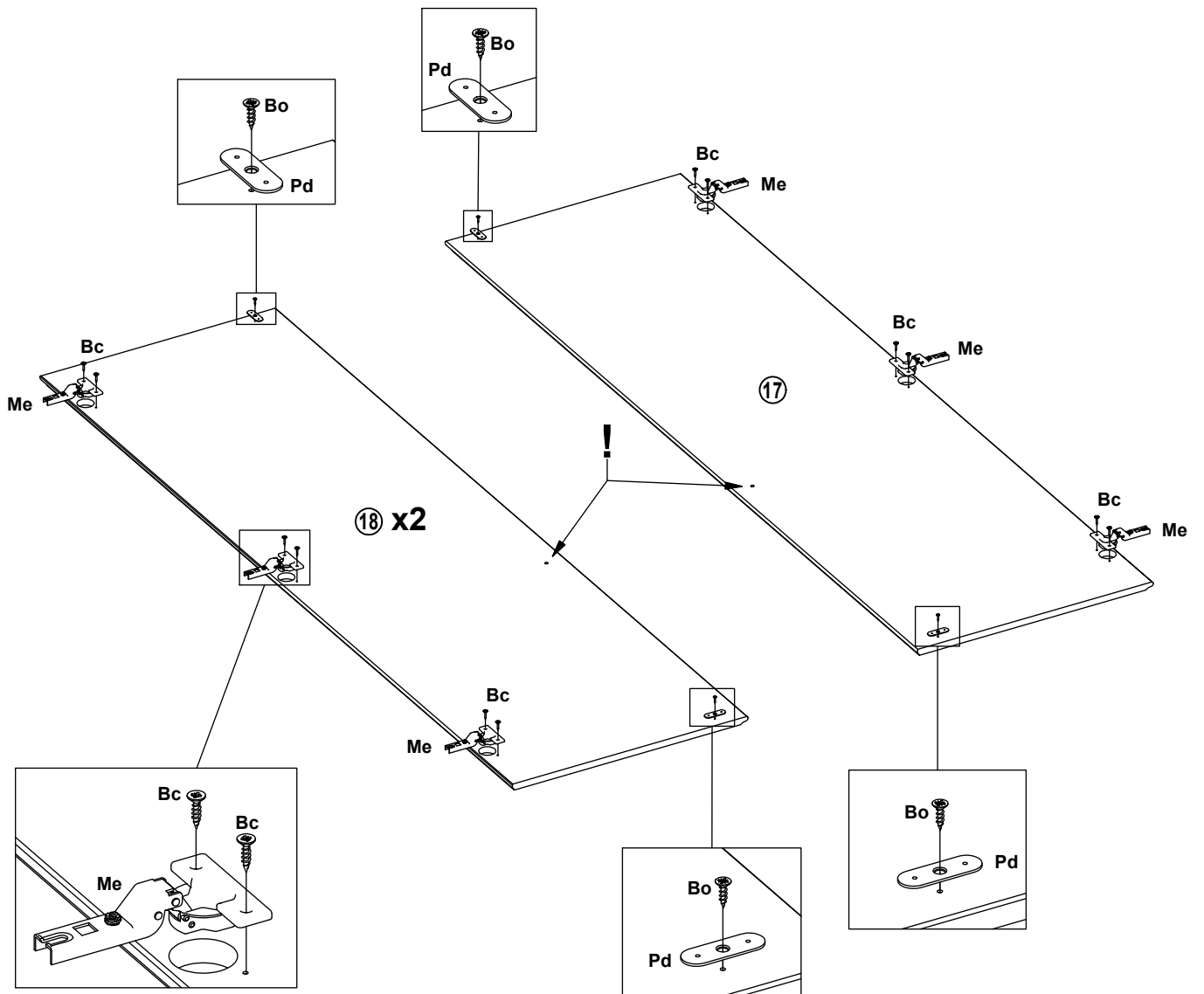
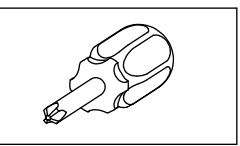
3.1

**Bc**     $\varnothing 3,5 \times 15\text{mm}$   
  
18 x

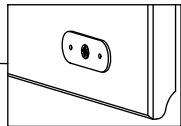
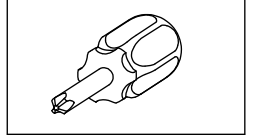
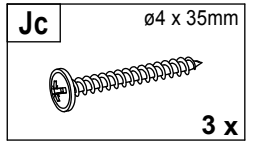
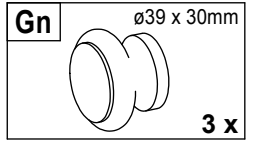
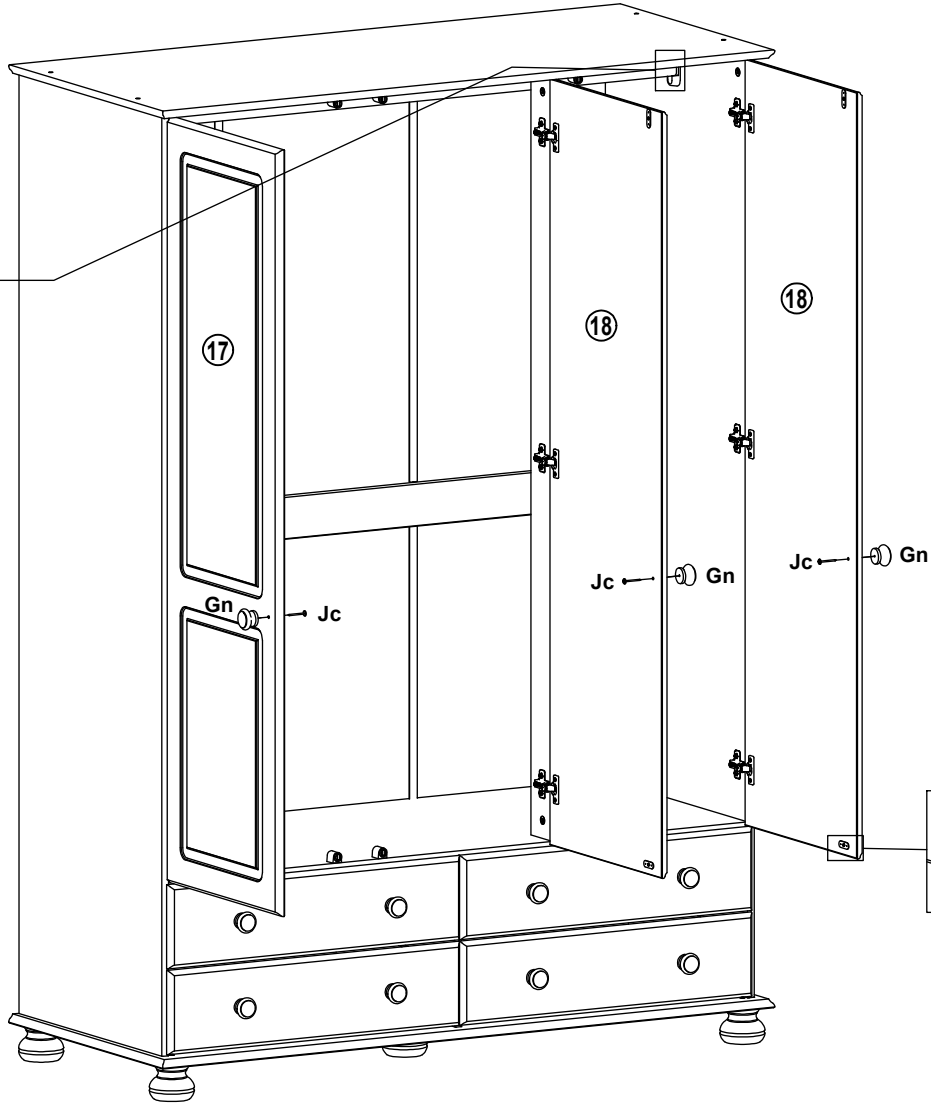
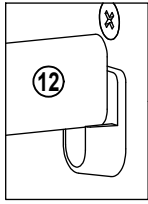
**Bo**     $\varnothing 3 \times 12\text{mm}$   
  
6 x

**Me**     $\varnothing 26\text{mm}$   
  
9 x

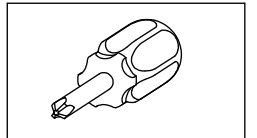
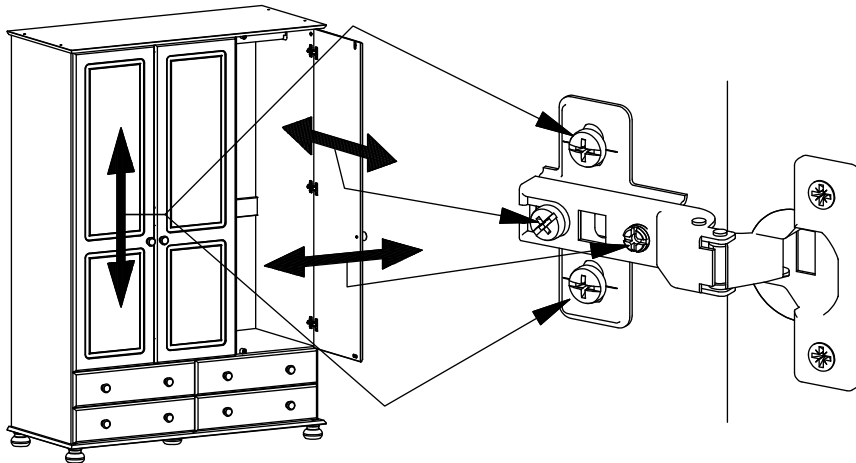
**Pd**     $35 \times 12\text{mm}$   
  
6 x



3.2



3.3



3.4

